



ORIGINAL INSTRUCTIONS

TABLE OF CONTENTS

Welcome to Lumberjack!

Dear Customer, Congratulations on your purchase. Before using the product for the first time please be sure to read these instructions for use.

They provide you with all information necessary for using the product safely and to ensure its long service life.

Closely observe all safety information in these instructions!

General Power Tool Safety Warnings.....	01 - 03
Symbols	04
Machine Details and Includes	05
Operation.....	06 - 07
Applications.....	07 - 08
Trouble Shooting.....	09
Maintenance and Service.....	10
Lumberjack Guarantee.....	11 - 12
Declaration of Conformity.....	13
Parts List.....	14
Parts Diagram.....	15

GENERAL POWER TOOL SAFETY WARNINGS

WARNING Read all safety warnings and all instructions. Failure to follow the warnings and instructions may result in electric shock, fire and/or serious injury.

Save all warnings and instructions for future reference. The term "power tool" in the warnings refers to your electric (corded) power tool or battery-operated (cordless) power tool.

1. Work area safety

a) Keep work area clean and well lit. Cluttered or dark areas invite accidents.

b) Do not operate power tools in explosive atmospheres, such as in the presence of flammable liquids, gases or dust. Power tools create sparks which may ignite the dust or fumes.

c) Keep children and bystanders away while operating a power tool. Distractions can cause you to lose control.

2. Electrical safety

a) Power tool plugs must match the outlet. Never modify the plug in any way. Do not use any adapter plugs with grounded power tools. Unmodified plugs and matching outlets will reduce risk of electric shock.

b) Avoid body contact with grounded surfaces, such as pipes, radiators, ranges and refrigerators. There is an increased risk of electric shock if your body is grounded.

c) Do not expose power tools to rain or wet conditions. Water entering a power tool will increase the risk of electric shock.

d) Do not abuse the cord. Never use the cord for carrying, pulling or unplugging the power tool. Keep cord away from heat, oil, sharp edges or moving parts. Damaged or entangled cords increase the risk of electric shock.

e) When operating a power tool outdoors, use an extension cord suitable for outdoor use. Use of a cord suitable for outdoor use reduces the risk of electric shock.

f) If operating a power tool in a damp location is unavoidable, use a residual current device (RCD) protected supply. Use of an RCD reduces the risk of electric shock.

3. Personal safety

a) Stay alert, watch what you are doing and use common sense when operating a power tool. Do not use a power tool while you are tired or under the influence of drugs, alcohol or medication. A moment of inattention while operating power tools may result in serious personal injury.

b) Use personal protective equipment. Always wear eye protection. Protective equipment such as dust mask, non-skid safety shoes, hard hat, or hearing protection used for appropriate conditions will reduce personal injuries.

c) Prevent unintentional starting. Ensure the switch is in the off position before connecting to power source and/or battery pack, picking up or carrying the tool. Carrying power tools with your finger on the switch or energising power tools that have the switch on invites accidents.

d) Remove any adjusting key or wrench before turning the power tool on. A wrench or a key left attached to a rotating part of the power tool may result in personal injury.

GENERAL POWER TOOL SAFETY WARNINGS

e) Do not overreach. Keep proper footing and balance at all times. This enables better control of the power tool in unexpected situations.

f) Dress properly. Do not wear loose clothing or jewellery. Keep your hair, clothing and gloves away from moving parts. Loose clothes, jewellery or long hair can be caught in moving parts.

g) If devices are provided for the connection of dust extraction and collection facilities, ensure these are connected and properly used. Use of dust collection can reduce dust-related hazards.

4. Power tool use and care

a) Do not force the power tool. Use the correct power tool for your application. The correct power tool will do the job better and safer at the rate for which it was designed.

b) Do not use the power tool if the switch does not turn it on and off. Any power tool that cannot be controlled with the switch is dangerous and must be repaired.

c) Disconnect the plug from the power source and/or the battery pack from the power tool before making any adjustments, changing accessories, or storing power tools. Such preventive safety measures reduce the risk of starting the power tool accidentally.

d) Store idle power tools out of the reach of children and do not allow persons unfamiliar with the power tool or these instructions to operate the power tool. Power tools are dangerous in the hands of untrained users.

e) Maintain power tools. Check for misalignment or binding of moving parts, breakage of parts and any other condition that may affect the power tool's operation. If damaged, have the power tool repaired before use. Many accidents are caused by poorly maintained power tools.

f) Keep cutting tools sharp and clean. Properly maintained cutting tools with sharp cutting edges are less likely to bind and are easier to control.

g) Use the power tool, accessories and tool bits etc. in accordance with these instructions, taking into account the working conditions and the work to be performed. Use of the power tool for operations different from those intended could result in a hazardous situation.

5. Service

a) Have your power tool serviced by a qualified repair person using only identical replacement parts. This will ensure that the safety of the power tool is maintained.

b) If the replacement of the supply cord is necessary, this has to be done by the manufacturer or its agent in order to avoid a safety hazard.

6. Additional Safety and Working Instructions

6.1 Dusts from materials such as lead-containing coatings, some wood types, minerals and metals can be harmful to one's health and cause allergic reactions, leading to respiratory infections and/or cancer. Materials containing asbestos may only be worked by specialists. Observe the relevant regulations in your country for the materials to be worked.

GENERAL POWER TOOL SAFETY WARNINGS

6.2 Prevent dust accumulation at the workplace.

Dust can easily ignite.

7 Additional Warnings for Sanders

7.1 Harmful/toxic dusts will arise from sanding e.g. lead painted surfaces, woods and metals.

Contact with or inhalation of these dusts can endanger the health of operator and bystanders. Always use eye glasses and dust mask.

7.2 Hearing protection should be worn when using the sander.

7.3 Always wear safety glasses or eye shields

when using the sander. Everyday eyeglasses have only impact-resistant lenses; they are not safety glasses. Following this rule will reduce the risk of serious personal injury.

7.4 Remove the plug from the socket before carrying out any adjustment, servicing or maintenance.

7.5 Fully unwind cable drum extensions to avoid potential overheating.

8.6 When an extension cable is required you must ensure it has the correct ampere rating for your power tool and is in a safe electrical condition.

7.7 Ensure your mains supply voltage is same as indicated on the rating plate.

7.8 Your tool is double insulated for additional protection against a possible electrical insulation failure within the tool.

7.9 Always check walls, floors and ceilings to avoid hidden power cables and pipes.

7.10. After long working period's external metal parts and accessories could be hot.

7.11 If possible, ensure the work-piece is firmly clamped to prevent movement.

7.12 Your sander is a hand held tool, do not clamp your sander.

7.13 Before sanding, check the area is free of nails, screws, etc.

7.14 Never stop the sander by applying a force to the base plate.

7.15 Only use paper in good condition. Do not use torn or worn paper.

8.16 Do not sand material containing asbestos due to a health risk.

7.17 Do not sand lead based paint due to the risk of lead poisoning.

7.18 Do not eat or drink in the working area of the sander.

7.19 Do not allow people to enter the working area without wearing a dust mask.

7.20 Where possible, seal off the working area to contain the dust for later removal.

7.21 Your tool is designed for dry sanding only, not wet sanding.

7.22 Your tool is designed for general purpose light polishing of wood and metals.

7.23 Do not sand magnesium material due to the risk of fire.

SYMBOLS



Danger! – Read the operating instructions to reduce the risk of injury.



Caution! Wear safety goggles.



Caution! Wear ear defenders. The impact of noise can cause damage to hearing.



Caution! Risk of Injury!



Caution! Wear a dust mask.

MACHINE DETAILS AND INCLUDES

Machine Details

Specifications:

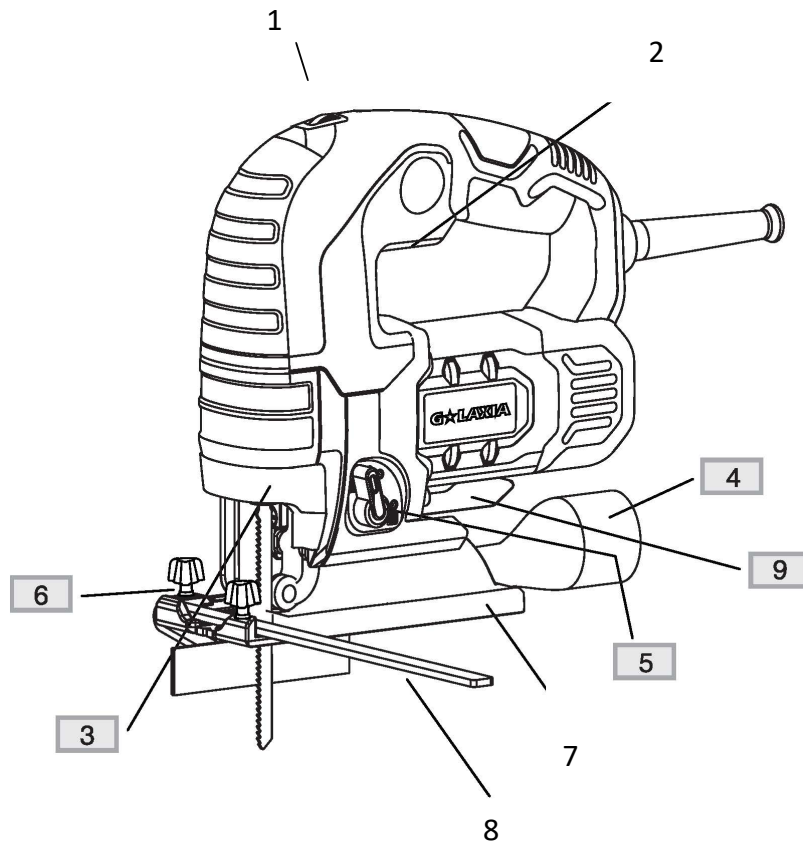
Mains Voltage -	240V 12W
Power Consumption -	750W
No load Speed-	800 - 3000 RPM
Stroke Length-	26
Wood (mm)	100
Steel (mm)	10
Weight -	2kg

Intended Use

The machine has been designed for the use of sanding wood, plastics, metal and painted surfaces.

Includes.

1. Variable speed dial
2. On/off trigger switch
3. Tool-free blade change
4. Vacuum adapter
5. Pendulum action
6. Locking knob edge guide
7. Base plate
8. Edge guide
9. Bevel adjustment



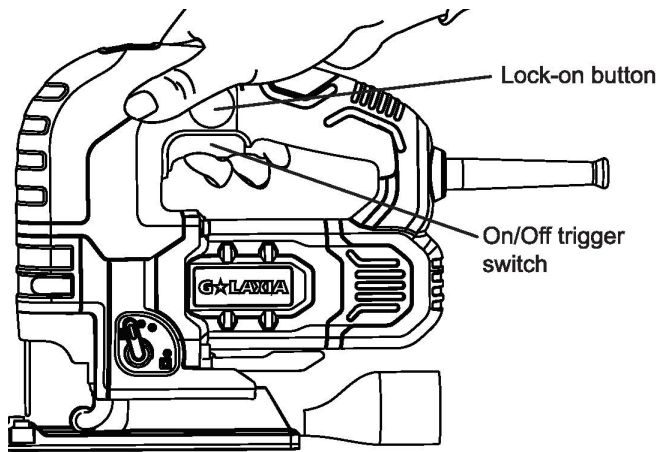
OPERATING INSTRUCTIONS

1. POWER SUPPLY

The power tool supply must match the nameplate date.

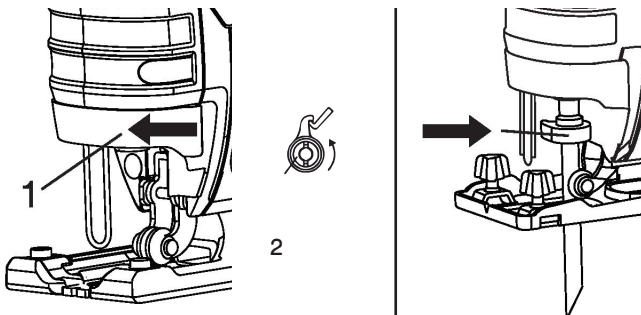
2. SWITCHING ON AND OFF

- 1) Depress the trigger switch to turn on the jig saw.
- 2) Depress the lock-on button while the trigger switch is depressed to keep the saw for continuously operation.
- 3) Release the trigger switch to turn off the saw.



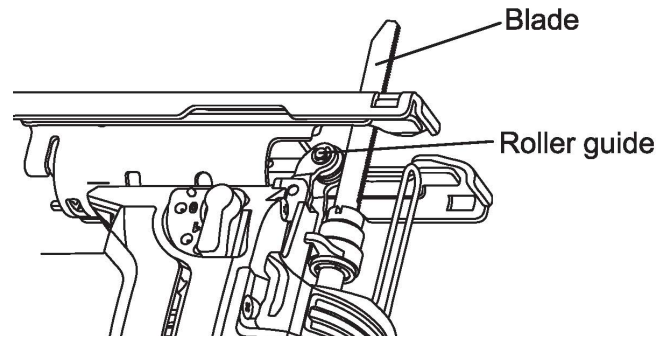
3. INSTALLING OR REMOVING THE BLADE

WARNING: Failure to unplug the saw from the power source when assembling parts, making adjustments or changing blades could result in accidental starting causing possible serious injury.



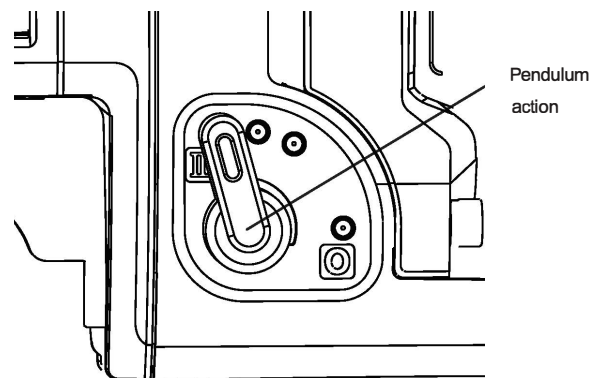
REMOVING THE BLADE

Follow steps of Tool-Free Blade Installation (above). Carefully remove the blade.



4. ORBITAL ACTION SETTINGS

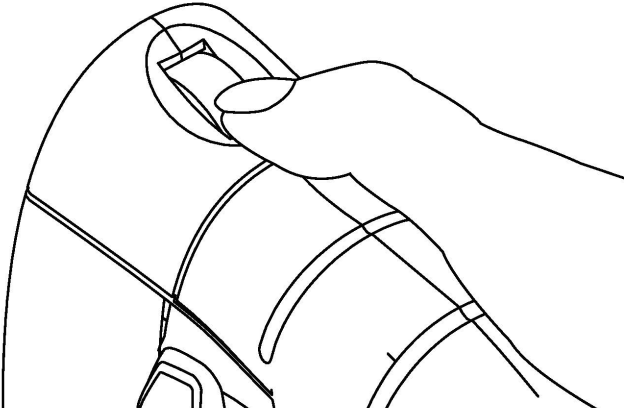
This saw is equipped with an orbital control that allows you to choose the best cutting action for your material. Simply turn the lever to the desired position for the type of cut you are making. Turn the lever to a higher setting to increase the orbital action. Turn the lever to a lower setting to decrease the orbital action. There are four orbital action cutting settings that can be chosen according to different types of material.



OPERATING INSTRUCTIONS & APPLICATIONS

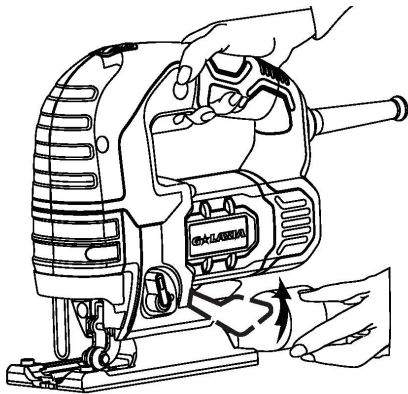
5. VARIABLE-SPEED SETTINGS

Determine the optimum speed for cutting your workpiece by making a trial cut in a scrap piece of the same material. Experience will help you to determine the best results for a particular application. However, as a general rule, use slower speeds for harder, denser materials, and faster speeds for softer material. The variable speed feature of this jigsaw enhances the cutting performance, and saves the blade from undue wear.



6. SAWDUST REMOVAL

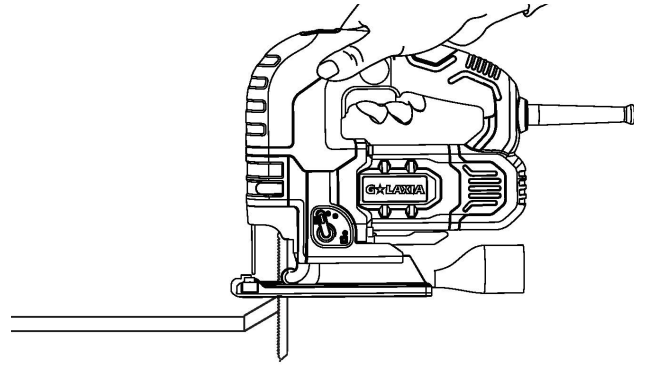
Use the detachable vacuum adapter (dust port) to remove dust and chips from the immediate workspace in order to help keep the cutting line clear.



APPLICATIONS.

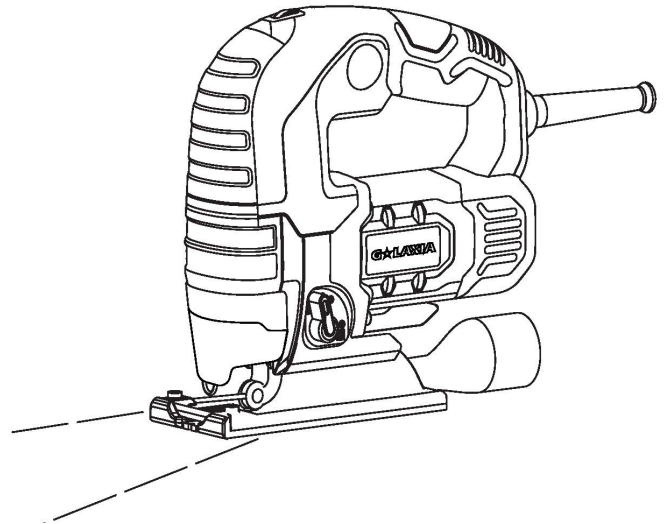
1. GENERAL CUTTING

Place the jig saw on the workpiece to cut with the base against the workpiece. Slowly push the saw with a little pressure forward along the cutting line drawn first.



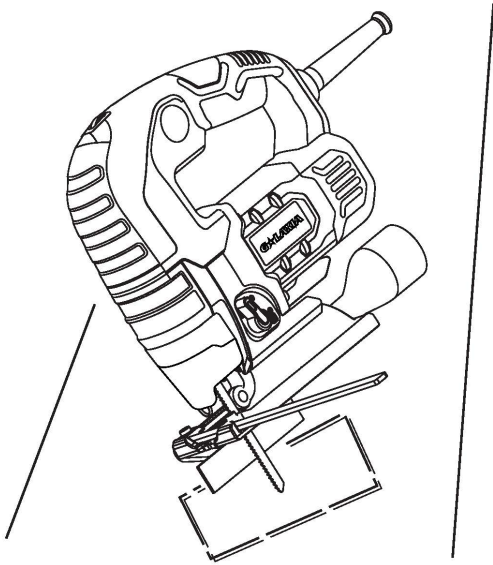
2. PLUNGE CUTTING

The plunge cutting can be achieved by two methods. 1) Drill a hole about 12 mm for beginning. Insert the blade into the hole for cutting.



APPLICATIONS

2) Hold saw firmly and tilt it forward so the toe of the steel base rests on the workpiece. Start the saw and then gradually lower the blade. When the blade touches the workpiece, continue pressing down on the toe of the steel base. Slowly pivot the saw like a hinge until the blade cuts through and the base rests flat on the workpiece. Then begin sawing along the cut line.

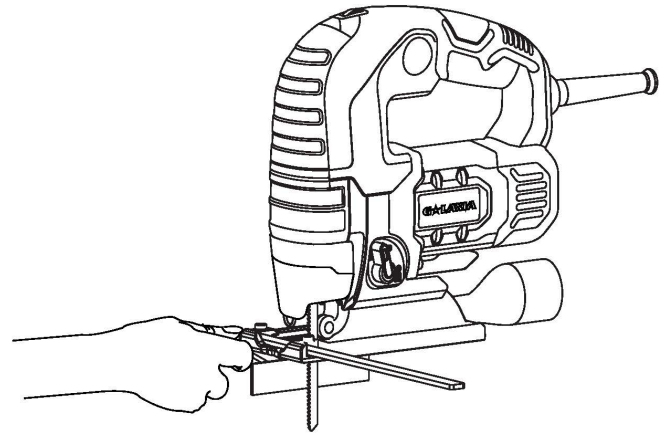


3. METAL CUTTING

When cutting metals, ideally an oil grease is needed. If not, this may shorten the blade lifespan.

4. PARALLEL GUIDE

This saw can be used with a parallel guide for quickly straight cutting. Set the desired cutting width as the scale value on the inside edge of the base plate.



Trouble Shooting

PROBLEMS	REASONS	WAYS TO SOLVE THE PROBLEMS
1. The motor stops running	1. Unconnected to power source	1. Connect to power source
	2. Plugs not fully connect	2. Check all plugs
	3. Switch out of work	3. Replace or repair the switch
	4. Brushes not touch the commutator	4. Replace the brushes with two new ones
2. Running slowly (Not running)with the noise at the beginning of power turn-on	1. Switch out of work	1. Replace or repair the switch
	2. Mechanical trouble	2. Check mechanical parts
3. Commutator sparkle	1. Armature short circuit	1. Repair the armature
	2. Poor connection between the brush and the commutator	2. Replace it with a new one
	3. Commutator surface not smooth	3. Clean the commutator surface
4. Running slowly with the noise in process of working	1. Wrong drill bit size or type	1. Change dill bite size or type
	2. The dill bit contacts hidden steel	2. Choose other drill area to avoid contact hidden steel
	3. Too much lubrication	3. Reduce the amount of lubrication

MAINTENANCE AND SERVICE

Maintenance and Service

Before any work on the Jigsaw itself, pull the mains plug.

General inspection

Regularly check that all the screws are tight as they may vibrate and loosen over time.

Inspect the power cable(3) prior to each use for damage or wear.

Repairs should only be carried out by an qualified technician.

Keep your tool clean at all times. Dirt and dust will cause internal parts to wear quickly and shorten the tool's service life. Clean the body of the tool with a soft brush or dry cloth.

We recommend using compressed air when possible to clean down the sander. This aids the products longevity.

CAUTION: Never use caustic agents to clean plastic parts. If dry cleaning is not sufficient, using a mild detergent on a damp cloth is recommended.



1.Tool, accessories and packaging should be sorted for environment-friendly recycling.

2.Power tools and accessories at the end of their service life still contain large amounts of valuable raw materials and plastics which can likewise be fed back into a recycling process.

3.Some dust created by working contains harmful chemicals must be collected by special garbage recycle site.

LUMBERJACK GUARANTEE

1. Guarantee

1.1 Lumberjack guarantees that for a period of 12 months from the date of purchase the components of qualifying products (see clauses 1.2.1 to 1.2.8) will be free from defects caused by faulty construction or manufacture.

1.2. During this period Lumberjack, will repair or replace free of charge any parts which are proved to be faulty in accordance with paragraph 1.1 providing that:

1.2.1 You follow the claims procedure set out in clause 2

1.2.2 Lumberjack and its authorised dealers are given reasonable opportunity after receiving notice of the claim to examine the product

1.2.3 If asked to do so by Lumberjack or its Authorised dealer, you return the product at your own cost to Lumberjack's or supplying Authorised Dealer's premises, for the examination to take place clearly stating the Returns Material Authorisation number given by Lumberjack or an Authorised Dealer.

1.2.4 The fault in question is not caused by industrial use, accidental damage, fair wear and tear, wilful damage, neglect, incorrect electrical connection, misuse, or alteration or repair of the product without approval.

1.2.5 The product has been used in a domestic environment only

1.2.6 The fault does not relate to consumable items such as blades, bearings, drive belts, or other wearing parts which can reasonably be expected to wear at different rates depending on usage.

1.2.7 The product has not been used for hire purposes.

1.2.8 The product has been purchased by you as the guarantee is not transferable from a private sale.

2. Claims Procedure

2.1 In the first instance please contact the Authorised Dealer who supplied the product to you. In our experience many initial problems with machines that are thought to be faulty due to faulty parts are actually solved by correct setting up or adjustment of the machine. A good Authorised Dealer should be able to resolve the majority of these issues much more quickly than processing a claim under the guarantee. If a return is requested by the Authorised Dealer or Lumberjack, you will be provided with a Returns Material Authorisation number which must be clearly stated on the returned package, and any accompanying correspondence. Failure to provide a Returns Material Authorisation number may result in item being refused delivery at Authorised Dealer.

2.2 Any issues with the product resulting in a potential claim under the guarantee must be reported to the Authorised Dealer from which it was purchased within 48 hours of Receipt.

2.3 If the Authorised Dealer who supplied the product to you has been unable to satisfy your query, any claims made under this Guarantee should be made directly to Lumberjack. The Claim itself should be made in a letter setting out the date and place of purchase, giving a brief explanation of the problem which has led to the claim. This letter should be then sent with proof

LUMBERJACK GUARANTEE

of purchase to Lumberjack. If you include a contact number with this it will speed your claim up.

2.4 Please note that it is essential that the letter of claim reaches Lumberjack on the last day of this Guarantee at the latest. Late claims will not be considered.

3. Limitation of Liability

3.1 We only supply products for domestic and private use. You agree not to use the product for any commercial, business or resale purposes and we have no liability to you for any loss of profit, loss of business, business interruption or loss of business opportunity.

3.2 This Guarantee does not confer any rights other than these expressly set out above and does not cover any claims for consequential loss or damage. This Guarantee is offered as an extra benefit and does not affect your statutory rights as a consumer.

4. Notice

This Guarantee applies to all product purchased from an Authorised Dealer of Lumberjack within the United Kingdom. Terms of Guarantee may vary in other countries.

CE DECLARATION OF CONFORMITY

TOOLSAVE

Unit C, Manders Ind. Est.,
Old Heath Road, Wolverhampton,
WV1 2RP.

Tel: 01902 450 470

Declares that the VARIABLE SPEED JIGSAW (VSJ100)

Is in compliance with the regulations included in the Directives:2006/42/EC

EC DECLARATION OF CONFORMITY

Certificate for EC-type examination delivered by Intertek Testing Services Ltd.,Shanghai,ETL Semko
Building No.86,1198 Qinzhou Road(North),Caohejing Development Zone,Shanghai 200233,China.

(Verification No.:150300747SHA-V1)

Person who declares: Bill Evans



09.04.2021

The Director

A handwritten signature in black ink, appearing to read 'Bill Evans', written over a light grey circular stamp.

Parts List

Part No.	Description	QTY
----------	-------------	-----

Parts Diagram

