



ORIGINAL INSTRUCTIONS

TABLE OF CONTENTS

Welcome to Lumberjack!

Dear Customer, Congratulations on your purchase. Before using the Product for the first time please be sure to read these instructions for use. They provide you with all information necessary for using the product safely and to ensure its long service life.

Closely observe all safety information in these instructions!

General Power Tool Safety Warnings.....	01
Symbols & Cable Rating Chart	06
Machine Details and Product features.....	07
Assembly.....	08
Operation.....	09
Working advice.....	10
Maintenance and Service.....	11
Lumberjack Guarantee.....	13
Declaration of conformity.....	15
Parts list.....	16
Parts Diagram.....	17

1. GENERAL POWER TOOL SAFETY WARNINGS

WARNING Read all safety warnings and all instructions. Failure to follow the warnings and instructions may result in electric shock, fire and/or serious injury.

Save all warnings and instructions for future reference. The term "power tool" in the warnings refers to your electric (corded) power tool or battery-operated (cordless) power tool.

1. Work area safety

a) Keep work area clean and well lit. Cluttered or dark areas invite accidents.

b) Do not operate power tools in explosive atmospheres, such as in the presence of flammable liquids, gases or dust. Power tools create sparks which may ignite the dust or fumes.

c) Keep children and bystanders away while operating a power tool. Distractions can cause you to lose control.

2. Electrical safety

a) Power tool plugs must match the outlet. Never modify the plug in any way. Do not use any adapter plugs with grounded power tools. Unmodified plugs and matching outlets will reduce risk of electric shock.

b) Avoid body contact with grounded surfaces, such as pipes, radiators, ranges and refrigerators. There is an increased risk of electric shock if your body is grounded.

c) Do not expose power tools to rain or wet conditions. Water entering a power tool will increase the risk of electric shock.

d) Do not abuse the cord. Never use the cord for carrying, pulling or unplugging the power tool. Keep cord away from heat, oil, sharp edges or moving parts. Damaged or entangled cords increase the risk of electric shock.

e) When operating a power tool outdoors, use an extension cord suitable for outdoor use. Use of a cord suitable for outdoor use reduces the risk of electric shock.

f) If operating a power tool in a damp location is unavoidable, use a residual current device (RCD) protected supply. Use of an RCD reduces the risk of electric shock.

3. Personal safety

a) Stay alert, watch what you are doing and use common sense when operating a power tool. Do not use a power tool while you are tired or under the influence of drugs, alcohol or medication. A moment of inattention while operating power tools may result in serious personal injury.

b) Use personal protective equipment. Always wear eye protection. Protective equipment such as dust mask, non-skid safety shoes, hard hat, or hearing protection used for appropriate conditions will reduce personal injuries.

c) Prevent unintentional starting. Ensure the switch is in the off position before connecting to power source and/or battery pack, picking up or carrying the tool. Carrying power tools with your finger on the switch or energising power tools that have the switch on invites accidents.

d) Remove any adjusting key or wrench before turning the power tool on. A wrench or a key left attached to a rotating part of the power tool may result in personal injury.

GENERAL POWER TOOL SAFETY WARNINGS

e) Do not overreach. Keep proper footing and balance at all times. This enables better control of the power tool in unexpected situations.

f) Dress properly. Do not wear loose clothing or jewellery. Keep your hair, clothing and gloves away from moving parts. Loose clothes, jewellery or long hair can be caught in moving parts.

g) If devices are provided for the connection of dust extraction and collection facilities, ensure these are connected and properly used. Use of dust collection can reduce dust-related hazards.

4. Power tool use and care

a) Do not force the power tool. Use the correct power tool for your application. The correct power tool will do the job better and safer at the rate for which it was designed.

b) Do not use the power tool if the switch does not turn it on and off. Any power tool that cannot be controlled with the switch is dangerous and must be repaired.

c) Disconnect the plug from the power source and/or the battery pack from the power tool before making any adjustments, changing accessories, or storing power tools. Such preventive safety measures reduce the risk of starting the power tool accidentally.

d) Store idle power tools out of the reach of children and do not allow persons unfamiliar with the power tool or these instructions to operate the power tool. Power tools are dangerous in the hands of untrained users.

e) Maintain power tools. Check for misalignment or binding of moving parts, breakage of parts and any other condition that may affect the power tool's operation. If damaged, have the power tool repaired before use. Many accidents are caused by poorly maintained power tools.

f) Keep cutting tools sharp and clean. Properly maintained cutting tools with sharp cutting edges are less likely to bind and are easier

g) Use the power tool, accessories and tool bits etc. in accordance with these instructions, taking into account the working conditions and the work to be performed. Use of the power tool for operations different from those intended could result in a hazardous situation.

5. Service

a) Have your power tool serviced by a qualified repair person using only identical replacement parts. This will ensure that the safety of the power tool is maintained.

b) If the replacement of the supply cord is necessary, this has to be done by the manufacturer or its agent in order to avoid a safety hazard.

GENERAL POWER TOOL SAFETY WARNINGS

6. Additional Safety and working Instructions

6.1. Dust from materials such as lead-containing coatings, some wood types, minerals and metals can be harmful to one's health and cause allergic reactions, leading to respiratory infections and/or cancer. Materials containing asbestos may only be worked by specialists. Observe the relevant regulations in your country for the materials to be worked.

6.2. Prevent dust accumulation at the workplace. Dust can easily ignite.

7. Additional Warnings for Table Saws.

7.1. Never stand on the power tool.

Serious injuries can occur when the power tool tips over or when inadvertently coming into contact with the saw blade.

7.2. Take care that the blade guard operates properly and can move freely.

Always adjust the blade guard in such a manner that the face is loosely against the work piece when sawing. Never clamp the blade guard when it is open.

7.3. Never reach behind the saw blade in order to hold the work piece, remove saw Dust/wood chips or for any other reason.

Your hand may get caught in the rotating blade.

7.4. Guide the work piece against the saw blade only when the machine is switched on.

Otherwise there is a chance of kickback, when the saw blade becomes wedged in the work piece.

7.5. Keep handles dry, clean, and free from oil and grease.

Greasy, oily handles are slippery causing loss of control.

7.6. Operate the power tool only when the work area to the work piece is clear of any adjusting tools, wood chips, etc.

Small pieces of wood or other objects that come in contact with the rotating saw blade can strike the operator at high speed.

7.7. Only saw one work piece at a time. Work pieces placed on top or aside of each other can cause the saw blade to jam or the work pieces to move against each other while sawing.

7.8. Always use the parallel guide or the angle guide.

This improves the cutting accuracy and reduces the possibility of saw blade binding.

7.9. Use the machine for grooving or rebating only with an appropriately suitable protective device (e. g. a tunnel blade guard).

7.10. Do not use the machine for cutting slots (Stopped grooves).

7.11 Use the machine only for cutting the materials listed under Intended Use. Otherwise, the machine can be subject to overload.

GENERAL POWER TOOL SAFETY WARNINGS

7.12 If the saw blade should become jammed, switch the machine off and hold the work piece until the saw blade comes to a complete stop. To prevent kick back, the work piece may not be moved until after the machine has come to a complete stop.

Correct the cause for the jamming of the saw blade before restarting the machine.

7.13 Do not use dull, cracked, bent or damaged saw blades.

Unsharpened or improperly set saw blades produce narrow kerfs causing excessive friction, blade binding and kickback.

7.14 Always use saw blade with correct size and shape (diamond versus round) of arbour hole.

Saw blades that do not match the mounting hardware of the saw will run eccentrically, causing loss of control.

7.15 Do not use high speed steel (HSS) saw blade.

Such saw blades can easily break.

7.16 Do not touch the saw blade after working before it has cooled. The saw blade becomes very hot while working.

7.17 Never operate the machine without the insert plate. Replace a defective insert plate.

Without flawless insert plates, injuries are possible from the saw blade.

7.18 Store the machine in a safe manner when not being used. The storage location must be dry and lockable.

This prevents the machine from storage damage, and from being operated by untrained persons.

7.19 Never leave the machine before it has come to a complete stop. Cutting tools that are still running can cause injuries.

7.20 Never use the machine with a damaged cable. Do not touch the damaged cable and pull the main plug when the cable is damaged while working.

Damaged cables increase the risk of an electric shock.

8. Safety Warnings for Lasers

The mitre saw has a built-in laser light. The laser is CLASS 2. These lasers do not normally present an optical hazard. However, DO NOT stare at the beam, as this can cause flash blindness.

8.1 Do not remove or deface any product labels. Removing product labels increases the risk of exposure to laser radiation.

8.2 The laser beam can be harmful to the eyes. Always avoid direct expose to eyes. Do not project the laser beam directly into the eyes or at any object other than the work piece.

8.3 Do not look directly into the laser-beam-output aperture during operation.

8.4 Turn the laser on only when making cuts. The laser on the mitre saw is not a toy. Always keep it out of the reach of children. The laser light emitted from this device should never be directed toward any person for any reason.

GENERAL POWER TOOL SAFETY WARNINGS

8.5 Be sure that the laser beam is aimed at a work piece (such as wood or a rough-coated surface) that does not have a reflective surface.

8.6 Do not use on materials that have shiny, reflective surfaces, such as sheet metal.

The reflective surface could reflect the beam back at the operator. Be aware that laser light reflected off of a mirror or any other reflective surfaces can also be dangerous.

8.7 Always wear laser protective eyewear when working on or near reflective surfaces.

8.8 Do not attempt to activate the laser when the tool housing is removed.

8.9 The laser is activated by means of a button switch that is independent of the main switch for the saw.

8.10 Do not replace the laser light assembly with a different one. Any repairs must be carried out by the laser manufacturer or an authorised service agent.

8.11 Do not attempt to repair the laser guide by yourself.

8.12 Do not attempt to change any parts of the laser guide.

2. SYMBOLS AND POWER RATING CHART



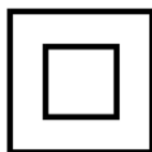
Wear a dust mask



Caution! Exposed saw blade. Risk of injury



Refer to instruction manual



Double insulated Class II product



Caution – sharp protective gloves when adjusting sharp blade



Use table saw adjustable guard



Wear ear protection



Do not dispose of in household waste

MACHINE DETAILS AND PRODUCT FEATURES

Machine Details

3. Specifications:

Mains Voltage - 230V / 50Hz

Power Consumption - 2000W

No Load Speed - 4800rpm

Blade Spec - 255x25.4x2.8mm

Cutting Capacity:

At 90 degrees - 80mm

At 45 degrees - 50mm

Table Size- 565x565mm

Table Size with Extension - 525x470mm

Nett Weight - 30.0kg

A weighted sound pressure level LpA: 92.6 dB(A)

A weighted sound power level LwA: 105.6 dB(A)

4. Package Contents:

Table Saw

Mitre Gauge

Rip Fence

Blade Guard

6. Intended Use

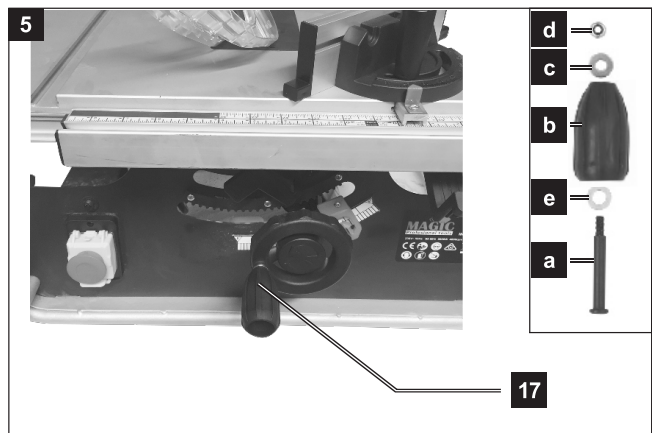
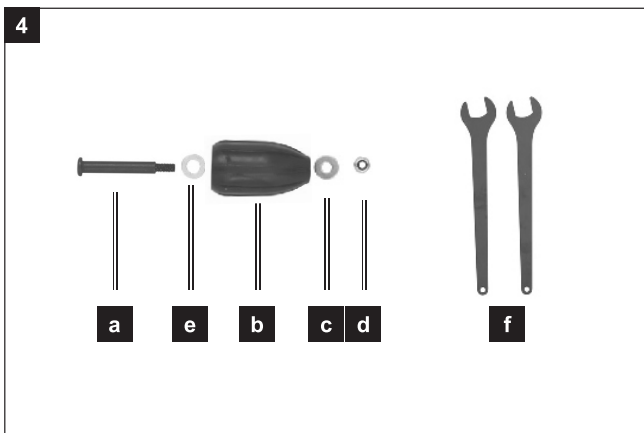
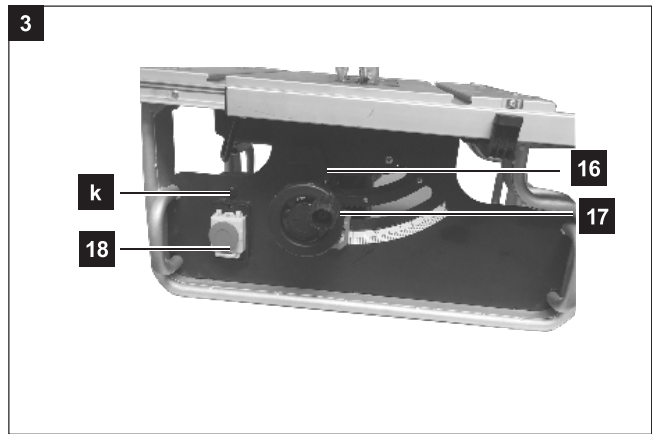
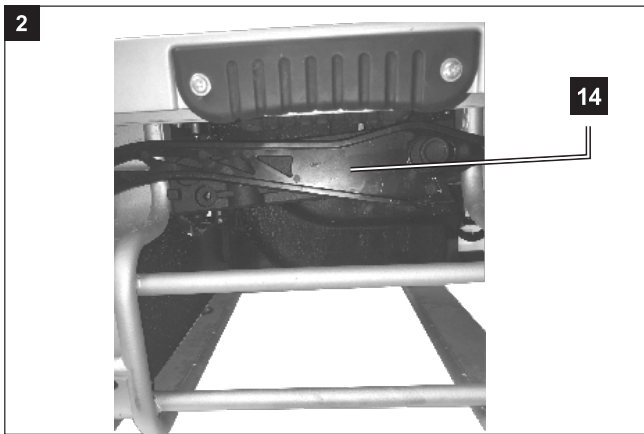
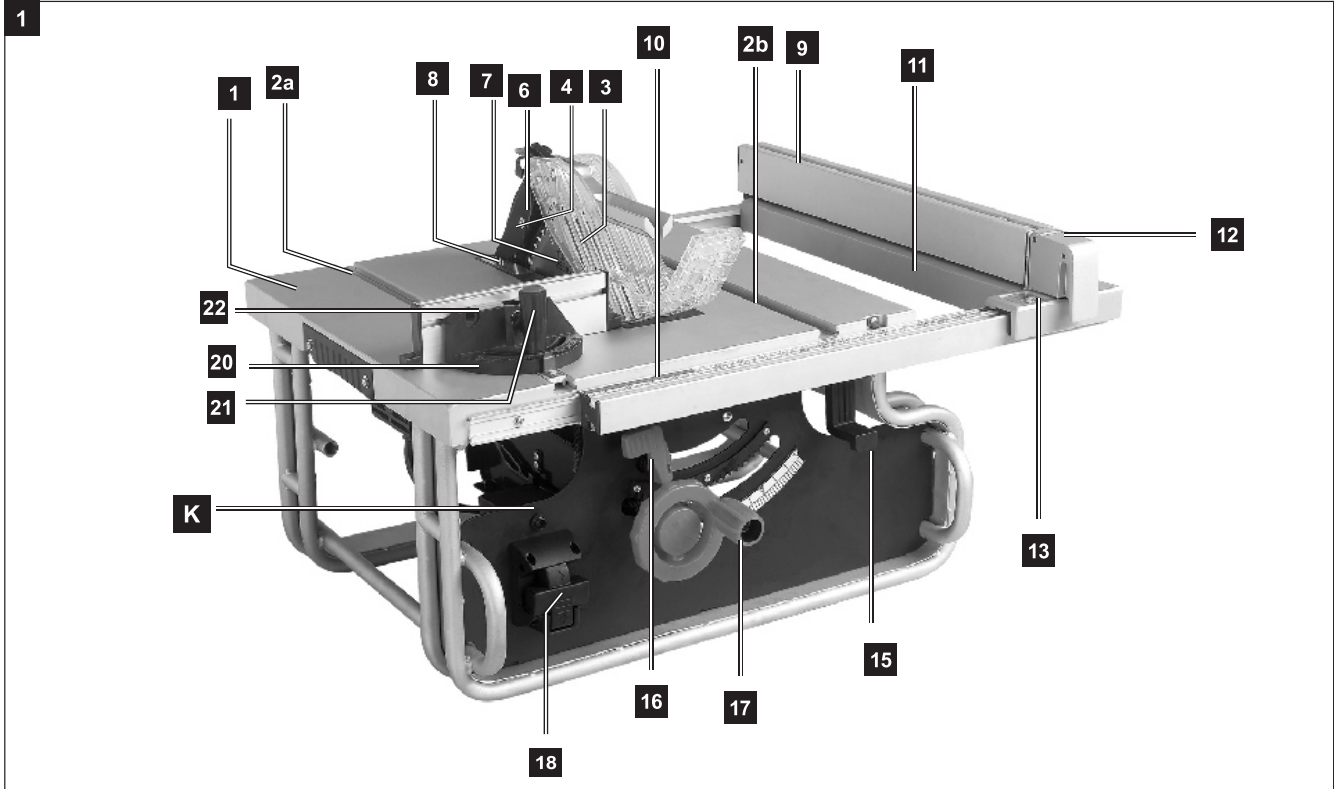
The bench-type circular saw is designed for the slitting and cross-cutting of all types of timber, commensurate with the machine's size.

The machine is not to be used for cutting any type of roundwood.

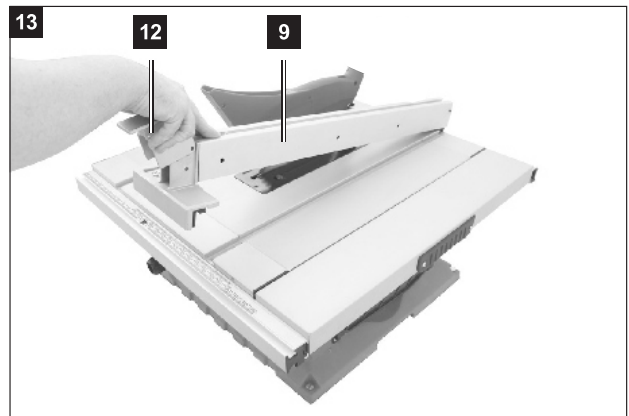
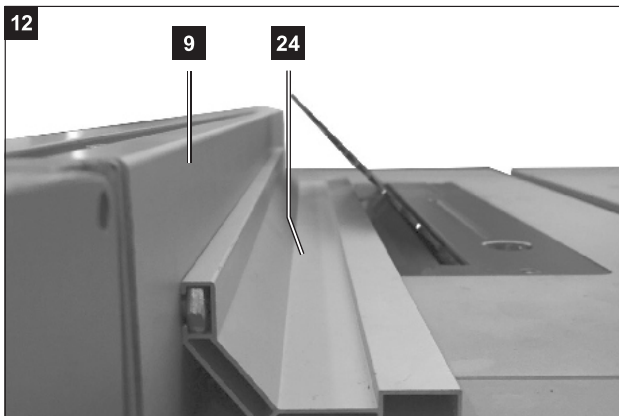
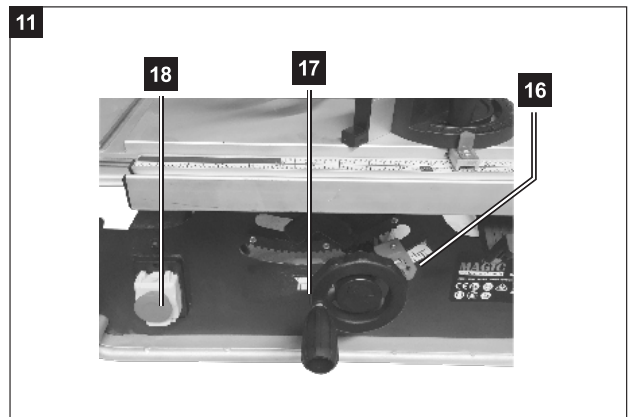
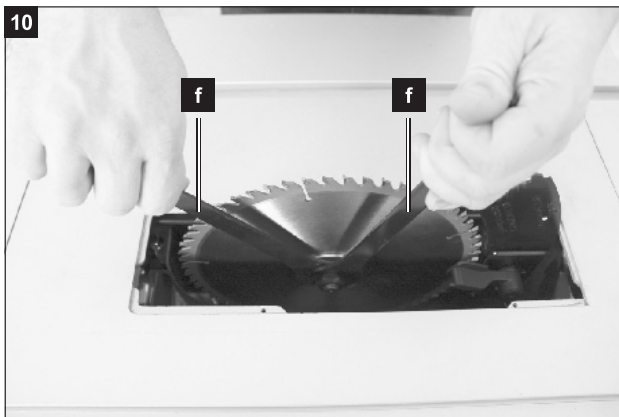
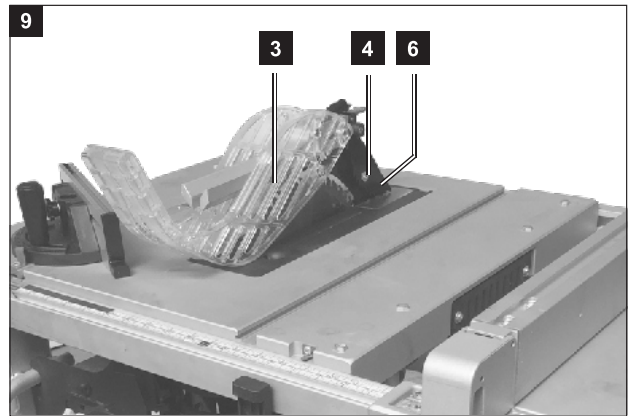
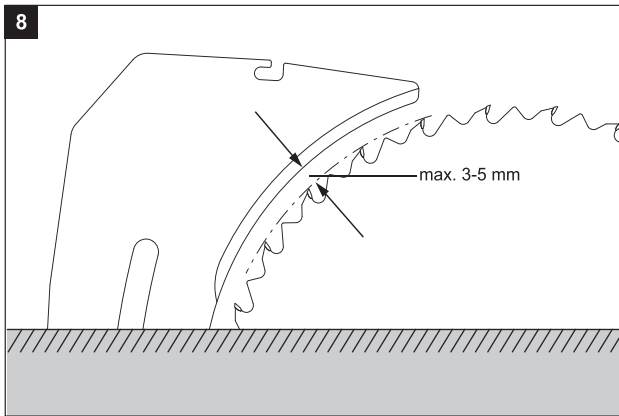
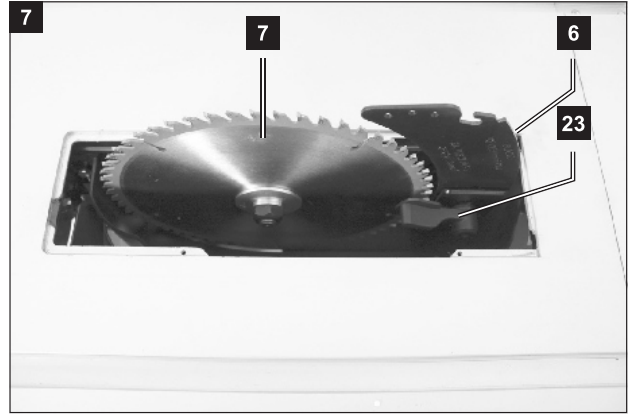
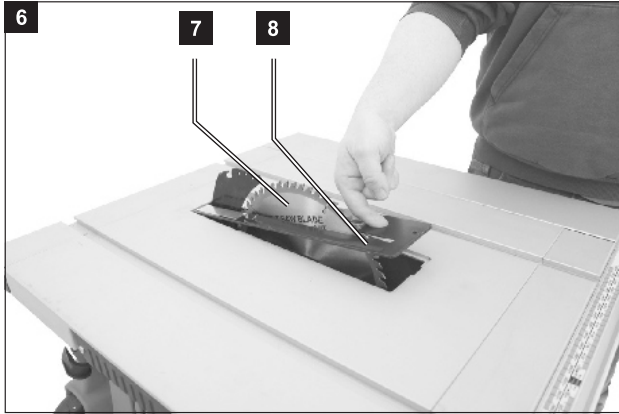
5. Product Features

1. Saw table
- 2a / 2b Guide rail stop
3. Saw blade guard
4. Attachment saw blade guard
6. Riving knife
7. Saw blade
8. Table insert
9. Rip fence
10. Guide rail table width extension
11. Table width extension
12. Locking rip fence
13. Sight glass
14. Push stick
15. Lock table width extension
16. Locking lever angle adjustment
17. Hand wheel height adjustment
18. ON / OFF switch
20. Scale cross stop
21. Locking handle cross stop
22. Cross stop
23. Locking lever riving knife
24. Stop rail
25. Scale rip fence
26. Scale table extension

ASSEMBLY



ASSEMBLY



7. Before starting the equipment

- The equipment must be set up where it can stand securely, i.e. it should be bolted to a workbench, a universal base frame or similar.
- All covers and safety devices have to be properly fitted before the equipment is switched on.
- It must be possible for the blade to run freely.
- When working with wood that has been processed before, watch out for foreign bodies such as nails or screws, etc.
- Before you press the ON/OFF switch check that the saw blade is fitted correctly. Moving parts must run smoothly. All parts supplied on a flat surface. Grouping equal parts.

Note: If compounds with a bolt (round head / or hexagon), hex nuts and washers are backed up, the washer must be fitted under the nut. Insert screws each from outside to inside. Secure connections with nuts on the inside.

Note: Tighten the nuts and bolts during assembly only to the extent that they can not fall down.

If you tighten the nuts and bolts prior to final assembly, final assembly can not be performed.

8.1 Hand wheel assembly, Fig. 5

1. Place the washer (e) on the bolt (a).
2. Then place the bolt on the handle (b) and the washer (c) on the bolt.
3. Fix the whole assembly to the hand wheel (17) and secure it with the hex-nut (d).

8.2 Riving knife set-up (Fig. 6/7/8)

⚠ Warning! Disconnect the mains cable! The set-up of the riving knife (6) must be checked before each use.

1. Set the saw blade (5) to the max. cutting depth, put it in the 0° position and lock it.
2. Remove the table insert (8) (Fig. 6)
⚠ Warning! For transport reasons, the riving knife (6) was fixed in the lower position before initial commissioning. Only work with the machine if the riving knife (6) is in the upper position. Fitting the riving knife (6) in the upper position is as follows:
3. Loosen the locking handle (23) and push the riving knife (6) in the upper position (Fig. 7).
4. The gap between the saw blade (7) and the riving knife (6) should be a maximum of 5 mm (Fig. 8).
5. Re-tighten the mounting screw (23) and fix the table insert (8).

8.3 Saw blade guard assembly (Fig. 9)

1. Place the saw blade guard (3) including the bolt (4) on the riving knife (6) from above so that the bolt is tight in the slot of the riving knife (6).
2. Do not tighten the bolt (4) too much; the saw blade guard (3) must be able to move freely.
3. Disassembly takes place in reverse order.
Warning!
Before starting to saw, lower the saw blade guard (3) on to the work piece.

8.4 Saw blade assembly/replacement (Fig. 6/9/10)

1. **Warning! Disconnect the mains supply and wear safety gloves.**
2. Disassemble the saw blade guard (3) (Fig. 9).

3. Remove the table insert (8) (Fig. 6).
4. Loosen the nut by placing the open-ended spanner (f) on the nut and countering with another open-ended spanner (f) on the flange (Fig. 10).
5. **Warning!** Turn the nut in the rotational direction of the saw blade.
6. Remove the outer flange and pull the old saw blade from the inner flange, with a diagonally downwards movement.
7. Carefully clean the saw blade flange with a wire brush before fixing the new saw blade.
8. Insert the new saw blade in reverse order and tighten it.
Warning! Observe the rotational direction; the teeth have to point in the direction of rotation, i.e. forwards.
9. Attach the table insert (8) and the saw blade guard (3) again and set them.
10. Before working with the saw again, check the functionality of the guards.

9. Using the saw

9.1 On/Off switch (Fig. 11)

- The saw can be switched on by pressing the green pushbutton (18) „I“.
- The red pushbutton (18) „0“ has to be pressed to switch off the saw.

9.2 Cutting depth (Fig. 11)

Turn the round handle (17) to set the blade to the required cutting depth.

- Turn anti-clockwise: larger cutting depth
 - Turn clockwise: smaller cutting depth
- After each new adjustment it is advisable to carry out a trial cut in order to check the set dimensions.

9.3 Setting the angle (Fig. 11)

With the table saw you can make diagonal cuts to the left oriented to the stop bar from 0° to 45°.

⚠ Check before each cut, that between the stop bar (e), cross-stop (13) and the saw blade (5) a collision is not possible.

- Loose the fixing handle (16).
- Set the required angle on the scale.
- Lock the fixing handle (16) again in the required angle position.

9.4 Working with the rip fence

9.4.1 Setting the fence height (Fig. 12)

- The fence rail (24) of the rip fence (9) has two guiding surfaces with different heights.
- Depending on the thickness of the material to be cut, the higher side of the fence rail (24) has to be used for thick material (work piece thickness above 25 mm) and the lower side of the fence rail for thin material (work piece thickness below 25 mm).
- For the adjustment, loosen the bolts on the side of the rip fence (9) and push the fence rail (24) on the guide, depending on the required position.
- Tighten the bolts again.

9.4.2 Rip fence assembly (Fig. 13)

- Fix the rip fence (9) by placing it at the back and pulling the locking handle (12) down.
- For disassembly, pull the locking handle up and remove the rip fence (9).
- The locking force of the rip fence can be set with the

rear knurled nut.

9.4.3 Setting the cutting width (Fig. 14)

- The rip fence (9) must be used for lengthwise cutting of wood.
- Place the rip fence (9) on the guide rail (10) to the right or left of the saw blade.
- On the guide rail for the rip fence (10) there are 2 scales (25/26) which display the gap between the fence rail (24) and the saw blade (7).
- Set the rip fence (9) to the required specification on the sight-glass (13) and secure it with the locking handle for the rip fence.

9.5 Using the table width extension (Fig. 15)

- The table width extension (11) should always be used for particularly wide work pieces.
- Loosen the locking handle (15) and pull out the table width extension enough so the work piece can lie on it without tilting.

9.6 Cross stop (Fig. 16)

- Push the cross stop (22) into a slot (2a) on the saw table.
- Loosen the locking handle (21).
- Rotate the cross stop (22) until the required angle is set. The scale (20) shows the set angle.
- Re-tighten the locking handle (21).

⚠ OVERLOAD PROTECTION (Fig.3)

- This electrical power tool is provided with an overload protection. In case that the overload protection was initiated, proceed as follows:
- Disconnect the power tool from the power supply.
- Allow the power tool to cool down.
- Check the power tool carefully for possible damages.
- Have damages repaired before re-starting the power tool.
- Connect the power tool to the power supply.
- Push the overload switch (k).
- Turn on the power tool as described and put it into operation.

10. Operation

Working instructions

After each new adjustment it is advisable to carry out a trial cut in order to check the set dimensions. After switching on the saw, wait for the blade to reach its maximum speed of rotation before commencing with the cut.

Secure long workpieces against falling off at the end of the cut (e.g. with a roller stand etc.)

Take extra care when starting the cut!

Never use the equipment without the suction function. Regularly check and clean the suction channels.

10.1 Making longitudinal cuts (Figure 17)

Longitudinal cutting (also known as slitting) is when you use the saw to cut along the grain of the wood.

Press one edge of the workpiece against the parallel stop (9) while the flat side lies on the saw table (1). The blade guard (3) must always be lowered over the workpiece.

When you make a longitudinal cut, never adopt a working position that is in line with the cutting direction.

- Set the parallel stop (9) in accordance with the workpiece height and the desired width. (See 9.4)
- Switch on the saw.
- Place your hands (with fingers closed) flat on the workpiece and push the workpiece along the parallel stop (9) and into the blade (7).

- Guide at the side with your left or right hand (depending on the position of the parallel stop) only as far as the front edge of the saw blade guard (3).
- Always push the workpiece through to the end of the splitter (6).
- The offcut piece remains on the saw table (1) until the blade (7) is back in its position of rest.
- Secure long workpieces against falling off at the end of the cut (e.g. with a roller stand etc.) (e.g. roller table etc.)

10.1.1 Cutting narrow workpieces (Fig. 18)

Be sure to use a push stick (14) when making longitudinal cuts in workpieces smaller than 120 mm in width. A push block is supplied with the saw! Replace a worn or damaged push stick immediately.

- Adjust the parallel stop to the width of workpiece you require. (see 9.4)
- Feed in the workpiece with two hands. Always use the push stick (14) in the area of the saw blade.
- Always push the workpiece through to the end of the splitter.

⚠ Caution! With short workpieces, use the push stick from the beginning.

10.2 Making cross cuts (Fig. 19)

- Slide the cross stop (22) into one of the grooves (2a/2b) in the table and adjust to the required angle. (see 9.6). If you also want to tilt the blade (7), use the groove (2a) which prevents your hand and the cross stop from making contact with the blade guard.
- Press the workpiece firmly against the cross stop (22).
- Switch on the saw.
- Push the cross stop (22) and the workpiece toward the blade in order to make the cut.
- **Important:**
Always hold the guided part of the workpiece. Never hold the part which is to be cut off.
- Push the cross stop (22) forward until the workpiece is cut all the way through.
- Switch off the saw again. Do not remove the offcut until the blade has stopped rotating.

10.2.1 Making angular cuts (Fig.20)

Angular cuts must always be made using the parallel stop (9).

- Set the blade (7) to the desired angle. (See 9.3)
- Set the parallel stop (9) in accordance with the workpiece width and height (see 9.4)
- Carry out the cut in accordance with the workpiece width (see 10.1).

10.3 Cutting particle boards

To prevent the cutting edges from cracking when working with particle boards, you should not set the saw blade (7) more than 5mm greater than the thickness of the workpiece (also see 9.2).

11. Transport

1. Before any transport, turn the power tool off and disconnect it from the power supply.
2. At least two people are needed to carry the power tool.
3. Protect the power tool from blows, impact and strong vibrations, e.g. during transport in vehicles.
4. Secure the power tool against tilting and sliding.
5. Never use guards for handling or transport.

TROUBLESHOOT

Troubleshooting

Problem	Possible Cause	Help
Saw blade gets loose after turning off the motor	Fastening nut tightened insufficiently	Tighten fastening nut, M20 left-handed thread
Motor does not start	a) Fastening nut tightened insufficiently b) Extension cable defect c) Connections on the motor or switch defect	a) Check the mains fuse. b) See "Electrical Connection" in the operating manual c) Have it checked by an electrician
No motor output turns off automatically	Overload by dull saw blade, thermoprotection is triggered	Insert a sharpened saw blade; motor can be turned on again after the cooling period
Burns on the cutting surface c) with longitudinal cuts d) with cross cuts	a) Fastening nut tightened insufficiently b) Wrong saw blade c) Longitudinal stop not parallel d) Slide carriage not parallel	a) Insert a sharpened saw blade b) Insert saw blade with 20 or 28 teeth for longitudinal cuts c) Exchange the longitudinal stop Align the slide carriage with the saw blade

LUMBERJACK GUARANTEE

1. Guarantee

1.1 Lumberjack guarantees that for a period of 12 months from the date of purchase the components of qualifying products (see clauses 1.2.1 to 1.2.8) will be free from defects caused by faulty construction or manufacture

1.2 During this period, Lumberjack, will repair or replace free of charge any parts which are proved to be faulty in accordance with paragraph 1.1 providing that:

1.2.1 You follow the claims procedure set out in clause 2.

1.2.2 Lumberjack and its Authorised Dealers are given reasonable opportunity after receiving notice of the claim to examine the product.

1.2.3 If asked to do so by lumberjack or its Authorised Dealer, you return the product at your own cost to Lumberjack's or the supplying Authorised Dealer's Premises -

For the examination to take place clearly stating the Returns Material Authorisation Number given.

1.2.4 The fault in question is not caused by industrial use, accidental damage, fair wear and tear, willful damage, neglect, incorrect electrical connection, misuse, alteration or repair of the product without approval.

1.2.5 The product has been used in a domestic environment only.

1.2.6 The fault does not relate to consumable items such as blades, bearings, drive belts or other wearing parts which can reasonably be expected to wear at different rates depending on usage.

1.2.7 The product has not been used for hire purposes.

1.2.8 The product has been purchased by you, as the guarantee is not transferable from a private sale.

LUMBERJACK GUARANTEE

2. Claims Procedure

2.1 In the first instance please contact the Authorised Dealer who supplied the product to you. In our experience many initial problems with machines that are thought to be fault due to faulty parts are actually solved by correct setting up or adjustment of the machine. A good Authorised Dealer should be able to resolve the majority of these issues much more quickly than processing a claim under the guarantee. If a return is requested by the Authorised Dealer or Lumberjack, you will be provided with a Returns Material Authorisation Number which must be clearly stated on the returned package, and any accompanying correspondence. Failure to provide a Returns Material Authorisation Number may result in item being refused delivery.

2.2 Any issues with the product resulting in a potential claim under the guarantee must be reported to the Authorised Dealer from which it was purchased within 48 hours of receipt.

2.3 If the authorised Dealer who supplied the product to you has been unable to satisfy your query, any claims made under this guarantee should be made directly to Lumberjack. The claim itself should be made in a letter setting out the date and place of purchase, giving a brief explanation of the problem which has led to the claim.

2.4 Please note that it is essential that the letter of claim reaches Lumberjack on the last day of this guarantee at the latest. Late claims will not be considered.

3. Limitation of Liability.

3.1 We only supply products for domestic and private use. You agree not to use the product for any commercial, business or resale purposes and we have no liability to you for any loss of profit, loss of business, business interruption or loss of business opportunity.

3.2 This guarantee does not confer any rights other than these expressly set out above and does not cover any claims for consequential loss or damage. This guarantee is offered as an extra

benefit and does not affect your statutory rights as a consumer.

4. Notice

This guarantee applies to all product purchased from an Authorised Dealer of Lumberjack within the United Kingdom. Terms of guarantee may vary in other countries.

CE DECLARATION OF CONFORMITY

TOOLSAVE

Unit C, Manders Ind. Est.,
Old Heath Road, Wolverhampton,
WV1 2RP.

Tel: 01902 450 470

Declares that the Jobsite Table Saw (TS254JS)

Is in compliance with the regulations included in the Directives:2006/42/EC

EC DECLARATION OF CONFORMITY

Certificate for EC-type examination delivered by I TÜV SÜD Product GmbH – Zertifizierstelle-
Ridlerstraße 65 – 80339 München-Germany (No.:M8A 16 06 44390 01032)

Person who declares: Bill Evans

CE

24.09.2020

The Director



PARTS DIAGRAM

