



## ORIGINAL INSTRUCTIONS

# TABLE OF CONTENTS

## Welcome to Lumberjack!

Dear customer, Congratulations on your purchase. Before using the product for the first time please be sure to read these instructions for use.

They provide you with all information necessary for using the product safely and to ensure its long service life.

Closely observe all safety information in these instructions!

<b>General Power Tool Safety Warnings.....</b>	<b>01</b>
<b>Symbols &amp; Cable Rating Chart .....</b>	<b>05</b>
<b>Machine Details and Product Features.....</b>	<b>06</b>
<b>Assembly.....</b>	<b>07</b>
<b>Operation.....</b>	<b>09</b>
<b>Maintenance and Service.....</b>	<b>10</b>
<b>Lumberjack Guarantee.....</b>	<b>11</b>
<b>Declaration of Conformity.....</b>	<b>13</b>
<b>Parts List.....</b>	<b>14</b>
<b>Parts Diagram.....</b>	<b>16</b>

# GENERAL POWER TOOL SAFETY WARNINGS

**WARNING Read all safety warnings and all instructions.** Failure to follow the warnings and instructions may result in electric shock, fire and/or serious injury.

**Save all warnings and instructions for future reference.** The term "power tool" in the warnings refers to your electric (corded) power tool or battery-operated (cordless) power tool.

## 1. Work area safety

**a) Keep work area clean and well lit.** Cluttered or dark areas invite accidents.

**b) Do not operate power tools in explosive atmospheres, such as in the presence of flammable liquids, gases or dust.** Power tools create sparks which may ignite the dust or fumes.

**c) Keep children and bystanders away while operating a power tool.** Distractions can cause you to lose control.

## 2. Electrical safety

**a) Power tool plugs must match the outlet. Never modify the plug in any way. Do not use any adapter plugs with grounded power tools.** Unmodified plugs and matching outlets will reduce risk of electric shock.

**b) Avoid body contact with grounded surfaces, such as pipes, radiators, ranges and refrigerators.** There is an increased risk of electric shock if your body is grounded.

**c) Do not expose power tools to rain or wet conditions.** Water entering a power tool will increase the risk of electric shock.

**d) Do not abuse the cord. Never use the cord for carrying, pulling or unplugging the power tool. Keep cord away from heat, oil, sharp edges or moving parts.** Damaged or entangled cords increase the risk of electric shock.

**e) When operating a power tool outdoors, use an extension cord suitable for outdoor use.** Use of a cord suitable for outdoor use reduces the risk of electric shock.

**f) If operating a power tool in a damp location is unavoidable, use a residual current device (RCD) protected supply.** Use of an RCD reduces the risk of electric shock.

## 3. Personal safety

**a) Stay alert, watch what you are doing and use common sense when operating a power tool. Do not use a power tool while you are tired or under the influence of drugs, alcohol or medication.** A moment of inattention while operating power tools may result in serious personal injury.

**b) Use personal protective equipment. Always wear eye protection.** Protective equipment such as dust mask, non-skid safety shoes, hard hat, or hearing protection used for appropriate conditions will reduce personal injuries.

**c) Prevent unintentional starting. Ensure the switch is in the off position before connecting to power source and/or battery pack, picking up or carrying the tool.** Carrying power tools with your finger on the switch or energising power tools that have the switch on invites accidents.

**d) Remove any adjusting key or wrench before turning the power tool on.** A wrench or a key left attached to a rotating part of the power tool may result in personal injury.

# GENERAL POWER TOOL SAFETY WARNINGS

**e) Do not overreach. Keep proper footing and balance at all times.** This enables better control of the power tool in unexpected situations.

**f) Dress properly. Do not wear loose clothing or jewellery. Keep your hair, clothing and gloves away from moving parts.** Loose clothes, jewellery or long hair can be caught in moving parts.

**g) If devices are provided for the connection of dust extraction and collection facilities, ensure these are connected and properly used.** Use of dust collection can reduce dust-related hazards.

## 4. Power tool use and care

**a) Do not force the power tool. Use the correct power tool for your application.** The correct power tool will do the job better and safer at the rate for which it was designed.

**b) Do not use the power tool if the switch does not turn it on and off.** Any power tool that cannot be controlled with the switch is dangerous and must be repaired.

**c) Disconnect the plug from the power source and/or the battery pack from the power tool before making any adjustments, changing accessories, or storing power tools.** Such preventive safety measures reduce the risk of starting the power tool accidentally.

**d) Store idle power tools out of the reach of children and do not allow persons unfamiliar with the power tool or these instructions to operate the power tool.** Power tools are dangerous in the hands of untrained users.

**e) Maintain power tools. Check for misalignment or binding of moving parts, breakage of parts and any other condition that may affect the power tool's operation. If damaged, have the power tool repaired before use.** Many accidents are caused by poorly maintained power tools.

**f) Keep cutting tools sharp and clean.** Properly maintained cutting tools with sharp cutting edges are less likely to bind and are easier to control.

**g) Use the power tool, accessories and tool bits etc. in accordance with these instructions, taking into account the working conditions and the work to be performed.** Use of the power tool for operations different from those intended could result in a hazardous situation.

## 5. Service

**a) Have your power tool serviced by a qualified repair person using only identical replacement parts.** This will ensure that the safety of the power tool is maintained.

**b) If the replacement of the supply cord is necessary, this has to be done by the manufacturer or its agent in order to avoid a safety hazard.**

## 6. Battery Tool Use and Care

**a) Recharge only with the charger specified by the manufacturer.** A charger that is suitable for one type of battery pack may create a risk of fire when used with another battery pack.

**b) Use power tools only with specifically designated battery packs.** Use of any other battery packs may create a risk of injury or fire.

# GENERAL POWER TOOL SAFETY WARNINGS

**c) When Battery pack is not in use, keep it away from other metal objects, like paper clips, coins, keys, nails, screws or other small metal object that can make a connection from one terminal to another.** Shorting the battery terminals together may cause burns or a fire.

**d) User abusive conditions, liquid may be ejected from the battery; Avoid contact. If contact accidentally occurs, flush with copious amounts of water. If liquid contacts eyes, seek medical help immediately.** Liquid ejected from the batter may cause irritation or burns.

## 7. Additional Safety and Working Instructions

**a) Dusts from materials such as lead-containing coatings, some wood types, minerals and metals can be harmful to one's health and cause allergic reactions, leading to respiratory infections and/or cancer.** Materials containing asbestos may only be worked by specialists. Observe the relevant regulations in your country for the materials to be worked.

**b) Prevent dust accumulation at the workplace.** Dusts can easily ignite.

## 8. Additional Safety Warning for hollow chisel mortisers

**a) DO NOT OPERATE THIS MACHINE** until it is assembled and installed according to the instructions.

**b) OBTAIN ADVICE FROM YOUR SUPERVISOR, instructor, or another qualified person** if you are not familiar with the operation of this machine.

**c) FOLLOW ALL WIRING CODES** and recommended electrical connections.

**d) MAKE CERTAIN** the machine is fastened to a supporting surface to prevent it from tipping over during operation.

**e) NEVER** turn the mortiser “**ON**” before clearing the table of all objects (tools, scrap pieces, etc.).

**f) ALWAYS** keep hands, fingers and hair away from the rotating bit.

**g) DO NOT** attempt to mortise material that does not have a flat surface, unless a suitable support is used.

**h) ALWAYS** position holddown directly over workpiece to prevent workpiece from lifting during operation.

**i) ALWAYS** support workpiece securely against fence to prevent rotation.

**j) BE SURE** drill bit is sharp, not damaged, and properly secured in the chuck before operation.

**k) MAKE SURE** chuck key is removed before starting machine.

**l) NEVER** turn on the power with the drill bit or chisel contacting the workpiece.

**m) NEVER** perform layout, assembly, or set-up work on the table while the mortiser is operating.

**n) ADJUST** the depth stop to avoid drilling into the table.

**o) ALWAYS** turn off the power before removing scrap pieces from the table.

**p) SHUT-OFF** the power, remove the drill bit and chisel, and clean the table before leaving the machine.

**q) FOR YOUR OWN SAFETY** – Don't wear gloves when operating the machine.

**r) SHOULD** any part of your tool be missing, damaged, or fail in any way, or any electrical component fail to perform properly, shut off switch and remove plug from power supply outlet. Replace missing, damaged, or failed parts before resuming operation.

# GENERAL POWER TOOL SAFETY WARNINGS

s) **THE USE** of attachments and accessories not recommended by Delta may result in the risk of injuries.

t) **TURN THE MACHINE “OFF” AND DISCONNECT THE MACHINE** from the power source before installing or removing accessories, before adjusting or changing set-ups, or when making repairs.

u) **TURN THE MACHINE “OFF”** , disconnect the machine from the power source, and clean the table/work area before leaving the machine. **LOCK THE SWITCH IN THE “OFF” POSITION** to prevent unauthorized use.

# SYMBOLS AND POWER RATING CHART



**Danger! – Read the operating instructions to reduce the risk of injury.**



**Caution! Wear safety goggles.**



**Caution! Wear ear defenders. The impact of noise can cause damage to hearing.**



**Caution! Risk of Injury! Do not reach into the running saw blade.**



**Caution! Wear a dust mask.**

# MACHINE DETAILS AND PRODUCT FEATURES

## Machine Details

### Specifications:

Mains Voltage	230V / 50Hz
Power Consumption -	370W
No load Speed -	1400rpm
Chisel Capacity -	1/4"-5/8"
Max. Mortising Depth -	76mm
Drill Chuck Capacity -	1-13mm
Chisel to Table(Max.) -	110mm
Gross Weight -	41kg
Nett Weight -	39kg

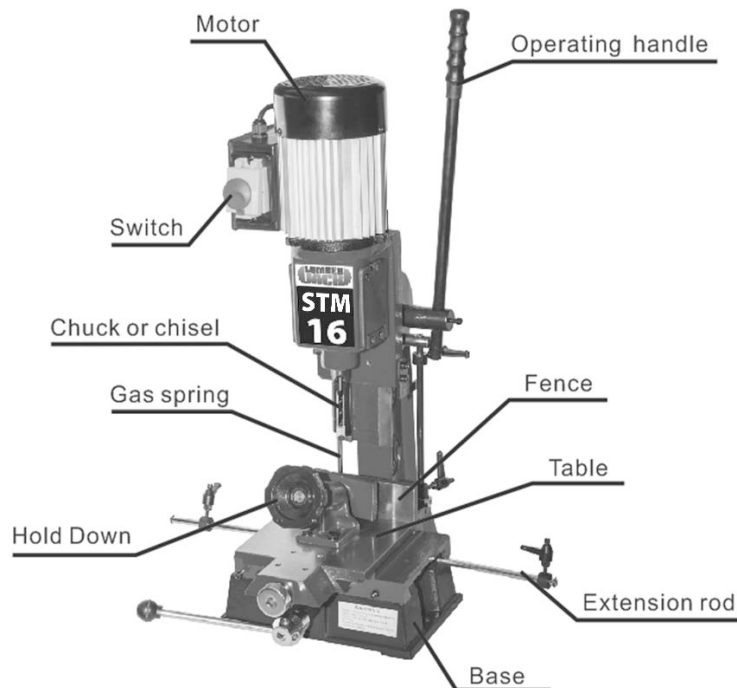
### Package Contents:

Mortising Machine  
3/8" Chisel & Auger

### Intended Use

This power tool is intended to remove and collect wood shavings only. Any other use is considered as not intended use and any damages or injuries result from this unintended use is at operators own risk. This item is also not intended to be used for continuous production or production line use.

## Product Features





# Assembly Instructions

## Assembly

**Avoid unintentional starting of the machine. During assembly and for all work on the machine, the power plug must not be connected to the mains supply.**

Carefully remove all parts included in the delivery from their packaging.

Remove all packaging material from the machine and the accessories provided.

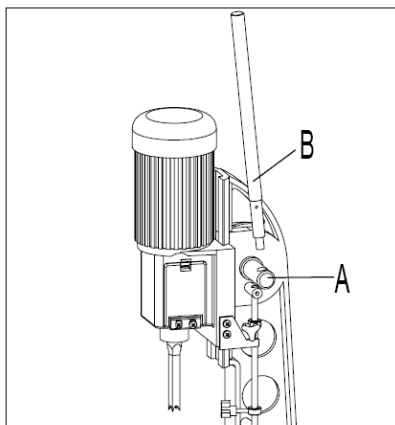
Before starting the operation of the machine for the first time, check if all parts listed in the box content section have been supplied

**Note:** Check the power tool for possible damage. Before further use of the machine, check that all protective devices are fully functional. Any lightly damaged parts must be carefully checked to ensure flawless operation of the tool. All parts must be properly mounted and all conditions fulfilled that ensure faultless operation.

Damaged protective devices and parts must be immediately replaced by an authorised service centre.

## **Assembling the Handle**

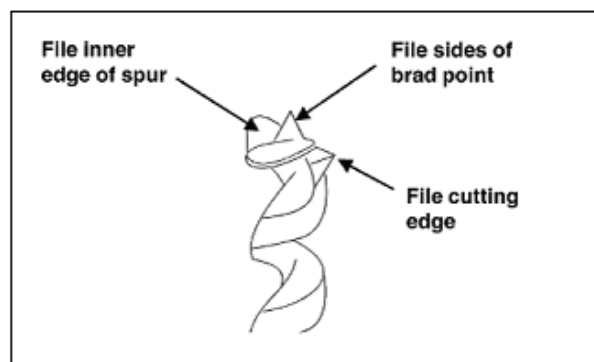
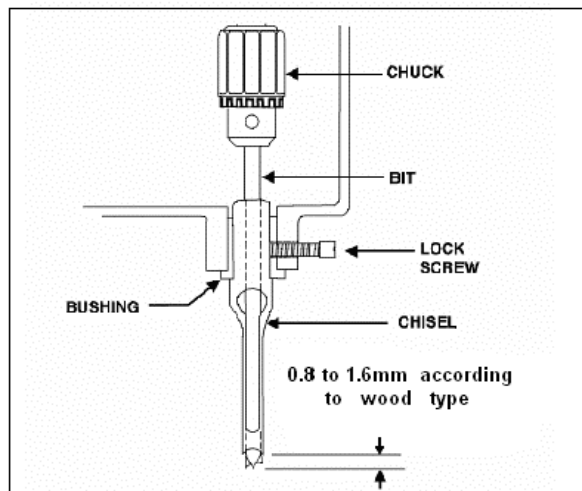
- Assemble hub of handle assembly(A)



- Raise mortising machine head (A) , to the up position by turning handle (B) clockwise.

## **Installing chisel & bit**

- Loosen lock screw, shown in Figure .



- Insert chisel bushing (with the hole facing forward) into the head. Tighten the screw just enough to hold the chisel in place.

NOTE: Set the slot in the side of the chisel to the left or right, NOT to the front or back. This will allow chips to escape when cutting mortises.

- Push the chisel up as far as possible into the head. Then lower the chisel approximately 0.8mm to 1.6mm, depending on the type of wood being worked. Tighten the screw to hold chisel in place.

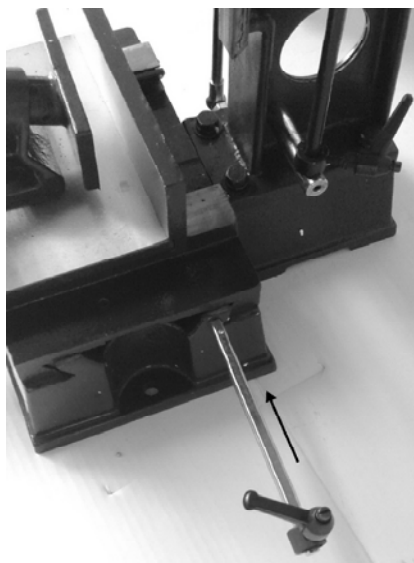
# Assembly Instructions

- Push bit up through the chisel opening as far as it will go. Lock the drill bit in place with the chuck key.

- Loosen screw and push chisel up against the bushing, then tighten screw. This should provide the proper distance between the points of the chisel and the bit.

## Installing extension rod

- Insert extension rod in hole, show in Figure.



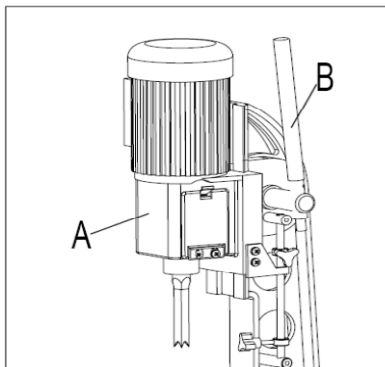
# OPERATION

## Operation

Before any work on the machine itself, remove the mains plug from outlet.

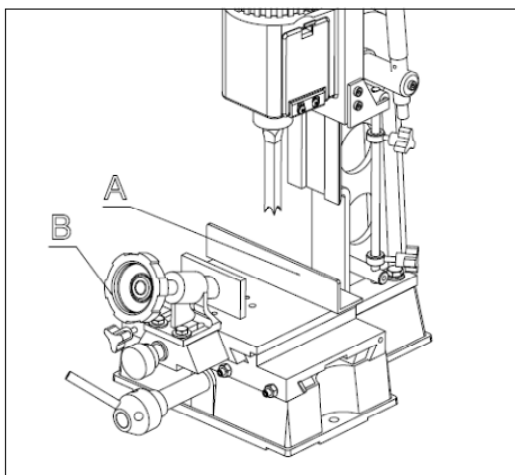
### Raising and lowering the head

-The head (A) Fig. 4, is raised and lowered by means of the lever (B).



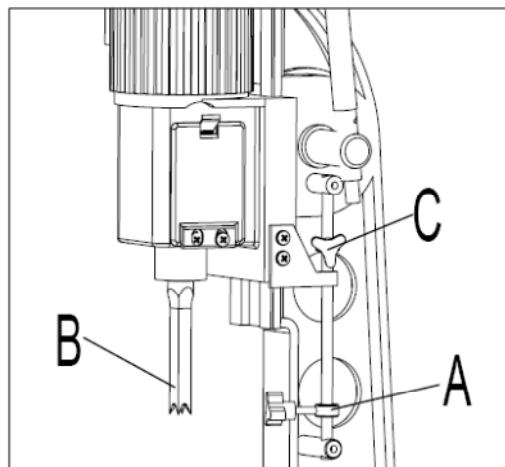
### Fence

-The fence (A) can be moved in or out by loosening lever (B), sliding fence to the desired position and tightening lever (B).



## Depth stop

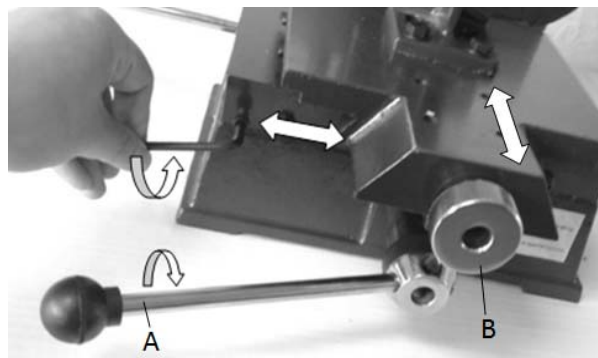
- A depth stop guide (A) Fig. 6, is provided to limit the depth of the chisel (B). To adjust the depth stop guide (A), loosen handle (C) and lower head until the chisel (B) is at the desired depth. Lower depth stop guide (A) until it is at the desired depth, tighten handle (C).



## Guide the operation

- please Loosen the screw before use the handle (A) , rotate the handle (A) can move around.

- Rotate the handle (B) can move front or back.



# MAINTENANCE AND SERVICE

## Maintenance and Service

The Mortiser requires only minor maintenance, such as cleaning and lubrication and routine adjustment and sharpening of the chisel and bit.

Dust the machine down after each use and, as necessary, use light applications of oil or grease to lubricate linkages, moving parts, etc.

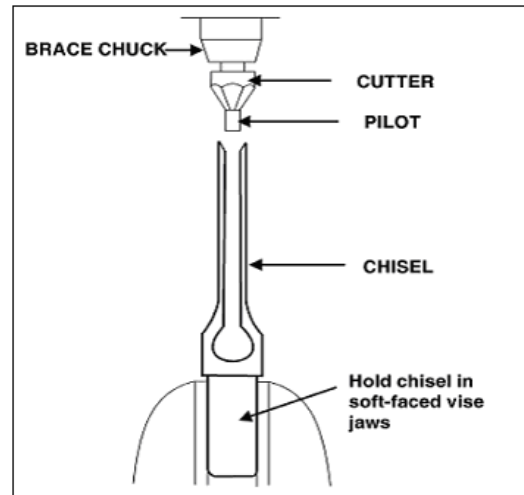
### SHARPENING CHISEL & BIT

The chisel and bit should be kept sharp for best performance. Blunt edges will give inaccurate

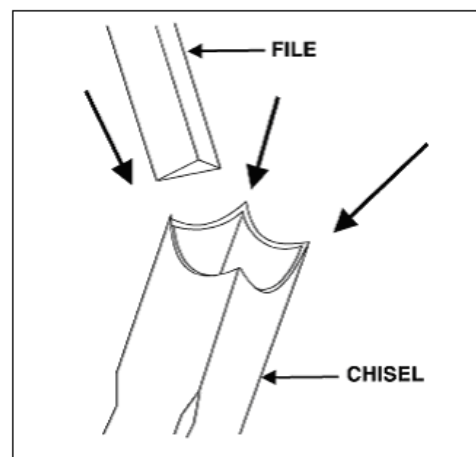
mortises and can lead to overheating and breakage to chisel or bit. If chisel and bit are badly worn and become difficult to sharpen, they should be replaced.

1. Sharpen the bit by using a small, smooth file, following the original shape of the bit. File the inside edge of the spur, the sides of the brad point, and the cutting edge inwards toward the flute of the bit. See Fig. 8. Do not file the outside edge of the spur as this will affect the diameter of the bit.

2. Sharpen the chisel with a mortise chisel cutter with the correct size pilot. (Pilot size will differ depending on the size of your chisel). Two or three turns of the cutter in a carpenter's brace chuck should be enough to sharpen the chisel, as shown in Figure.



3. Use a small, triangular, smooth file to relieve the inner corners of the chisel. See Figure. Remove any burrs from the outside of the chisel with a fine oilstone.



# LUMBERJACK GUARANTEE

## 1. Guarantee

**1.1** Lumberjack guarantees that for a period of 12 months from the date of purchase the components of qualifying products (see clauses 1.2.1 to 1.2.8) will be free from defects caused by faulty construction or manufacture.

**1.2.** During this period Lumberjack, will repair or replace free of charge any parts which are proved to be faulty in accordance with paragraph 1.1 providing that:

**1.2.1** You follow the claims procedure set out in clause 2

**1.2.2** Lumberjack and its authorised dealers are given reasonable opportunity after receiving notice of the claim to examine the product

**1.2.3** If asked to do so by Lumberjack or its Authorised dealer, you return the product at your own cost to Lumberjack's or supplying Authorised Dealer's premises, for the examination to take place clearly stating the Returns Material Authorisation number given by Lumberjack or an Authorised Dealer.

**1.2.4** The fault in question is not caused by industrial use, accidental damage, fair wear and tear, wilful damage, neglect, incorrect electrical connection, misuse, or alteration or repair of the product without approval.

**1.2.5** The product has been used in a domestic environment only

**1.2.6** The fault does not relate to consumable items such as blades, bearings, drive belts, or other wearing parts which can reasonably be expected to wear at different rates depending on usage.

**1.2.7** The product has not been used for hire purposes.

**1.2.8** The product has been purchased by you as the guarantee is not transferable from a private sale.

## 2. Claims Procedure

**2.1** In the first instance please contact the Authorised Dealer who supplied the product to you. In our experience many initial problems with machines that are thought to be faulty due to faulty parts are actually solved by correct setting up or adjustment of the machine. A good Authorised Dealer should be able to resolve the majority of these issues much more quickly than processing a claim under the guarantee. If a return is requested by the Authorised Dealer or Lumberjack, you will be provided with a Returns Material Authorisation number which must be clearly stated on the returned package, and any accompanying correspondence. Failure to provide a Returns Material Authorisation number may result in item being refused delivery at Authorised Dealer.

**2.2** Any issues with the product resulting in a potential claim under the guarantee must be reported to the Authorised Dealer from which it was purchased within 48 hours of Receipt.

**2.3** If the Authorised Dealer who supplied the product to you has been unable to satisfy your query, any claims made under this Guarantee should be made directly to Lumberjack. The Claim itself should be made in a letter setting out the date and place of purchase, giving a brief explanation of the problem which has led to the claim. This letter should be then sent with proof

# LUMBERJACK GUARANTEE

of purchase to Lumberjack. If you include a contact number with this it will speed your claim up.

**2.4** Please note that it is essential that the letter of claim reaches Lumberjack on the last day of this Guarantee at the latest. Late claims will not be considered.

## **3. Limitation of Liability**

**3.1** We only supply products for domestic and private use. You agree not to use the product for any commercial, business or resale purposes and we have no liability to you for any loss of profit, loss of business, business interruption or loss of business opportunity.

**3.2** This Guarantee does not confer any rights other than these expressly set out above and does not cover any claims for consequential loss or damage. This Guarantee is offered as an extra benefit and does not affect your statutory rights as a consumer.

## **4. Notice**

This Guarantee applies to all product purchased from an Authorised Dealer of Lumberjack within the United Kingdom. Terms of Guarantee may vary in other countries.

## CE DECLARATION OF CONFORMITY

**TOOLSAVE**

Unit C, Manders Ind. Est.,  
Old Heath Road, Wolverhampton,  
WV1 2RP.  
Tel: 01902 450 470

**Declares that the Bench Morticer (STM16)**

**Is in compliance with the regulations included in the Directives:2006/42/EC**

## EC DECLARATION OF CONFORMITY

**Certificate for EC-type examination delivered by TÜV Rheinland LGA Rheinland LGA Products GmbH**

**– Tillystraße 2 – 90431 Nürnberg (Verification No.:AM 50306313 0001)**

**Person who declares: Bill Evans**

---

**CE**

**01.01.2021**

**The Director**



# Parts List

No.	Description	No.	Description
1	Handle	30	Handle
2	Motor	31	Screw
3	Switch Box	32	Screw
4	Screw	33	Knob
5	Gear shaft	34	Screw
6	Screw	35	Lead screw
7	Screw	36	Washer
8	Handle	37	Connecting bend
9	Setting collar	38	Knob
10	Guide column	39	Lead screw
11	Screw	40	Pin
12	Localizer	41	Lead nut
13	Screw	42	Table
14	Cover	43	Clamp plate
15	Gear casing	44	Screw
16	Handle	47	Screw
17	Washer	48	Nut
18	Setting collar	49	Screw
19	Bolt	50	Screw
20	Chisel bushing	51	Rack
21	Chisel	52	Sliding plate
22	Screw	53	Washer
23	Nut	54	Screw
24	Drift	55	Drift
25	Base	56	Screw
26	Screw	57	Gas spring
27	Knob	58	Screw
28	Gear	59	Washer
29	Gear shaft	60	Gear



# Parts List

No.	Description	No.	Description
61	Bolt	70	Screw
62	Screw	71	Screw
63	Drift	72	Power cord
64	Screw	73	Screw
65	Washer	74	Angle block
66	Chuck	75	Closing ring
67	Switch	76	Screw
68	Column	77	Drift
69	Rack	78	Shaft

# Parts Diagram

