



ORIGINAL INSTRUCTIONS

TABLE OF CONTENTS

Welcome to Lumberjack!

Dear customer, Congratulations on your purchase. Before using the Product for the first time please be sure to read these instructions for use. They provide you with all information necessary for using the product safely and to ensure its long service life.

Closely observe all safety information in these instructions!

General Power Tool Safety Warnings.....	01
Symbols & Cable Rating Chart	05
Machine Details and Product features.....	06
Assembly.....	08
Operation.....	11
Preparing For Operation	11
Starting Operation	14
Working Advice.....	15
Maintenance and Service.....	16
Lumberjack Guarantee.....	17
Declaration of conformity.....	19
Parts list.....	20
Parts Diagram.....	24

GENERAL POWER TOOL SAFETY WARNINGS

WARNING Read all safety warnings and all instructions. Failure to follow the warnings and instructions may result in electric shock, fire and/or serious injury.

Save all warnings and instructions for future reference. The term "power tool" in the warnings refers to your electric (corded) power tool or battery-operated (cordless) power tool.

1. Work area safety

a) Keep work area clean and well lit. Cluttered or dark areas invite accidents.

b) Do not operate power tools in explosive atmospheres, such as in the presence of flammable liquids, gases or dust. Power tools create sparks which may ignite the dust or fumes.

c) Keep children and bystanders away while operating a power tool. Distractions can cause you to lose control of the power tool.

2. Electrical safety

a) Power tool plugs must match the outlet. Never modify the plug in any way. Do not use any adapter plugs with grounded power tools. Unmodified plugs and matching outlets will reduce risk of electric shock.

b) Avoid body contact with grounded surfaces, such as pipes, radiators, ranges and refrigerators. There is an increased risk of electric shock if your body is grounded.

c) Do not expose power tools to rain or wet conditions. Water entering a power tool will increase the risk of electric shock.

d) Do not abuse the cord. Never use the cord for carrying, pulling or unplugging the power tool. Keep cord away from heat, oil, sharp edges or moving parts. Damaged or entangled cords increase the risk of electric shock.

e) When operating a power tool outdoors, use an extension cord suitable for outdoor use. Use of a cord suitable for outdoor use reduces the risk of electric shock.

f) If operating a power tool in a damp location is unavoidable, use a residual current device (RCD) protected supply. Use of an RCD reduces the risk of electric shock.

3. Personal safety

a) Stay alert, watch what you are doing and use common sense when operating a power tool. Do not use a power tool while you are tired or under the influence of drugs, alcohol or medication. A moment of inattention while operating power tools may result in serious personal injury.

b) Use personal protective equipment. Always wear eye protection. Protective equipment such as dust mask, non-skid safety shoes, hard hat, or hearing protection used for appropriate conditions will reduce personal injuries.

c) Prevent unintentional starting. Ensure the switch is in the off position before connecting to power source and/or battery pack, picking up or carrying the tool. Carrying power tools with your finger on the switch or energising power tools that have the switch on invites accidents.

d) Remove any adjusting key or wrench before turning the power tool on. A wrench or a key left attached to a rotating part of the power tool may result in personal injury.

GENERAL POWER TOOL SAFETY WARNINGS

e) Do not overreach. Keep proper footing and balance at all times. This enables better control of the power tool in unexpected situations.

f) Dress properly. Do not wear loose clothing or jewellery. Keep your hair, clothing and gloves away from moving parts. Loose clothes, jewellery or long hair can be caught in moving parts.

g) If devices are provided for the connection of dust extraction and collection facilities, ensure these are connected and properly used. Use of dust collection can reduce dust-related hazards.

4. Power tool use and care

a) Do not force the power tool. Use the correct power tool for your application. The correct power tool will do the job better and safer at the rate for which it was designed.

b) Do not use the power tool if the switch does not turn it on and off. Any power tool that cannot be controlled with the switch is dangerous and must be repaired.

c) Disconnect the plug from the power source and/or the battery pack from the power tool before making any adjustments, changing accessories, or storing power tools. Such preventive safety measures reduce the risk of starting the power tool accidentally.

d) Store idle power tools out of the reach of children and do not allow persons unfamiliar with the power tool or these instructions to operate the power tool. Power tools are dangerous in the hands of untrained users.

e) Maintain power tools. Check for misalignment or binding of moving parts, breakage of parts and any other condition that may affect the power tool's operation. If damaged, have the power tool repaired before use. Many accidents are caused by poorly maintained power tools.

f) Keep cutting tools sharp and clean. Properly maintained cutting tools with sharp cutting edges are less likely to bind and are easier to control.

g) Use the power tool, accessories and tool bits etc. in accordance with these instructions, taking into account the working conditions and the work to be performed. Use of the power tool for operations different from those intended could result in a hazardous situation.

5. Service

a) Have your power tool serviced by a qualified repair person using only identical replacement parts. This will ensure that the safety of the power tool is maintained.

b) If the replacement of the supply cord is necessary, this has to be done by the manufacturer or its agent in order to avoid a safety hazard.

6. Battery Tool Use and Care

a) Recharge only with the charger specified by the manufacturer. A charger that is suitable for one type of battery pack may create a risk of fire when used with another battery pack.

b) Use power tools only with specifically designated battery packs. Use of any other battery packs may create a risk of injury or fire.

GENERAL POWER TOOL SAFETY WARNINGS

c) When Battery pack is not in use, keep it away from other metal objects, like paper clips, coins, keys, nails, screws or other small metal object that can make a connection from one terminal to another. Shorting the battery terminals together may cause burns or a fire.

d) User abusive conditions, liquid may be ejected from the battery; Avoid contact. If contact accidentally occurs, flush with copious amounts of water. If liquid contacts eyes, seek medical help immediately. Liquid ejected from the batter may cause irritation or burns.

7 Additional Safety and Working Instructions

a) Dusts from materials such as lead-containing coatings, some wood types, minerals and metals can be harmful to one's health and cause allergic reactions, leading to respiratory infections and/or cancer. Materials containing asbestos may only be worked by specialists. Observe the relevant regulations in your country for the materials to be worked.

b) Prevent dust accumulation at the workplace. Dusts can easily ignite.

8 Safety Warnings for Chop and Mitre Saws

a) Never stand on the power tool. Serious injuries can occur when the power tool tips over or when inadvertently coming into contact with the saw blade.

b) Make sure that the guard operates properly and that it can move freely. Never lock the guard in place when opened.

c) Never remove cutting remainders, wood chips, etc. from the sawing area while the machine is running. Always guide the tool arm back to the neutral position first and then switch the machine off.

d) Guide the saw blade against the workpiece only when the machine is switched on. Otherwise there is damage of kickback, when the saw blade becomes wedged in the workpiece.

e) Keep handles dry, clean, and free from oil and grease. Greasy, oily handles are slippery causing loss of control.

f) Operate the power tool only when the work area to the workpiece is clear of any adjusting tools, wood chips, etc. Small pieces of wood or other objects that come in contact with the rotating saw blade can strike the operator with high speed.

g) Keep the floor free of wood chips and material remainders. You could slip or trip.

h) Always firmly clamp the piece to be worked. Do not saw workpieces that are too small to clamp. Otherwise, the clearance of your hand to the rotating saw blade is too small.

i) Use the machine only for cutting the materials listed under Intended Use. Otherwise, the machine can be subject to overload.

j) If the saw blade should become jammed, switch the machine off and hold the workpiece until the saw blade comes to a complete stop. To prevent kickback, the workpiece may not be moved until after the machine has come to a complete stop. Correct the cause for the jamming of the saw blade before restarting the machine.

k) Do not use dull, cracked, bent or damaged saw blades. Unsharpened or improperly set saw blades produce narrow kerf causing excessive friction, blade binding and kickback.

GENERAL POWER TOOL SAFETY WARNINGS

l) Always use saw blades with correct size and shape (diamond versus round) of bore. Saw blades that do not match the mounting hardware of the saw will run eccentrically, causing loss of control.

m) Do not use high speed steel (HSS) saw blades. Such saw blades can easily break.

n) Do not touch the saw blade after working before it has cooled. The saw blade becomes very hot while working.

o) Never operate the machine without the insert plate. Replace a defective insert plate. Without flawless insert plates, injuries are possible from the saw blade.

p) Check the cable regularly and have a damaged cable repaired only through an authorised customer service agent. Replace damaged extension cables. This will ensure that the safety of the power tool is maintained.

q) Store the machine in a safe manner when not being used. The storage location must be dry and lockable. This prevents the machine from storage damage, and from being operated by untrained persons.

r) Secure the workpiece. A workpiece clamped with clamping devices or in a vice is held more secure than by hand.

r) Never leave the machine before it has come to a complete stop. Cutting tools that are still running can cause injuries.

s) Never use the machine with a damaged cable. Do not touch the damaged cable and pull the mains plug when the cable is damaged while working. Damaged cables increase the risk of an electric shock.

SYMBOLS AND POWER RATING CHART



Danger! – Read the operating instructions to reduce the risk of injury.



Caution! Wear safety goggles.



Caution! Wear ear defenders. The impact of noise can cause damage to hearing.



Caution! Risk of Injury! Do not reach into the running saw blade.



Caution! Wear a dust mask.



Caution: Laser radiation. Do not look into the beam! Laser class II product!

MACHINE DETAILS AND PRODUCT FEATURES

Machine Details

Specifications:

Mains Voltage -	230-240V / 50Hz
Power Consumption -	2000W
No load Speed -	4500rpm
Blade Spec -	305x30x60T
Cutting Capacity:	
At 0° / 0°-	340x104mm
At -45° / 0° -	240x104mm
At 0° / -45°-	340x55mm
At 0° / +45°-	340x40mm
At -45° / -45° -	240x55mm
At +45° / +45° -	240x40mm
Gross Weight -	27kg
Nett Weight -	23kg

Package Contents:

305mm Mitre saw
Dust Bag
Fast clamp
Locking clamp
Blade wrench
Dust bag

Intended Use

The power tool is intended as a stationary machine for making straight lengthways and crossways cuts in wood. In this, mitre angles from -45° to $+45^{\circ}$ as well as bevel angles from -45° to 45° are possible.

The capacity of the power tool is designed for sawing hardwood and softwood.

The power tool is not suitable for cutting aluminium or other non-ferrous metals or alloys.

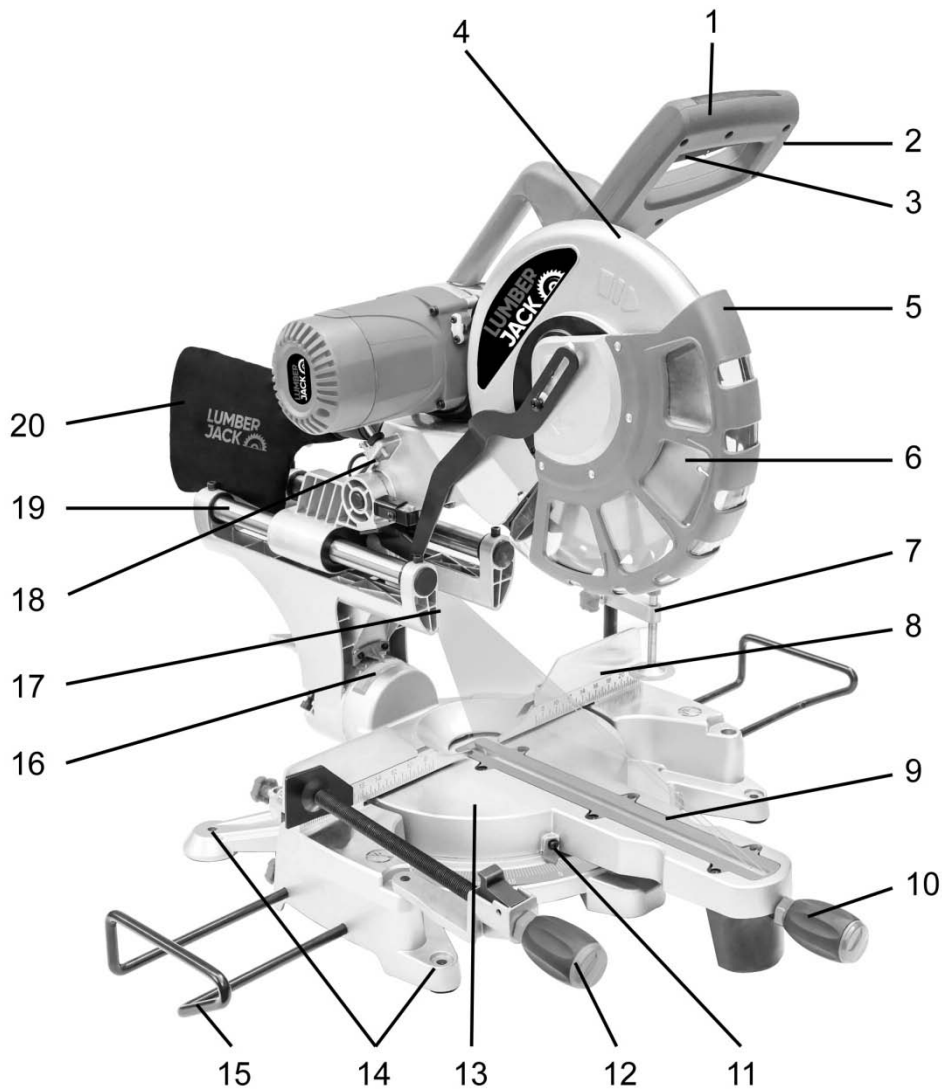
Product Features

1. Handle
2. Laser on/off switch
3. Saw on/off switch
4. Upper fixed blade guard
5. Blade guard
6. Blade
7. Fast Clamp
8. Fence
9. Insert Plate
10. Locking knob for mitre angle
11. Mitre gauge
12. Locking Clamp
13. Saw table
14. Mounting holes
15. Extension bars
16. Bevel gauge
17. Dual Laser guide
18. Locking knob for Bevel Angle
19. Trenching facility
20. Sliding carriage
21. Dust bag

MACHINE DETAILS AND PRODUCT FEATURES

- 22. Sliding carriage lock
- 23. Blade spindle lock
- 24. Transport safety lock
- 25. Extraction port
- 26. Pan HD Screws
- 27. Blade bolt
- 28. Outer clamping flange
- 29. Extension bar lock
- 30. Fence extension cap screw
- 31. Fence extension lock

- 32. Trenching stop
- 33. Depth screw
- 34. Depth lock
- 35. Laser screws
- 36. Laser tip
- 37. Retaining spring
- 38. Carbon brush
- 39. Terminal
- 40. Positive stop knob
- 41. Blade wrench



ASSEMBLY INSTRUCTIONS

Assembly

Avoid unintentional starting of the machine. During assembly and for all work on the machine, the power plug must not be connected to the mains supply.

Carefully remove all parts included in the delivery from their packaging.

Remove all packaging material from the machine and the accessories provided.

Before starting the operation of the machine for the first time, check if all parts listed in the box content section have been supplied

Note: Check the power tool for possible damage. Before further use of the machine, check that all protective devices are fully functional. Any lightly damaged parts must be carefully checked to ensure flawless operation of the tool. All parts must be properly mounted and all conditions fulfilled that ensure faultless operation.

Damaged protective devices and parts must be immediately replaced by an authorised service centre.

Always tighten the locking knob (10)&(18) firmly before sawing. Otherwise the saw blade can become wedged in the workpiece.

Stationary or Flexible Mounting

To ensure safe handling, the machine must be mounted on a level and stable surface (e. g., workbench) prior to using.

Mounting to a Working Surface

– Fasten the power tool with suitable screw fasteners to the working surface. The mounting holes (14) serve for this purpose.

or

– Clamp the power tool with commercially available screw clamps by the feet to the working surface.

Mounting to a Saw Stand

Any universal saw stand which will accept mounting holes 420mm wide by 350mm in length will suffice

Read all safety warnings and instructions included with the worktable. Failure of observing safety warnings and instructions can lead to electrical shock, fire and/or cause serious injuries.

Assemble the worktable properly before mounting the power tool. Perfect assembly is important in order to prevent the risk of collapsing.

– Mount the power tool in transport position on the saw stand.

Dust/Chip Extraction

Dusts from materials such as lead-containing coatings, some wood types, minerals and metal can be harmful to one's health. Touching or breathing-in the dusts can cause allergic reactions and/or lead to respiratory infections of the user or bystanders.

ASSEMBLY INSTRUCTIONS

Certain dusts, such as oak or beech dust, are considered as carcinogenic, especially in connection with wood-treatment additives (chromate, wood preservative). Materials containing asbestos may only be worked by specialists.

- Always use dust extraction or the Dust bag (21) provided
- Provide for good ventilation of the working place.
- It is recommended to wear a P2 filter-class respirator.

Observe the relevant regulations in your country for the materials to be worked.

The dust/chip extraction can be blocked by dust, chips or workpiece fragments.

- Switch the machine off and pull the mains plug from the socket outlet.
- Wait until the saw blade has come to a complete stop.
- Determine the cause of the blockage and correct it.

Integrated Dust Extraction.

- Insert the dust bag firmly onto the machine

During sawing, the dust bag must never come in contact with moving tool components.

Always empty the dust bag in good time.

External Dust Extraction

For dust extraction, you can also connect the extraction port (25) to a vacuum hose (internal Ø 40 mm).

The dust extractor must be suitable for the material being worked. When vacuuming dry dust that is especially detrimental to health or carcinogenic, use a special dust extractor.

Changing the Blade

Before any work on the machine itself, pull the mains plug.

When mounting the saw blade, wear protective gloves. Danger of injury when touching the saw blade.

Use only saw blades whose maximum permitted speed is higher than the no-load speed of the power tool.

Use only saw blades that correspond with the characteristic data given in these operation instructions.

Use only saw blades recommended by the tool manufacturer, and suitable for sawing the materials to be cut.

Removing the Saw Blade

- Bring the power tool into the working position.
- Push swing back the retracting blade guard (5) to the stop.

Hold the retracting blade guard in this position.

- Loosen both screws (26). This then releases blade guard (5).

ASSEMBLY INSTRUCTIONS



- Lower blade guard (5) down to rest on saw table (13).
- Turn blade bolt (27) with the provided blade wrench (41) and at the same time press the blade spindle lock (23) until it engages.
- Keep the blade spindle lock (23) pressed and unscrew blade bolt (27) in clockwise direction (left-hand thread!).
- Mount the clamping flange (28) and blade bolt (27). Press spindle lock (38) until it engages, and then tighten the blade bolt with a tightening torque of approx. 15–23 Nm turning in anticlockwise direction.
- Reposition the blade guard (5) and secure this with the two screws (26).
- Guide the retracting blade guard downward into its original position.

OPERATION & PREPARING FOR OPERATION

Operation

Before any work on the machine itself, remove the mains plug from outlet.

Transport Safety

The transport safety lock (24) enables easier handling of the machine when transporting to various working locations.



Releasing the Machine (Working Position)

– Push the tool arm by the handle (1) down a little in order to relieve the transport safetylock (24).

– Pull the transport safety lock (24) completely outward and turn 90°, and loose.

– Guide the tool arm slowly upward.

Securing the Machine (Transport Position)

– Pull out the transport safety lock (24), swing the tool arm by handle (1) toward the saw table (13) until it reaches the saw table. Pull out transport safety lock (24) and turn 90° and push in to secure.

The tool arm is now securely locked for transport.

Preparing for Operation

Mounting the Extension Bars

To extend the saw table additionally, extension bars are mounted both to the left and right of the power tool.

– Loosen the extension bar lock (29) then pull out the extension bar (15) to the desired length.

– Tighten the extension bar lock (29) to secure the extension bar (15)

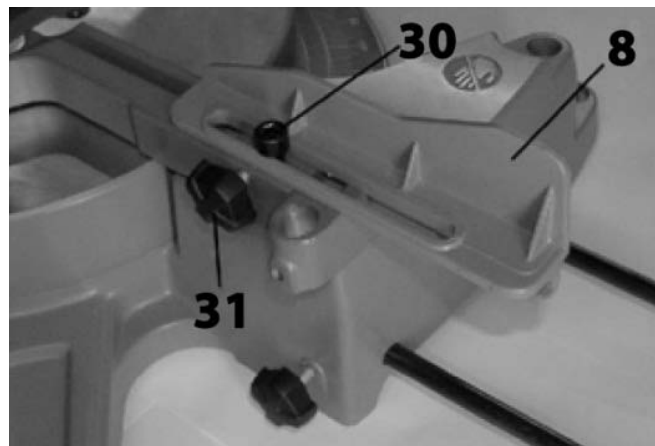
Extending the Fence

For bevel angles, the fence (8) must be extended.

– Loosen fence extension cap screw (30) using a hex key, and loosen fence extension lock (31).

– Slide out the fence (8) to the desired position

– Tighten the both (30) & (31) again.



PREPARING FOR OPERATION

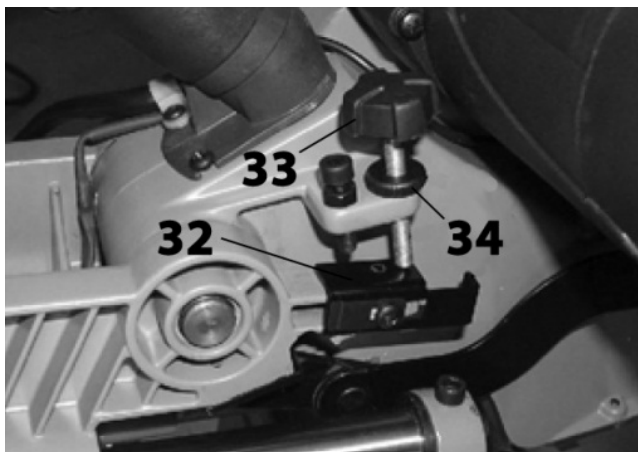
Setting the Trenching Facility

In its normally set position the trenching facility (19) permits the blade to cut completely through the workpiece, but when set the trenching facility (19) allows the blade to cut only part way through the workpiece.

– With the tool in the working position, pull the trenching stop (32) towards the front of the tool.

– Adjust the depth screw (33) to the desired length. Check height by pulling down blade as if to cut workpiece.

– Tighten the depth lock (34) to lock the depth screw into position.



Clamping the Workpiece

To ensure optimum working safety, the workpiece must always be firmly clamped.

Do not saw workpieces that are too small to clamp.

While clamping the workpiece, do not reach under the clamping lever of either of the clamps with your fingers.

– Press the workpiece firmly against the fence (8).

– Insert the fast clamp (7) into one of the holes intended for this purpose.

– Adapt the fast clamp to the workpiece by turning the threaded rod.

– Tighten the main screw in order to clamp the workpiece.

Adjusting the Cutting Angle

To ensure precise cuts, the basic adjustment of the machine must be checked and adjusted as necessary after intensive use.

Always tighten the locking knob (10) & (18) firmly before sawing.

Otherwise the saw blade can become wedged in the work piece.

Adjusting Standard Mitre Angles or Any Angle

For quick and precise adjustment of commonly used mitre angles, indents have been provided for on the saw table:

– Loosen the locking knob (10) in case it is tightened.

– Rotate the saw table (13) left or right to the requested indent.

– Tighten locking knob (10). As the table is turned the indents will click as they are passed.

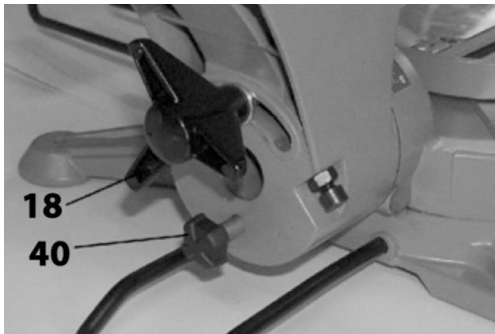
Use mitre gauge (11) to achieve desired angle.

PREPARING FOR OPERATION

Adjusting the Bevel Angle

The bevel angle can be set in the range from -45° to 45° .

- Loosen the bevel lock (18) and pull out positive stop knob (40).
- Tilt the tool arm by the handle (1) until the bevel gauge (16) indicates the desired bevel angle.



- Hold the tool arm in this position and retighten the bevel lock (18).

Using the Laser Guide System (17)

This feature allows your cuts to be accurate every time

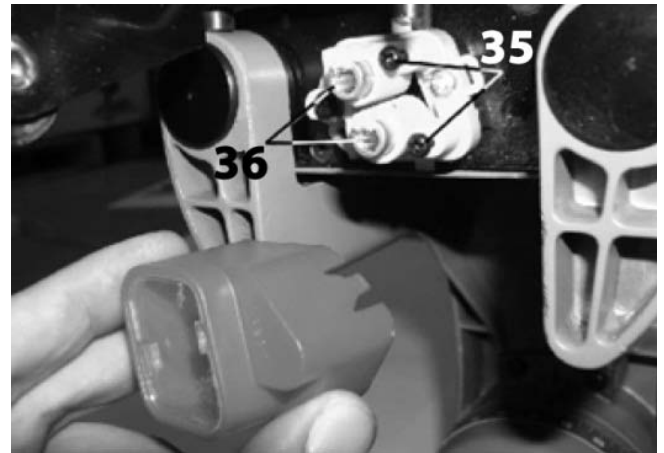
Do not stare directly into the laser beams

- Mark the line of the cut of your work piece.
- Adjust the mitre and/or bevel angles as required
- Press the laser on/off switch (2) and align the work piece cut line with either laser beam. The beams describe where the edges of the blade (6) will cut.
- Clamp the piece in place then cut as normal.

Adjusting the Laser guide System (17)

If your laser guide does not seem to be aligned with both side of the blade kerf, a small adjustment can be made.

- Place and clamp a scrap workpiece to the machine, and make a partial cut.
- Remove the laser guide protective cover.
- Loosen screws (35) next to the laser (36)
- Turn laser tips (36) until the beams are aligned with either side of the cut.
- Once aligned hold and retighten screws (35)



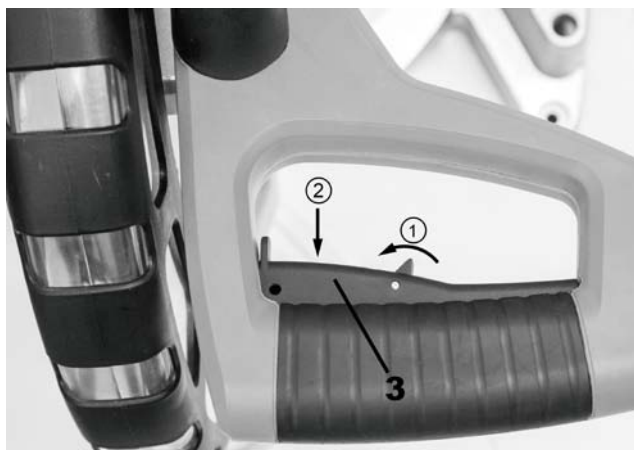
STARTING OPERATION

Starting Operation

Observe correct mains voltage! The voltage of the power source must agree with the voltage specified on the nameplate of the machine. Power tools marked with 230V can also be operated with 220V.

Switching On/off

- To turn on the saw, press the lock backward ① and squeeze the trigger switch ②.
- Release lock button and trigger switch to shut off.



Cross Cutting

When cutting, it is not always necessary to use the sliding carriage. In this case make sure that the sliding carriage lock (22) is tightened to prevent the saw arm from sliding.



- With the machine in working position, and the bevel and mitre angle set to desired angles and the workpiece clamped, loosen the sliding carriage lock (22), pull handle (1) towards you.
- Press the On/off switch (3), also press lever (4). Pull down on handle (1) and push the blade down through the workpiece then away from your body.
- Once the cut is complete raise the head and release the on/off switch (3) and lever (4).
- Wait until the blade has stopped spinning before removing the workpiece.

WORKING ADVICE

Working Advice

General Sawing Instructions

For all cuts, it must first be ensured that the saw blade at no time can come in contact with the fence, screw clamps or other machine parts. Remove possibly mounted auxiliary stops or adjust them accordingly.

Protect the saw blade against impact and shock.
Do not subject the saw blade to lateral pressure.

Do not saw warped/bent workpieces. The workpiece must always have a straight edge to face against the fence.

Long workpieces must be under laid or supported at their free end.

Position of the Operator

Do not stand in a line with the saw blade in front of the machine. Always stand aside of the saw blade. This protects your body against possible kickback.

– Keep hands, fingers and arms away from the rotating saw blade.

– Do not cross your arms when operating the tool arm.

Transport

Before transporting the power tool, the following steps must be carried out:

– Bring the machine into the transport position.

– Remove all accessories that cannot be mounted firmly to the power tool.

If possible, place unused saw blades in an enclosed container for transport.

– Carry the machine by the base or the carry handle only.

The power tool should always be carried by two persons in order to avoid back injuries.

When transporting the power tool, use only the transport devices and never use the protective devices.

Maintenance and Service

Maintenance and Service

Before any work on the machine itself, ensure the mains plug has been removed for the socket.

For safe and proper working of the tool, always keep the machine and any ventilation slots clear and clean from any dust or contaminants.

Maintenance and Cleaning

Aligning the Blade

- Set the machine in transport mode with the head locked down. Loosen the Locking Handle (18) and the two bolts in image below.



- Using a set square and pulling out the lock knob (40) set the blade perpendicular to the saw bed.

- Tighten the Locking Handle (18) when set, and then push in the Lock Knob (40).

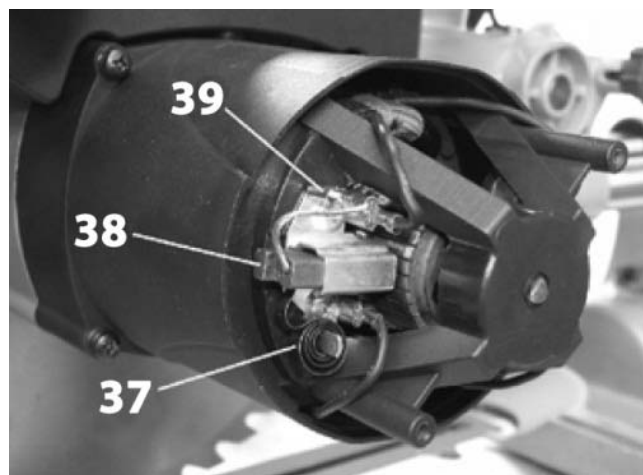
- Finally retighten the two screws in the above picture which will set the guide to be zero.

Replacing Carbon Brushes

Carbon brushes wear out over time and so you are provided with a replacement pair

- Remove the motor cap using a screw driver.
- Lower the retaining spring (37) and remove the carbon brush 38 from its mounting.
- Disconnect from terminal (39), and inspect brush. Replace if needed.
- Repeat for the second carbon brush.

If either of the brushes have worn down past the limit mark replace both brushes immediately



Cleaning

For safe and proper working, always keep the power tool and its ventilation slots clean.

The retracting blade guard must always be able to move freely and retract automatically. Therefore, always keep the area around the retracting blade guard clean.

Remove dust and chips after each working procedure by blowing out with compressed air or with a brush

LUMBERJACK GUARANTEE

1. Guarantee

1.1 Lumberjack guarantees that for a period of 12 months from the date of purchase the components of qualifying products (see clauses 1.2.1 to 1.2.8) will be free from defects caused by faulty construction or manufacture.

1.2. During this period Lumberjack, will repair or replace free of charge any parts which are proved to be faulty in accordance with paragraph 1.1 providing that:

1.2.1 You follow the claims procedure set out in clause 2

1.2.2 Lumberjack and its authorised dealers are given reasonable opportunity after receiving notice of the claim to examine the product

1.2.3 If asked to do so by Lumberjack or its Authorised dealer, you return the product at your own cost to Lumberjack's or supplying Authorised Dealer's premises, for the examination to take place clearly stating the Returns Material Authorisation number given by Lumberjack or an Authorised Dealer.

1.2.4 The fault in question is not caused by industrial use, accidental damage, fair wear and tear, wilful damage, neglect, incorrect electrical connection, misuse, or alteration or repair of the product without approval.

1.2.5 The product has been used in a domestic environment only

1.2.6 The fault does not relate to consumable items such as blades, bearings, drive belts, or other wearing parts which can reasonably be expected to wear at different rates depending on usage.

1.2.7 The product has not been used for hire purposes.

1.2.8 The product has been purchased by you as the guarantee is not transferable from a private sale.

2. Claims Procedure

2.1 In the first instance please contact the Authorised Dealer who supplied the product to you. In our experience many initial problems with machines that are thought to be faulty due to faulty parts are actually solved by correct setting up or adjustment of the machine. A good Authorised Dealer should be able to resolve the majority of these issues much more quickly than processing a claim under the guarantee. If a return is requested by the Authorised Dealer or Lumberjack, you will be provided with a Returns Material Authorisation number which must be clearly stated on the returned package, and any accompanying correspondence. Failure to provide a Returns Material Authorisation number may result in item being refused delivery at Authorised Dealer.

2.2 Any issues with the product resulting in a potential claim under the guarantee must be reported to the Authorised Dealer from which it was purchased within 48 hours of Receipt.

2.3 If the Authorised Dealer who supplied the product to you has been unable to satisfy your query, any claims made under this Guarantee should be made directly to Lumberjack. The Claim itself should be made in a letter setting out the date and place of purchase, giving a brief explanation of the problem which has led to the claim. This letter should be then sent with proof

LUMBERJACK GUARANTEE

of purchase to Lumberjack. If you include a contact number with this it will speed your claim up.

2.4 Please note that it is essential that the letter of claim reaches Lumberjack on the last day of this Guarantee at the latest. Late claims will not be considered.

3. Limitation of Liability

3.1 We only supply products for domestic and private use. You agree not to use the product for any commercial, business or resale purposes and we have no liability to you for any loss of profit, loss of business, business interruption or loss of business opportunity.

3.2 This Guarantee does not confer any rights other than these expressly set out above and does not cover any claims for consequential loss or damage. This Guarantee is offered as an extra benefit and does not affect your statutory rights as a consumer.

4. Notice

This Guarantee applies to all product purchased from an Authorised Dealer of Lumberjack within the United Kingdom. Terms of Guarantee may vary in other countries.

CE DECLARATION OF CONFORMITY

TOOLSAVE

Unit C, Manders Ind. Est.,
Old Heath Road, Wolverhampton,
WV1 2RP.
Tel: 01902 450 470

Declares that the MITRE SAW(SCMS305DB)

Is in compliance with the regulations included in the Directives:2006/42/EC

EC DECLARATION OF CONFORMITY

Certificate for EC-type examination delivered by TÜV Rheinland LGA Products GmbH – Tillystraße 2 – 90431 Nürnberg (Registration No.:AM 50439178 0001)

Person who declares: Bill Evans



01.07.2020

The Director

A handwritten signature in black ink, appearing to read 'Bill Evans', written over a faint, illegible stamp.

Parts List

No.	Description	No.	Description
1	Screw	32	Screw
2	Spring washer	33	Upper handle
3	Washer	34	Binding post
4	Belt cover	35	Switch
5	Socket head screw	36	Lower handle
6	Washer	37	Depth of cut adjust knob
7	Belt	38	Socket head screw
8	Gear lock pin	39	Nut
9	Gear lock pin spring	40	Knurled thin nut
10	E clip	41	Motor support
11	Belt pulley(big)	42	Screw
12	Belt pulley(small)	43	Bearing
13	Screw	44	Fan baffle
14	Hex grub screw	45	Stator
15	Exhaust port	46	Armature
16	Washer	47	Bearing
17	Spring washer	48	Wave washer
18	Screw	49	Rubber boot
19	Screw	50	Motor housing
20	Laser switch	51	Screw
21	Laser switch cap	52	Brush hold
22	Cable plug	53	Brush spring
23	Cord protector	54	Brush
24	Cold clamp	55	Screw
25	Screw	56	Motor cover
26	Cold clamp	57	Screw
27	Screw	58	Blade bolt
28	Transformer	59	Blade flange outer
29	Trigger	60	Blade
30	Screw	61	Blade flange inner
31	Carry handle	62	Screw

Parts List

No.	Description	No.	Description
63	Gear case cover	94	Linkage(B)
64	Bearing	95	Torsion spring
65	Shaft gear	96	Spring bushing
66	Flat key	97	Trench depth bracket
67	Bearing	98	Spring piece
68	Key	99	Wave washer
69	Spindle	100	Screw
70	C clip	101	Pivot shaft
71	Bearing	102	Steel wire baffle ring
72	Gear	103	Bracket
73	Bearing	104	Linear bearing
74	Fixed guard	105	Bearing cover
75	Dust pipe run	106	Screw
76	Sunk screw	107	Linear bearing
77	Nut	108	Spring loop
78	Plate guarding(big)	109	Knob(long)
79	Plate guarding(small)	110	Socket head screw
80	Moving guard plate	111	Lock pin
81	Big washer	112	Rolled pin
82	Screw	113	Lock pin spring
83	Spring	114	Lock pin cap
84	Cast centre	115	Bearing cover
85	Screw	116	Laser fixed plate
86	Rivet	117	Screw
87	Screw	118	Dual laser carrier
88	Moving guard	119	Screw
89	Moving guard cover	120	Laser
90	Shoulder screw	121	Screw
91	Linkage(A)	122	Laser case
92	Rivet	123	Laser window
93	Socket head screw	124	Hex grub screw

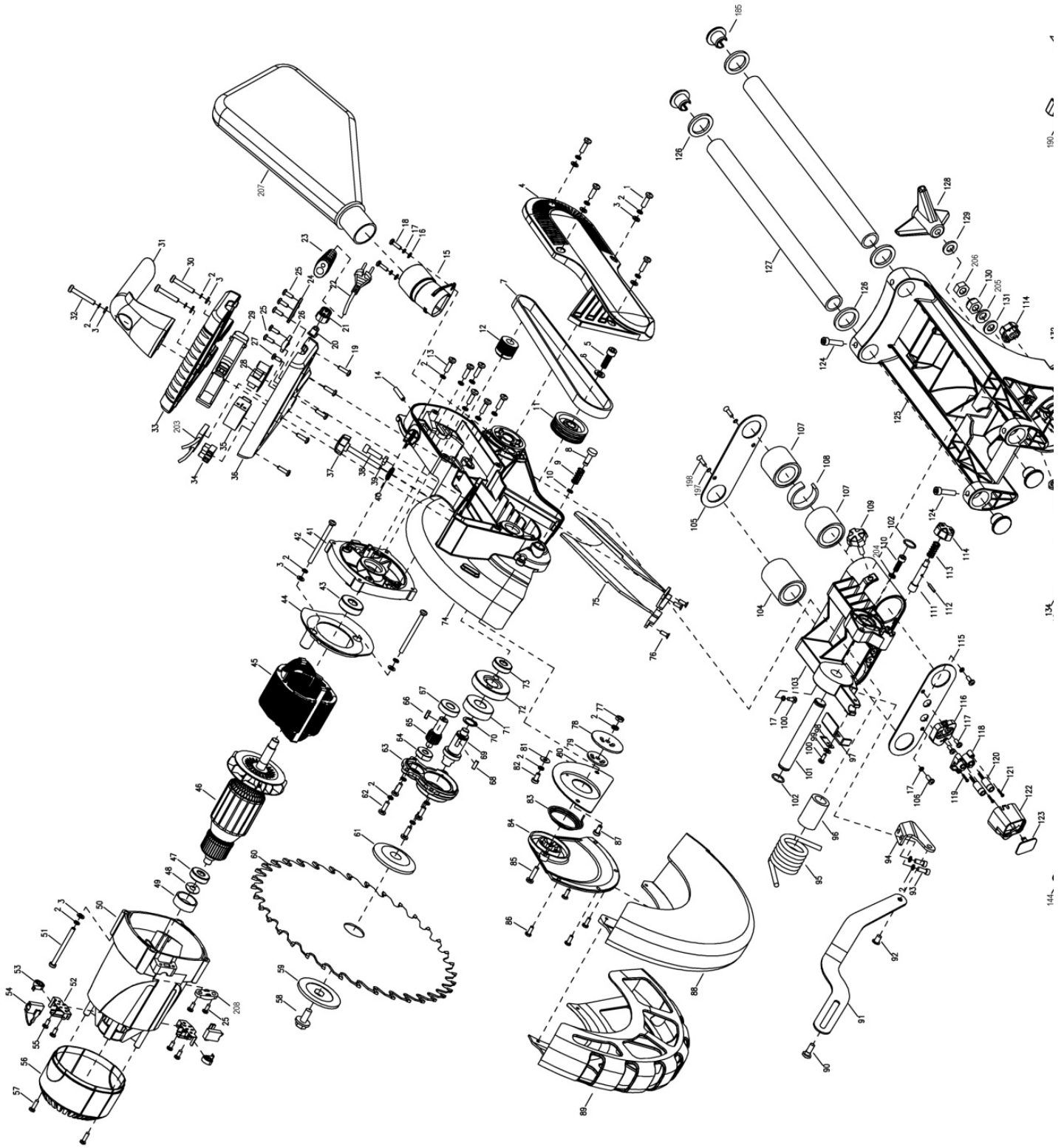
Parts List

No.	Description	No.	Description
125	Arm	156	Lock bolt
126	Rubber ring	157	Left support bar
127	Slide	158	Lock handle
128	Bevel lock handle	159	Screw
129	Washer	160	Lock handle cap
130	Locknut	161	Base
131	Washer	162	Rubber foot
132	Nut	163	Mitre scale
133	Socket head screw	164	Detent roll
134	Bevel pointer	165	Detent spring
135	Screw	166	Hex grub screw
136	Bevel scale	167	Bolt knurled
137	Straight cut setting pin	168	Spring washer
138	Stud	169	Screw
139	Stud	170	Right support bar
140	Locknut	171	Fence
141	Washer	172	Socket head screw
142	Screw	173	Left attach fence
143	Orientaion board	174	Screw
144	Screw	175	Clamp
145	Cutting insert	176	Support arm
146	Screw	177	Knob(short)
147	Turntable	178	Workpiece knob
148	Miter pointer	179	Support pole
149	Screw	180	Socket head screw
150	Turntable bolt	181	Knob(short)
151	Turntable bolt cover	182	Knob(long)
152	Screw	183	Right attach fence
153	Knob(long)	184	Socket head screw
154	Safety foot	185	Silde stopper
155	Lock boot	186	Lock handle cap

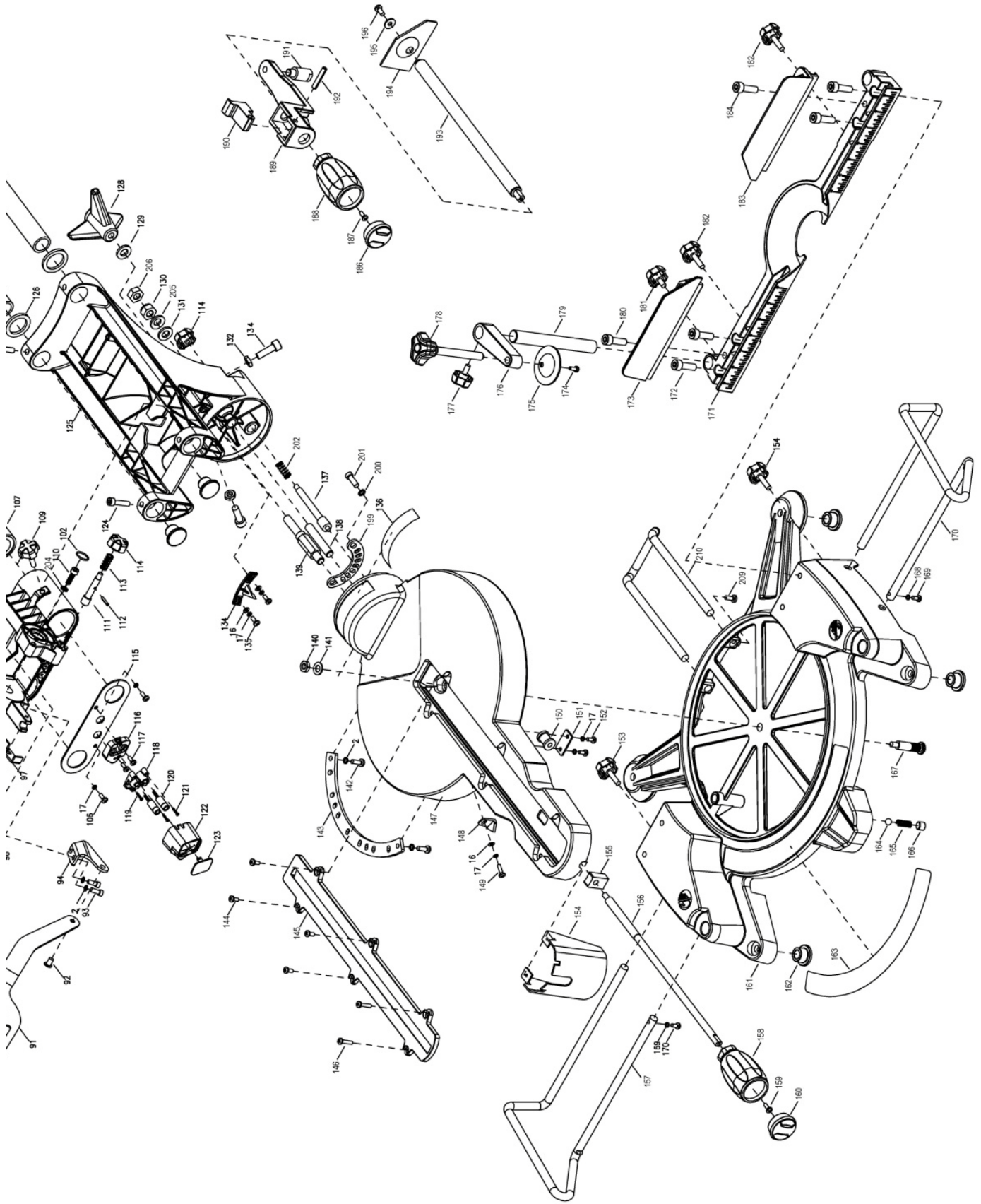
Parts List

No.	Description	No.	Description
187	Screw	199	Orientation board(small)
188	Lock handle	200	Spring washer
189	Fixture	201	Socket head screw
190	Locked nut	202	Spring
191	Pin	203	Capacitor
192	Roled pin	204	Spring washer
193	Lock bolt	205	Wave washer
194	Pressure plate	206	Nut
195	Washer	207	Dust bag
196	Screw	208	Cold clamp
197	Lock washer	209	Screw
198	Head sunk screw	210	Support bar

Parts Diagram



Parts Diagram



Parts Diagram

