



ORIGINAL INSTRUCTIONS

PRODUCT SPECIFICATION

Bench Top Router Table	
Table Size(Length x Width)	650x400mm
Table Opening Size	80mm
Table Insert Opening Size	6.35 / 12.7 / 35 / 65mm
Fence size	620 x 63.5mm (24-1/2"X2-1/2")
Fence Board Offsets	0.8mm (1/32") / 1.6mm (1/16")
T-Slot Size	19mm (3/4")
Dust port Size	63.5mm (2-1/2")

SAFETY INSTRUCTIONS

WARNING: When using this table with an electric tool, basic safety precautions, including the following, should always be followed to reduce the risk of fire, electric shock and personal injury.

Read all these instructions before operating this product and save the instructions.

GENERAL

1. Read and understand manual.

For your own safety, read and understand the entire instruction manual before operating.

2. Read and understand warning label.

Read and understand the warning labels posted on the machine.

3. Keep work area clean.

Cluttered areas and benches invite injuries.

4. Consider work area environment.

Do not use this tool in damp or wet locations. Keep work area well lit.

5. Guard against electric shock.

Avoid body contact with earthed or grounded surfaces (e.g. pipes, radiators, ranges, refrigerators).

6. Keep children away.

All children should be kept away from the tool when in use.

7. Tool Storage.

When not in use, tools should be stored in a dry area, out of reach of children.

8. Dress properly.

Do not wear loose clothing or jewelry, they can be caught in moving parts. Rubber gloves and non-skid footwear are recommended when working outdoors. Wear protective hair covering to contain long hair.

9. Use safety glasses and hearing protection.

Also use face or dust mask if the cutting operation is dusty.

ADDITIONAL SATETY RULES FOR THIS PRODUCT

Serious cuts, amputation, entanglement, or death can occur from contact with spinning bits. Improperly secured bits or spindle parts/fasteners can fly off and strike nearby operators or bystanders with great force. Flying dust or debris from cutting operation can cause eye injuries or blindness. To minimise risk of getting hurt or killed, anyone operating this router **MUST** have read the hazards and warnings below.

- 1. AVOIDING AMPUTATION.** To avoid making contact with spinning router bit, never place hands directly over or in front of the bit. As one hand approaches the bit, move it away and over to the other side. Always keep hands at least 6" away from the spinning bit.
- 2. SECURING LEVERS AND KNOBS.** Never operate the router table without first making sure all lock levers and knobs are tight, and all fence hardware and guide rails are secure. Otherwise, work pieces can slip out of alignment while cutting and cause injury from kickback.
- 3. DO NOT FORCE WORKPIECE.** Never force materials through the router table. Let your router bit do the work. Excessive force is likely to result in poor cutting results or kickback that could cause serious personal injury.
- 4. BLIND CUTTING.** Keep router bit on underside of work piece when making blind cuts. This will decrease risk of accidental contact with spinning bit.
- 5. ROUTER BIT ROTATION.** Always feed work piece against rotation direction of bit. Otherwise, work piece could be aggressively pulled from your hands, drawing them into spinning bit.
- 6. ROUTER BIT HEIGHT.** Keep any unused portion of bit below the table surface to minimise risk of your hand contacting spinning bit.
- 7. ROUTER BIT SPEED.** Do not exceed rated speed of any router bit. Doing so can cause bit to fracture or explode and cause injury.
- 8. CUTTING SUPPORT.** NEVER cut work piece without using a fence, jig, or mitre gauge as a support guide. Otherwise, work piece could be aggressively pulled from your hands, drawing them into the spinning bit.
- 9. WORKPIECE SIZING.** NEVER use work pieces shorter than 6" without special fixtures or jigs. Otherwise, work piece can become trapped between fence and router bit, which could draw your hands into the spinning bit.
- 10. APPROPRIATE WORKPIECES.** Danger of kickback and injury is increased when work piece has knots, holes, or foreign objects in it. Warped stock should be flattened with a jointer before you shape it with a router.

CARTON CONTENTS

UNPACKING AND CHECKING CONTENTS

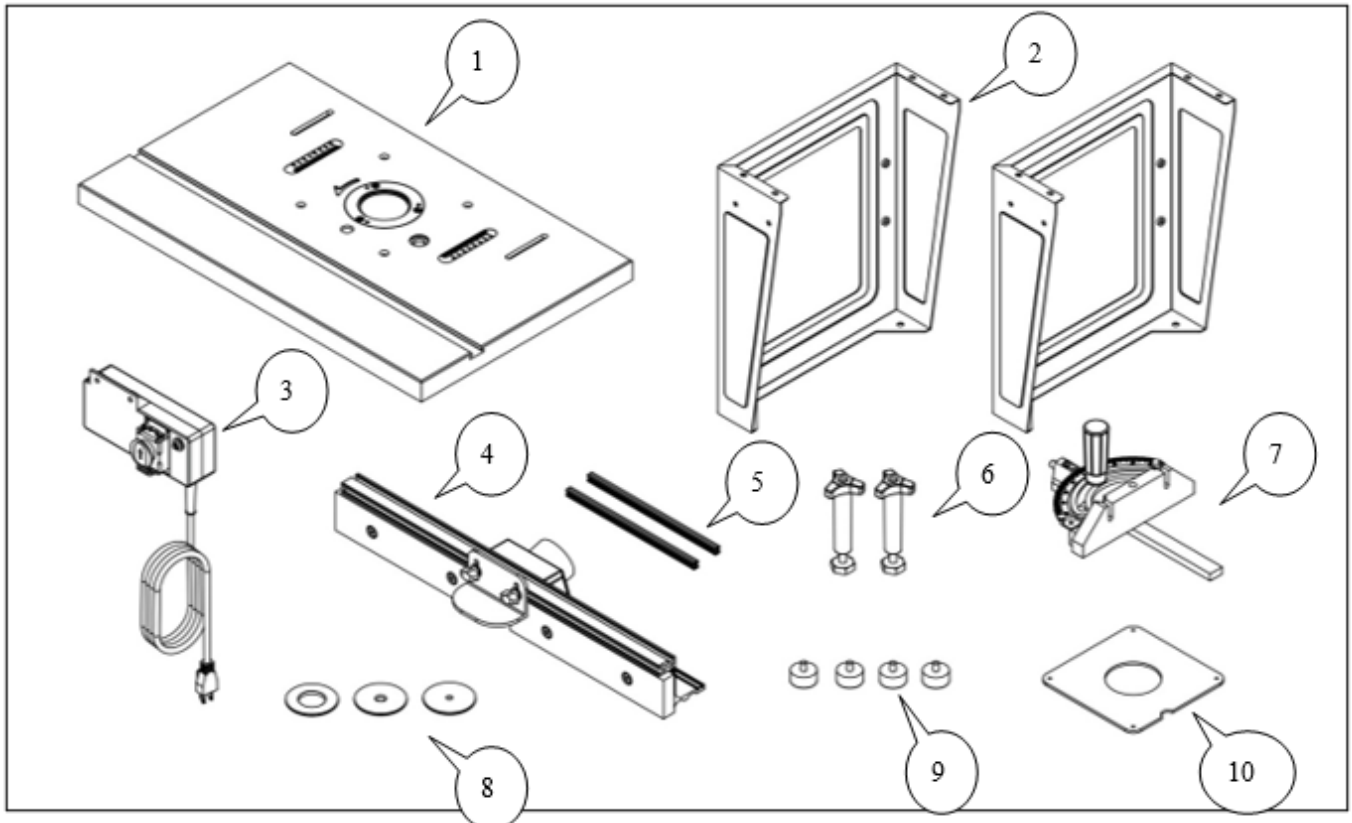
Carefully unpack the tool and all its parts, and compare against the illustration following.

WARNING:

- If any part is missing or damaged, do not plug the machine in until the missing or damaged part is replaced, and assembly is complete.

TABLE OF LOOSE PARTS

Unpack carton; check your tool to see parts listed below:

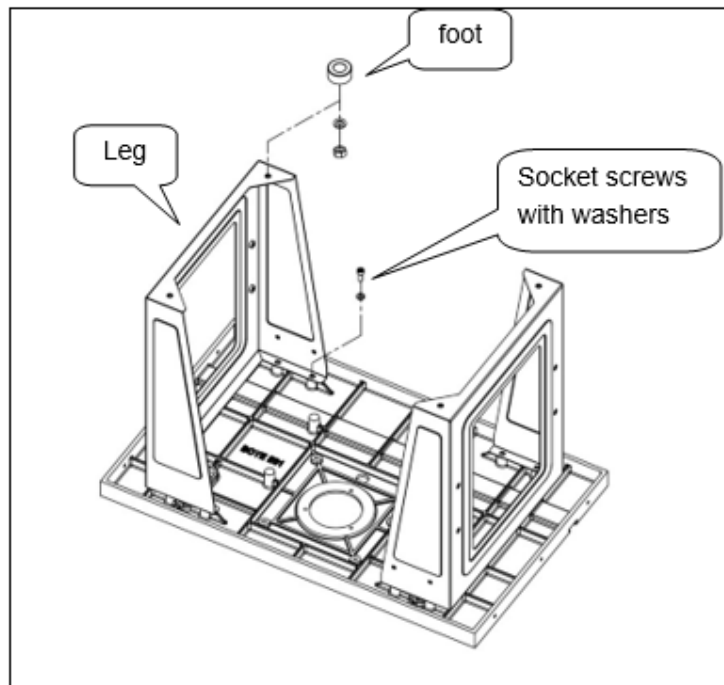


1. Table (1)
2. Legs (2)
3. Switch box with power cord (1)
4. Fence assembly (1)
5. Fence Board Offsets bar (2)
6. Fence lock knob with bushing and nut (2)
7. Miter gauge (1)
8. Table insert (3)
9. Foot (4)
10. Mounting plate (1)
11. Hardware bag (not shown)
 - M5X16 Flat head screw (4)
 - M6X16 Flat head screw (4)
 - 5mm Hex wrench (1)
 - 8mm Flat washer (4)
 - M8 Hex nut (4)

ASSEMBLY

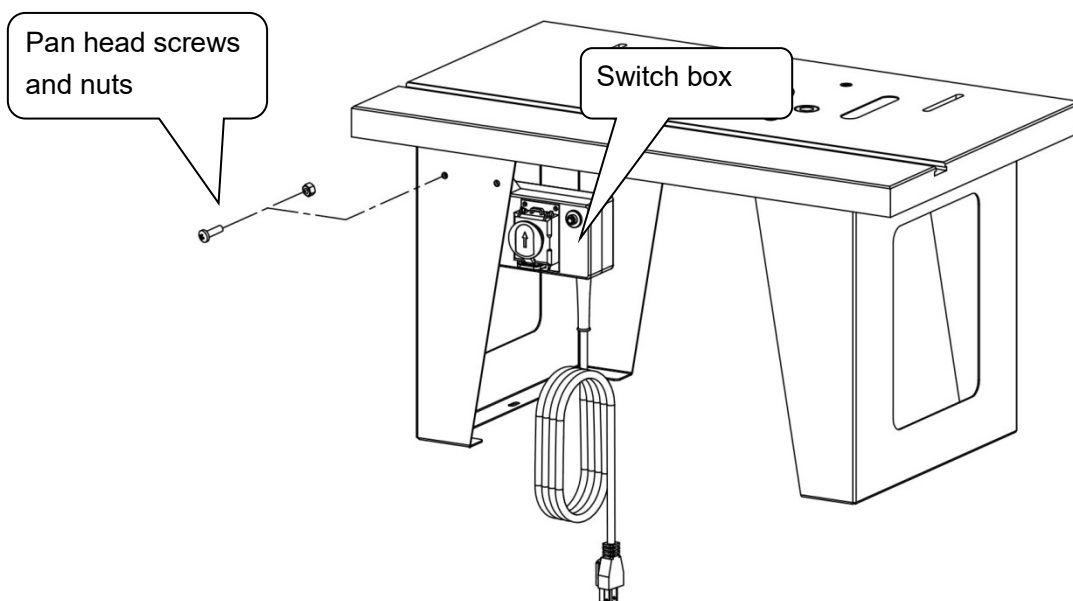
ATTACHING THE LEGS TO THE TABLE

- Place the table upside down on a desk, attach a leg to the table by using four M6X16 socket head screws and four 6mm flat washers. Repeat the step to attach another leg.
- Attach four feet to the holes on bottom of the legs, secure with four M8 hex nuts and 8mm flat washers.
- After the legs and feet are installed, stand the machine upright.



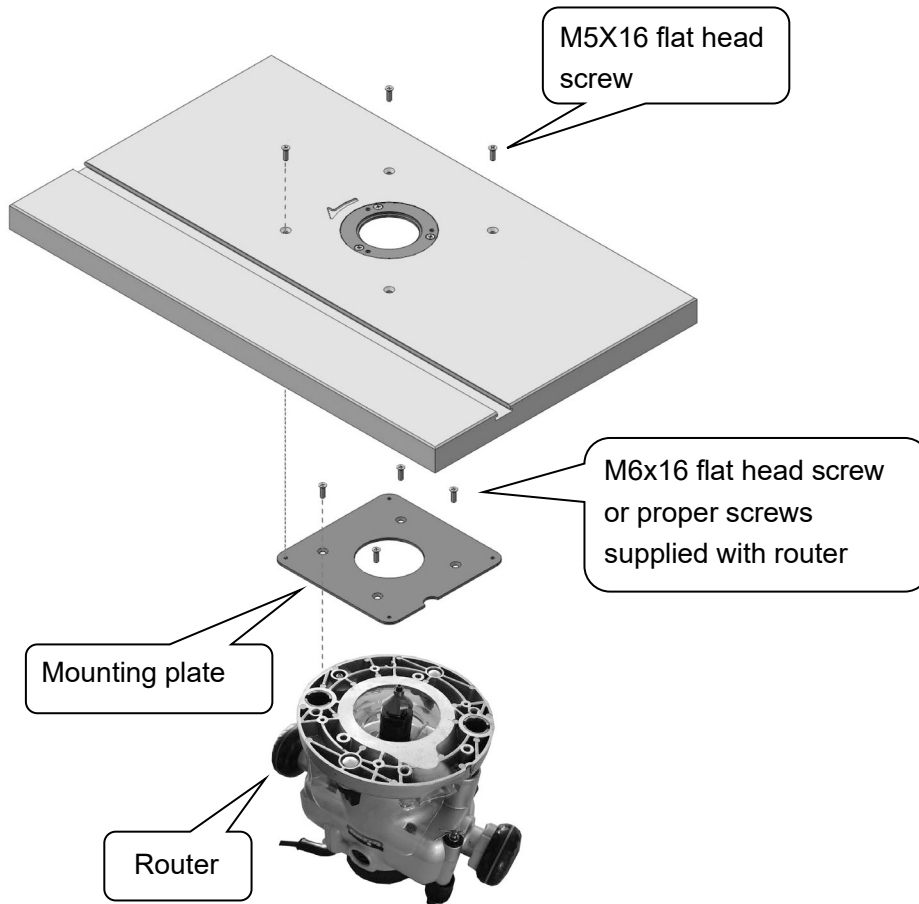
INSTALL SWITCH BOX TO LEG

Attach the switch box assembly to the leg using two M6X16 pan head screws and two M6 hex nuts.



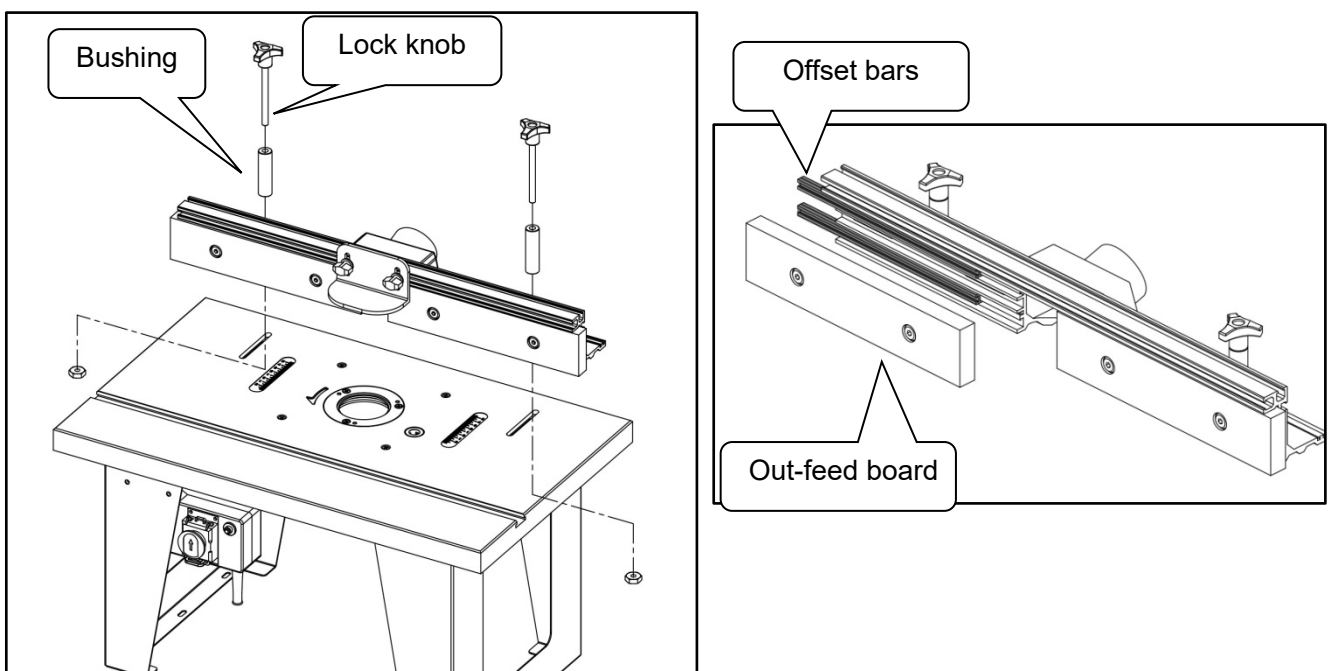
INSTALL ROUTER

- Install the mounting plate to your router by using four M6X16 flat head screws or other proper screws.
- Attach the mounting plate with your router to the table, fix them by using four M5X16 flat head screw.
- Connect your router to the power socket on the switch box.



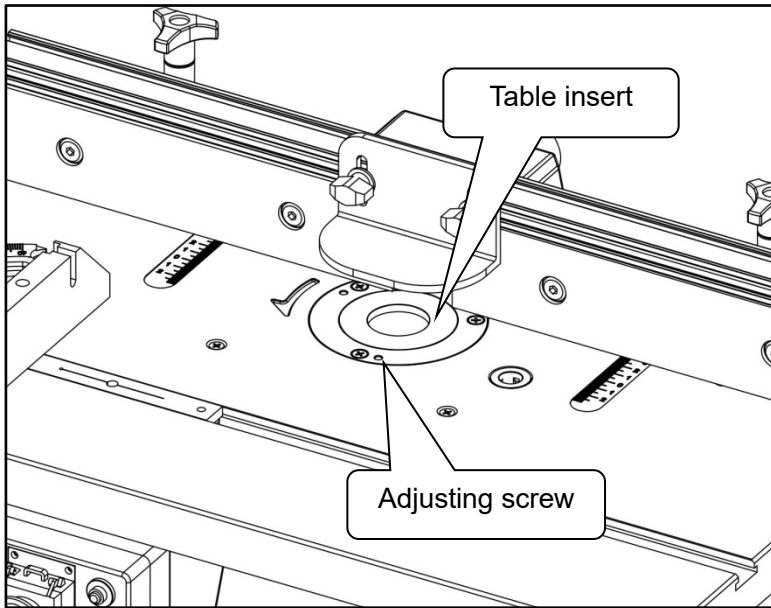
INSTALL FENCE TO TABLE

- Install the fence assembly onto the table using two lock knobs, bushings and hex nuts.
- Align the fence to the scale on the table, adjust it to your desired position and tighten the knobs.
- If needed, Install the fence board offset bars between the out-feed board and the aluminum fence base. It can be made 0.8mm or 1.6mm outfeed board offset.



INSTALLING THE TABLE INSERT

Three sizes of table inserts are provided, please choose according to your needs and install it to the table. If the height of the table insert is not level with the table, it can be adjusted by the adjusting screws.



OPERATION INSTRUCTIONS

This machine creates a lot of wood chips/ dust during operation. Breathing airborne dust on a regular basis can result in permanent respiratory illness. Reduce your risk by wearing a respirator and capturing the dust with a dust collection system.

We would recommend the operator to do the following:

1. Examine your work piece to make sure it is suitable for routing
2. Adjust the fences close to the bit for maximum work piece support, then secure fences in place.
3. Adjust the bit height for desired cutting profile.
4. Adjust the fence position to establish depth of cut and make sure that it is parallel with the tables T-slot.
5. Wear safety glasses, hearing protection, and a respirator. Locate push stick or block if needed.
6. Hold the work piece firmly and flat against the table and fence, then push the work piece towards the bit at a steady and controlled rate until work piece moves completely beyond the router bit.
7. Stop the router once operation is complete.

PARTS LIST

1	Pan head screw M6X20	2
2	Flat washer 6mm	2
3	Dust port	1
4	Square nut M6	2
5	Wing knob	4
6	Flat washer 6mm	4
7	Knob bolt	2
8	Fence	1
9	Hex nut	2
10	Square nut M6	2
11	Router bit guard	1
12	Flat washer 6mm	2
13	Knob	2
14	Screw	4
15	Fence board	2
16	Table	1
17	Set screw M5X4	3
18	Flat head screw M5X10	3
19	Fixing table insert	1
20	Bushing	1
21	Flat head screw M5X16	4
22	Mounting plate 1	1
23	Leg	2
24	Flat washer 6mm	8
25	Socket head screw M6X12	8
26	Hex nut M6	2
27	Pan head screw M6X16	2
28	Plug socket	2
29	Self threading screw ST2.9X16	6
30	Rear switch cover	1
31	Cord clamp	1
32	Self threading screw ST3.5X16	2
33	Rubber bushing	1
34	Power cord	1
35	Pan head screw M5X10	3
36	Lock washer 5mm	3

37	Flat washer 5mm	3
38	Serrated washer 5mm	3
39	Self threading screw ST3.5X9.5	2
40	Grounding plate	1
41	Front Switch cover	1
42	Self threading screw ST3.5X9.5	3
43	Switch	1
44	Circuit breaker	1
45	Handle	1
46	Flat washer 8mm	1
47	Pan head screw M4X16	3
48	Hex nut M4	3
49	Pan head screw M4X10	1
50	Pointer	1
51	Position pin	1
52	Bracket	1
53	Miter gauge	1
54	Sliding bar	1
55	Pan head screw M4X12	2
56	Screw	1
57	Hex nut M8	4
58	Flat washer 8mm	4
59	Foot	4
60	Table insert 35mm	1
61	Table insert 12.7mm	1
62	Table insert 6.35mm	1
63	Fence Board Offsets bar	2
64	Flat head screw M6X16	4
65	Hex wrench 5mm	1

EXPLODED VIEW

