



ORIGINAL INSTRUCTIONS

TABLE OF CONTENTS

Welcome to Lumberjack!

Dear customer, Congratulations on your purchase. Before using the product for the first time please be sure to read these instructions for use.

They provide you with all information necessary for using the product safely and to ensure its long service life.

Closely observe all safety information in these instructions!

General Power Tool Safety Warnings.....	01
Symbols & Cable Rating Chart	05
Machine Details and Product Features.....	06
Assembly.....	07
Operation, Maintenance and Service.....	09
Lumberjack Guarantee.....	11
Declaration of Conformity.....	13
Parts List.....	14
Parts Diagram.....	17

GENERAL POWER TOOL SAFETY WARNINGS

WARNING Read all safety warnings and all instructions. Failure to follow the warnings and instructions may result in electric shock, fire and/or serious injury.

Save all warnings and instructions for future reference. The term "power tool" in the warnings refers to your electric (corded) power tool or battery-operated (cordless) power tool.

1. Work area safety

a) Keep work area clean and well lit. Cluttered or dark areas invite accidents.

b) Do not operate power tools in explosive atmospheres, such as in the presence of flammable liquids, gases or dust. Power tools create sparks which may ignite the dust or fumes.

c) Keep children and bystanders away while operating a power tool. Distractions can cause you to lose control.

2. Electrical safety

a) Power tool plugs must match the outlet. Never modify the plug in any way. Do not use any adapter plugs with grounded power tools. Unmodified plugs and matching outlets will reduce risk of electric shock.

b) Avoid body contact with grounded surfaces, such as pipes, radiators, ranges and refrigerators. There is an increased risk of electric shock if your body is grounded.

c) Do not expose power tools to rain or wet conditions. Water entering a power tool will increase the risk of electric shock.

d) Do not abuse the cord. Never use the cord for carrying, pulling or unplugging the power tool. Keep cord away from heat, oil, sharp edges or moving parts. Damaged or entangled cords increase the risk of electric shock.

e) When operating a power tool outdoors, use an extension cord suitable for outdoor use. Use of a cord suitable for outdoor use reduces the risk of electric shock.

f) If operating a power tool in a damp location is unavoidable, use a residual current device (RCD) protected supply. Use of an RCD reduces the risk of electric shock.

3. Personal safety

a) Stay alert, watch what you are doing and use common sense when operating a power tool. Do not use a power tool while you are tired or under the influence of drugs, alcohol or medication. A moment of inattention while operating power tools may result in serious personal injury.

b) Use personal protective equipment. Always wear eye protection. Protective equipment such as dust mask, non-skid safety shoes, hard hat, or hearing protection used for appropriate conditions will reduce personal injuries.

c) Prevent unintentional starting. Ensure the switch is in the off position before connecting to power source and/or battery pack, picking up or carrying the tool. Carrying power tools with your finger on the switch or energising power tools that have the switch on invites accidents.

d) Remove any adjusting key or wrench before turning the power tool on. A wrench or a key left attached to a rotating part of the power tool may result in personal injury.

GENERAL POWER TOOL SAFETY WARNINGS

e) Do not overreach. Keep proper footing and balance at all times. This enables better control of the power tool in unexpected situations.

f) Dress properly. Do not wear loose clothing or jewellery. Keep your hair, clothing and gloves away from moving parts. Loose clothes, jewellery or long hair can be caught in moving parts.

g) If devices are provided for the connection of dust extraction and collection facilities, ensure these are connected and properly used. Use of dust collection can reduce dust-related hazards.

4. Power tool use and care

a) Do not force the power tool. Use the correct power tool for your application. The correct power tool will do the job better and safer at the rate for which it was designed.

b) Do not use the power tool if the switch does not turn it on and off. Any power tool that cannot be controlled with the switch is dangerous and must be repaired.

c) Disconnect the plug from the power source and/or the battery pack from the power tool before making any adjustments, changing accessories, or storing power tools. Such preventive safety measures reduce the risk of starting the power tool accidentally.

d) Store idle power tools out of the reach of children and do not allow persons unfamiliar with the power tool or these instructions to operate the power tool. Power tools are dangerous in the hands of untrained users.

e) Maintain power tools. Check for misalignment or binding of moving parts, breakage of parts and any other condition that may affect the power tool's operation. If damaged, have the power tool repaired before use. Many accidents are caused by poorly maintained power tools.

f) Keep cutting tools sharp and clean. Properly maintained cutting tools with sharp cutting edges are less likely to bind and are easier to control.

g) Use the power tool, accessories and tool bits etc. in accordance with these instructions, taking into account the working conditions and the work to be performed. Use of the power tool for operations different from those intended could result in a hazardous situation.

5. Service

a) Have your power tool serviced by a qualified repair person using only identical replacement parts. This will ensure that the safety of the power tool is maintained.

b) If the replacement of the supply cord is necessary, this has to be done by the manufacturer or its agent in order to avoid a safety hazard.

6. Battery Tool Use and Care

a) Recharge only with the charger specified by the manufacturer. A charger that is suitable for one type of battery pack may create a risk of fire when used with another battery pack.

b) Use power tools only with specifically designated battery packs. Use of any other battery packs may create a risk of injury or fire.

GENERAL POWER TOOL SAFETY WARNINGS

c) When Battery pack is not in use, keep it away from other metal objects, like paper clips, coins, keys, nails, screws or other small metal object that can make a connection from one terminal to another. Shorting the battery terminals together may cause burns or a fire.

d) User abusive conditions, liquid may be ejected from the battery; Avoid contact. If contact accidentally occurs, flush with copious amounts of water. If liquid contacts eyes, seek medical help immediately. Liquid ejected from the batter may cause irritation or burns.

7 Additional Safety and Working Instructions

a) Dusts from materials such as lead-containing coatings, some wood types, minerals and metals can be harmful to one's health and cause allergic reactions, leading to respiratory infections and/or cancer. Materials containing asbestos may only be worked by specialists. Observe the relevant regulations in your country for the materials to be worked.

b) Prevent dust accumulation at the workplace. Dusts can easily ignite.

8 Additional Safety Warning for Band Saws

a) Wait for the cutter to stop before setting the tool down. An exposed rotating cutter may engage the surface leading to possible loss of control and serious injury.

b) Hold the power tool by insulated gripping surfaces only, because the cutter may contact its own cord. Cutting a "live" wire may make exposed metal parts of the power tool "live" and could give the operator an electric shock.

c) Use clamps or another practical way to secure and support the work piece to a stable platform. Holding the work by your hand or against the body leaves it unstable and may lead to loss of control.

d) Use suitable detectors to determine if utility lines are hidden in the work area or call the local utility company for assistance. Contact with electric lines can lead to fire and electric shock. Damaging a gas line can lead to explosion. Penetrating a water line causes property damage or may cause an electric shock.

e) Do not reach into the saw dust ejector with your hands. They could be injured by rotating parts.

f) Apply the machine to the work piece only when switched on. Otherwise there is danger of kickback when the cutting tool jams in the work piece.

g) When working, always hold the planer in such a manner that the planer base plate faces flat on the work piece. Otherwise the planer can become wedged and lead to injuries.

h) Never plane over metal objects nails or screws. The planer blade and the blade shaft can become damaged and lead to increased vibrations.

GENERAL POWER TOOL SAFETY WARNINGS

9. Using an Extension Cable.

a) If an extension cable is required, use an approved triple core extension cable suitable for the power input of the tool.

b) Grounded tools always require a three wire extension cable.

c) As the distance from the supply outlet increases you must use a heavier gauge extension cable. Using extension cables with inadequately sized wire causes a serious drop in voltage, resulting in loss of power and possible tool damage.

d) The smaller the gauge number of the wire the greater the capacity of the cord.

e) When using a cable reel, always unwind the cable completely.

SYMBOLS AND POWER RATING CHART



Danger! – Read the operating instructions to reduce the risk of injury.



Caution! Wear safety goggles.



Caution! Wear ear defenders. The impact of noise can cause damage to hearing.



Caution! Risk of Injury! Do not reach into the running saw blade.



Caution! Wear a dust mask.

**UK
CA**

MACHINE DETAILS AND PRODUCT FEATURES

Machine Details

Specifications:

Mains Voltage -	230V / 50Hz
Power Consumption -	1500W
Max. Width -	330mm
Max. Height -	152mm
Max. Planing Depth: at Widths >152mm -	0.8mm
at Widths <152mm -	2.8mm
Feed Rate -	7.5m/min
No Load Speed -	8500rpm
Gross Weighth -	35kg
Nett Weight -	32kg

Package Contents:

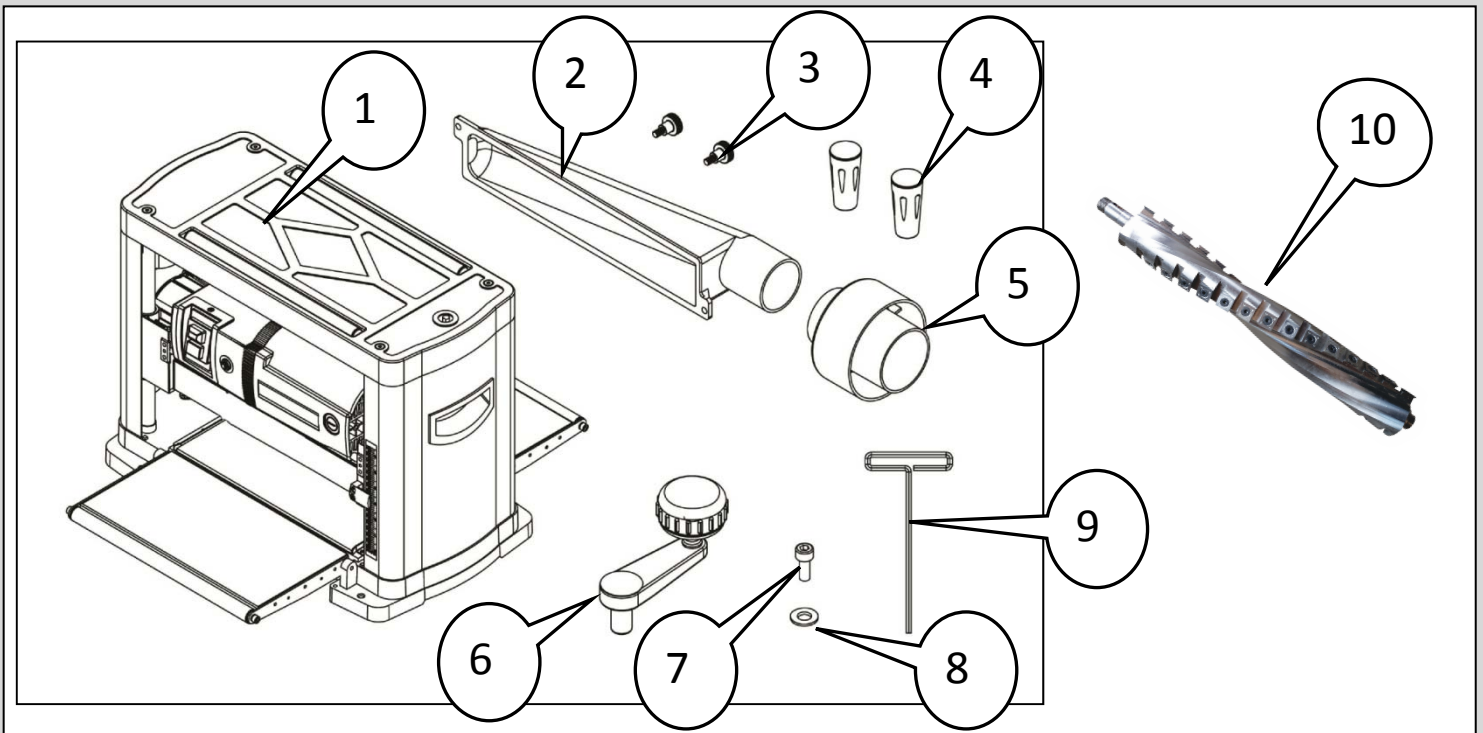
Planer Thicknesser
Dust Chute
Wrench

Intended Use

The power tool is intended as a stationary machine for the planing or jointing of wood or wood based materials when suitable cutter is fitted.

Product Features

1. Thickness Planer x 1
2. Dust Chute x 1
3. Thumb Screw x 2
4. Magnet x 2
5. Adapter x 1
6. Crank handle x 1
7. Socket head bolt x 1
8. Flat washer x 1
9. Hex wrench x 1
10. Helical Cutter Head
(Includes) Spare Helical Blades



ASSEMBLY INSTRUCTIONS

Assembly

Avoid unintentional starting of the machine.
During assembly and for all work on the machine, the power plug must not be connected to the mains supply.

Carefully remove all parts included in the delivery from their packaging.

Remove all packaging material from the machine and the accessories provided.

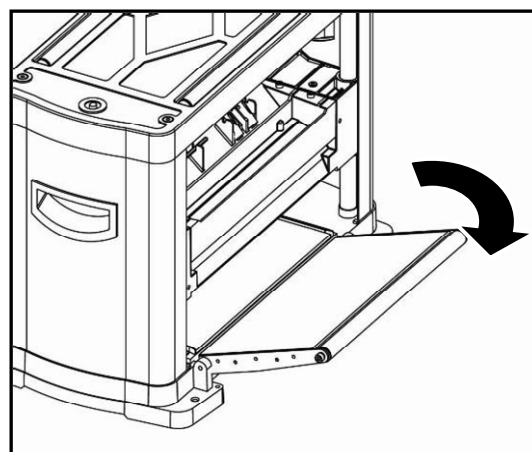
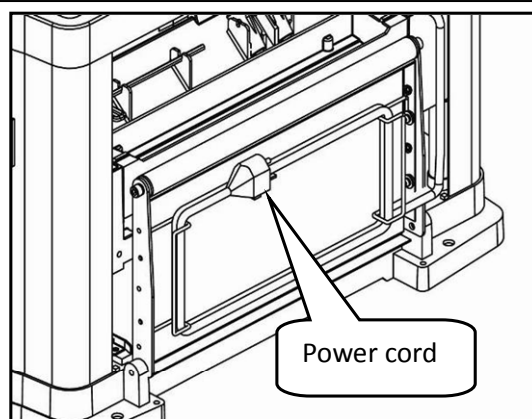
Before starting the operation of the machine for the first time, check if all parts listed in the box content section have been supplied

Note: Check the power tool for possible damage. Before further use of the machine, check that all protective devices are fully functional. Any lightly damaged parts must be carefully checked to ensure flawless operation of the tool. All parts must be properly mounted and all conditions fulfilled that ensure faultless operation.

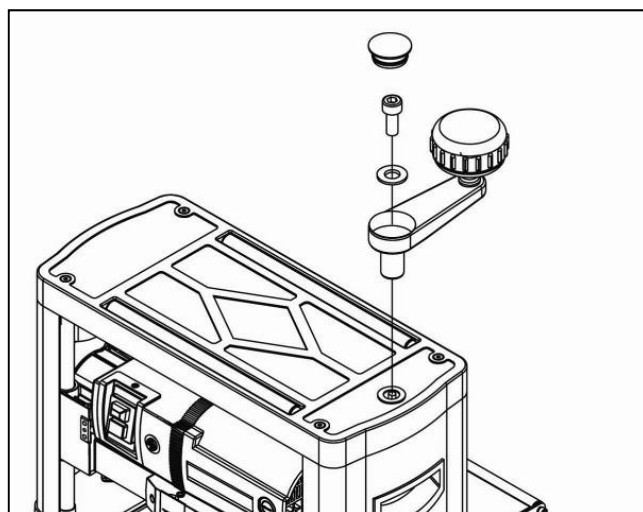
Damaged protective devices and parts must be immediately replaced by an authorised service centre.

WARNING: Do not connect to power supply until assembly is complete. Failure to comply could result in accidental starting and possible serious personal injury.

- Unwrap the power cord from the cord storage underneath the out-feed table.
- Lower the in-feed and out-feed tables.

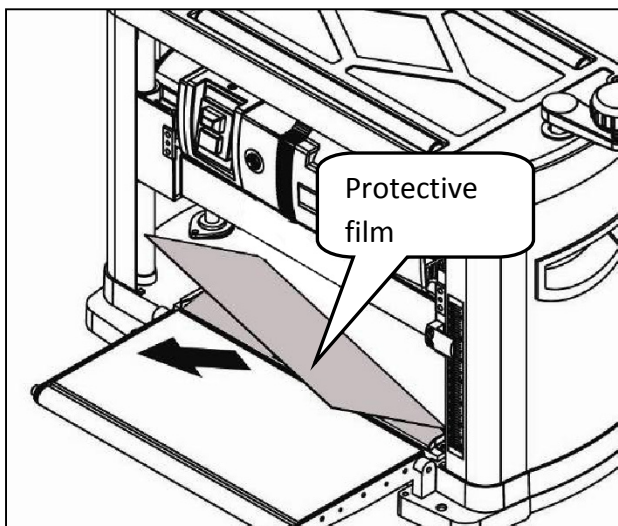
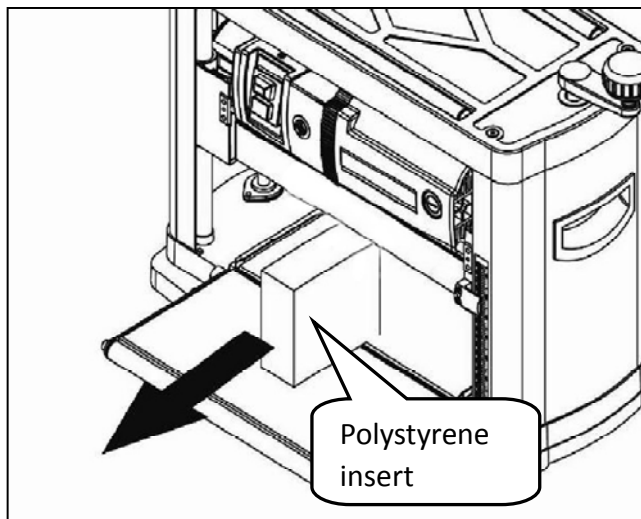


–Place the washer over the socket head bolt and feed the bolt into the handle. Tighten the bolt to secure the handle in position. Place the handle cap onto the handle.



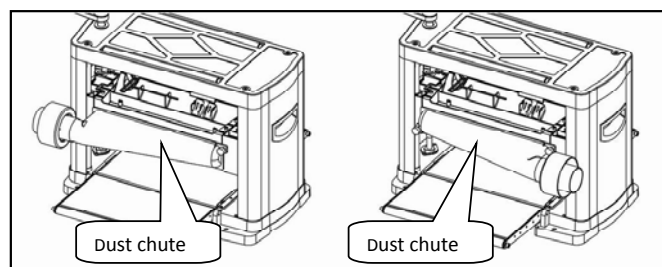
ASSEMBLY INSTRUCTIONS

- Remove the polystyrene insert located between the main table and the blade drum.
- Peel the protective film from the main table.

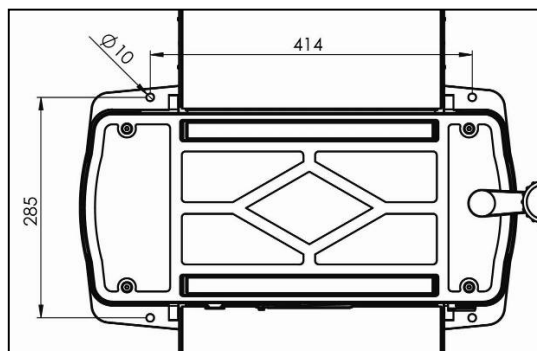
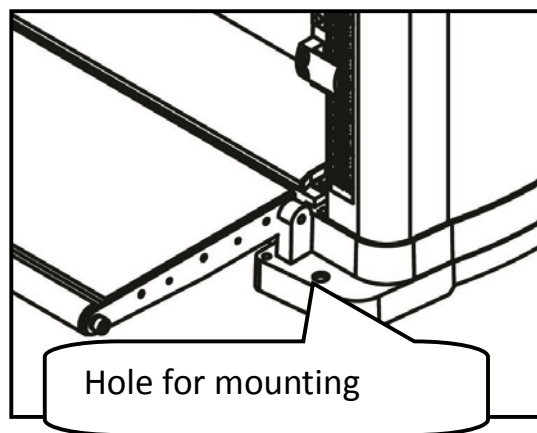


- Attach the dust chute to the machine using two thumb screws. The dust chute can be mounted to direct chips to either side of thickness planer.

Note. It is recommended that the thicknesser be used with a dust extraction system for a cleaner and safer working environment. Using a dust extraction system will also help prevent clogging of the dust chute. An adapter is provided for matching dust extraction system better.



- The thicknesser features four holes in the base for mounting to a workbench or worktable.
- The thicknesser should be mounted level bench or table before operation.

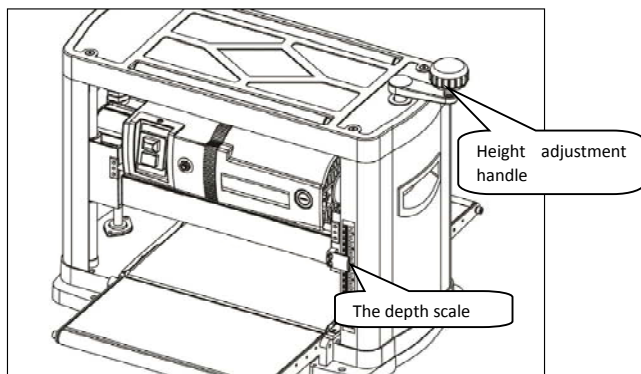


OPERATION & MAINTENANCE AND SERVICE

Operation

Observe the safety instructions and symbols on machine before operation.

- Rotate the height adjustment handle for raising or lowering the cutterhead.
- The depth scale shows the height of cutterhead above the main table.



Avoiding snipe

- Snipe is caused by the board tilting slightly towards the beginning and the end of the thickening operation.
- It shows as lines at the ends of the board, parallel with the cutterhead.
- To avoid snipe, either support the board on extension tables set to the same level as the in-feed and out-feed tables, or mount the machine in a recess in the bench so that the feed tables are level with the bench.

Maintenance and Service

Maintenance and Cleaning

Before any work on the dust collector itself, pull the mains plug.

For safe and proper working, always keep the dust collector and ventilation slots clean.

If the replacement of the supply cord is necessary, this has to be done by an authorized service agent in order to avoid a safety hazard.

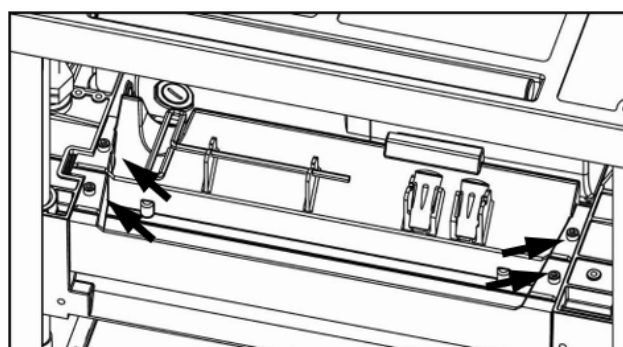
If the dust collector should fail despite the care taken in manufacturing and testing procedures, repair should be carried out by an authorised service centre.

To change the blades

If the machine planes unevenly or tends to gouge, the blades must be changed.

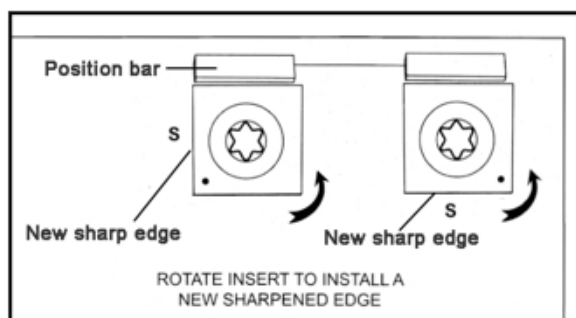
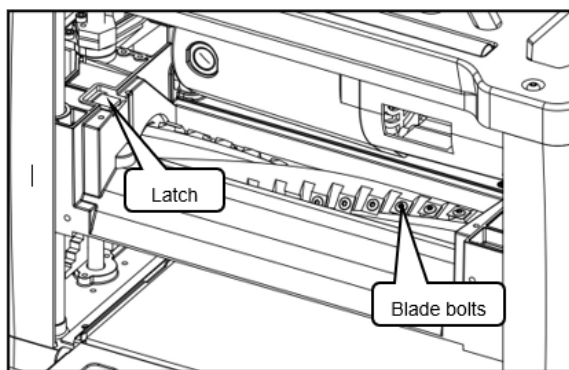
To remove the blades, proceed as follows.

- Remove the dust chute.
- Loosen and remove four screws from blade guard on the rear side of thicknesses.
- Remove blade guard.



MAINTENANCE AND SERVICE

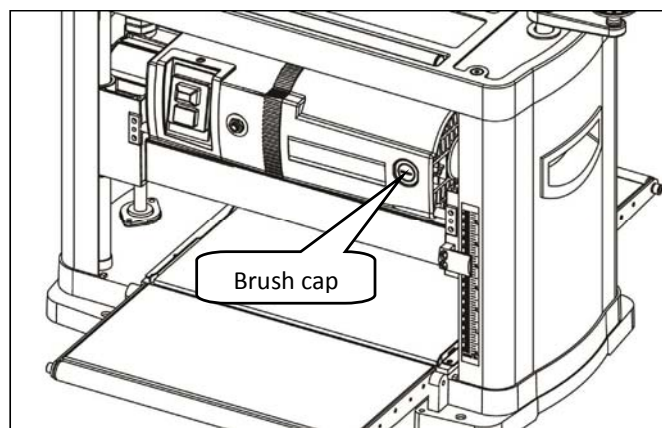
- Carefully turn cutter head by hand towards you until it is stopped by the self-engaging latch
- Loosen and remove the blade bolts from blade.
- Reverse or replace blade and carefully secure it with blade bolts.



Brush inspection and replacement

WARNING: Turn planer off and disconnect from power source. Brush life depends on amount of load on motor. Regularly inspect brushes after 50 hours of use. Brushes are located on either side of planer motor.

- Loosen brush cap and carefully remove brush from motor.
- Replace brushes if carbon is worn.
- Replace brushes and tighten brush caps.



LUMBERJACK GUARANTEE

1. Guarantee

1.1 Lumberjack guarantees that for a period of 12 months from the date of purchase the components of qualifying products (see clauses 1.2.1 to 1.2.8) will be free from defects caused by faulty construction or manufacture.

1.2. During this period Lumberjack, will repair or replace free of charge any parts which are proved to be faulty in accordance with paragraph 1.1 providing that:

1.2.1 You follow the claims procedure set out in clause 2

1.2.2 Lumberjack and its authorised dealers are given reasonable opportunity after receiving notice of the claim to examine the product

1.2.3 If asked to do so by Lumberjack or its Authorised dealer, you return the product at your own cost to Lumberjack's or supplying Authorised Dealer's premises, for the examination to take place clearly stating the Returns Material Authorisation number given by Lumberjack or an Authorised Dealer.

1.2.4 The fault in question is not caused by industrial use, accidental damage, fair wear and tear, wilful damage, neglect, incorrect electrical connection, misuse, or alteration or repair of the product without approval.

1.2.5 The product has been used in a domestic environment only

1.2.6 The fault does not relate to consumable items such as blades, bearings, drive belts, or other wearing parts which can reasonably be expected to wear at different rates depending on usage.

1.2.7 The product has not been used for hire purposes.

1.2.8 The product has been purchased by you as the guarantee is not transferable from a private sale.

2. Claims Procedure

2.1 In the first instance please contact the Authorised Dealer who supplied the product to you. In our experience many initial problems with machines that are thought to be faulty due to faulty parts are actually solved by correct setting up or adjustment of the machine. A good Authorised Dealer should be able to resolve the majority of these issues much more quickly than processing a claim under the guarantee. If a return is requested by the Authorised Dealer or Lumberjack, you will be provided with a Returns Material Authorisation number which must be clearly stated on the returned package, and any accompanying correspondence. Failure to provide a Returns Material Authorisation number may result in item being refused delivery at Authorised Dealer.

2.2 Any issues with the product resulting in a potential claim under the guarantee must be reported to the Authorised Dealer from which it was purchased within 48 hours of Receipt.

2.3 If the Authorised Dealer who supplied the product to you has been unable to satisfy your query, any claims made under this Guarantee should be made directly to Lumberjack. The Claim itself should be made in a letter setting out the date and place of purchase, giving a brief explanation of the problem which has led to the claim. This letter should be then sent with proof

LUMBERJACK GUARANTEE

of purchase to Lumberjack. If you include a contact number with this it will speed your claim up.

2.4 Please note that it is essential that the letter of claim reaches Lumberjack on the last day of this Guarantee at the latest. Late claims will not be considered.

3. Limitation of Liability

3.1 We only supply products for domestic and private use. You agree not to use the product for any commercial, business or resale purposes and we have no liability to you for any loss of profit, loss of business, business interruption or loss of business opportunity.

3.2 This Guarantee does not confer any rights other than these expressly set out above and does not cover any claims for consequential loss or damage. This Guarantee is offered as an extra benefit and does not affect your statutory rights as a consumer.

4. Notice

This Guarantee applies to all product purchased from an Authorised Dealer of Lumberjack within the United Kingdom. Terms of Guarantee may vary in other countries.

CE DECLARATION OF CONFORMITY

TOOLSAVE

Unit C, Manders Ind. Est.
Old Heath Road, Wolverhampton,
WV1 2RP.

Tel: 01902 450 470

Declares that the THICKNESSER WITH HELICAL CUTTER HEAD (PT330H)
Is in compliance with the regulations included in the Directives:2006/42/EC

EC DECLARATION OF CONFORMITY

Certificate for EC-type examination delivered by TÜV Rheinland LGA Products GmbH – Tillystraße 2
-90431 Nürnberg(Registration No.:BM 50310153 0001)

Person who declares: Bill Evans

**UK
CA**

24/05/2023

The Director



Parts List

No.	Description	No.	Description
1	Knob	30	Pinion
2	Screw	31	Ball bearing 6203ZZ
3	Knob housing	32	Cable clamp
4	Handle	33	Pan head screw 5-0.8x10mm
5	Plug	34	Plastic cover
6	Socket head Bolt 5-0.8x25mm	34A	Spacer
7	Roller	35	Pan head screw 5-0.8x6mm
8	Bushing	36	Pointer
9	Socket pan head screw 8-1.25x16mm	37	Socket head Bolt 5-0.8x10mm
10	Upper cover	38	Lock washer 5mm
11	Retaining ring 3ami-15	39	Belt guard
12	Chain	40	Rolle crase
13	Sprocket	41	Lock washer 5mm
14	Socket head bolt 5-0.8x35mm	42	Serrated lock washer 5mm
15	Socket head bolt 5-0.8x27mm	43	Pan head screw 5-0.8x8mm
16	Spacer	44	Pivot rod
17	Outside gear plate	45	Baffle
18	Ball bearing 6202ZZ	46	Pan head screw 5-0.8x10mm
19	Shaft	47	Lock washer 5mm
20	Gripe	51	Pan head screw 6-1.0x12mm
21	Socket pan head screw 8-1.25x16mm	52	Cutter head
22	Cover	53	Pin
23	70tgear	54	Pan head screw 6-1.0x16mm
24	58T/12T double gear	55	Gib
25	52T/12Tdouble gear	56	Blade
26	Bushing	57	Spring
27	Spacer	58	Key 5x5x10mm
28	Inside gear plate	59	Bearing retainer
29	Spacer	60	Socket head bolt 5-0.8x10mm

Parts List

No.	Description	No.	Description
61	Cutterhead pulley	90	Dustproof cover
62	Motor pulley	91	Bearing
63	V-Belt 135J6	92	Bearing retaining
64	Hex nut 16	93	Bearing
65	Papilionaceous nut	94	Column
66	Set Screw 5-0.8x16	95	Guide plate
67	Cutterhead cover	96	Table
68	Spring	97	Socket head bolt 5-0.8x10mm
69	Retaining bracket	98	Pan head screw 6-0.8x15mm
70	Left bracket	99	Flat washer 6mm
71	Socket head bolt 5-0.8x10mm	99A	Lock washer 6mm
72	Lock washer 5mm	100	Knot
73	Flat washer 5mm	101	Extention table
74	Outfeed roller	102	Roller plate
75	Right bracket	103	Pan head screw 4-0.8x6mm
76	Flat washer 6mm	104	Lock washer 4mm
77	Infeed roller	105	Flat washer 4mm
78	Line Cord	106	Support roller
79	Motor	106A	Socket head bolt 6-0.8x20mm
80	Pan head screw 5-0.8x6mm	107	Socket head bolt 6-0.8x8mm
81	Flat washer 5mm	108	Pin
82	Fan housing	108A	Lock washer 6mm
83	Left elevating nut	109	Right elevating screw
84	Spacer	110	Socket head bolt 5-0.8x12mm
85	Flat washer 8mm	111	Flat washer 5mm
86	Pan head screw 8-1.0x25mm	112	Base
87	Right elevating nut	113	Hex head bolt 6-1.0x25mm
88	Hex nut	114	Hex nut 6-1.0mm
89	Left elevating screw	115	Sprocket

Parts List

No.	Description	No.	Description
116	Retaining ring 3AMI-10	123	Hex nut 10-1.5mm
117	Idler bracket	124	Cord wrap
118	Lock washer 5mm	125	Pan head screw 4-0.8x8mm
119	Socket head bolt 5-0.8x16mm	126	angle iron
120	Key C4x10mm	127	Socket head bolt 4-0.8x8mm
121	Hex nut 12-1.5mm	128	4mm Hex wrench
122	Shaft	129	5mm Hex wrench

Parts Diagram

