



ORIGINAL INSTRUCTIONS

TABLE OF CONTENTS

Welcome to Lumberjack!

Dear customer, Congratulations on your purchase. Before using the product for the first time please be sure to read these instructions for use.

They provide you with all information necessary for using the product safely and to ensure its long service life.

Closely observe all safety information in these instructions!

General Power Tool Safety Warnings.....	01
Symbols & Cable Rating Chart	05
Machine Details and Product Features.....	06
Assembly.....	07
Operation, Maintenance and Service.....	08
Lumberjack Guarantee.....	09
Declaration of Conformity.....	11
Parts List.....	12
Parts Diagram.....	13

GENERAL POWER TOOL SAFETY WARNINGS

WARNING Read all safety warnings and all instructions. Failure to follow the warnings and instructions may result in electric shock, fire and/or serious injury.

Save all warnings and instructions for future reference. The term "power tool" in the warnings refers to your electric (corded) power tool or battery-operated (cordless) power tool.

1. Work area safety

a) Keep work area clean and well lit. Cluttered or dark areas invite accidents.

b) Do not operate power tools in explosive atmospheres, such as in the presence of flammable liquids, gases or dust. Power tools create sparks which may ignite the dust or fumes.

c) Keep children and bystanders away while operating a power tool. Distractions can cause you to lose control.

2. Electrical safety

a) Power tool plugs must match the outlet. Never modify the plug in any way. Do not use any adapter plugs with grounded power tools. Unmodified plugs and matching outlets will reduce risk of electric shock.

b) Avoid body contact with grounded surfaces, such as pipes, radiators, ranges and refrigerators. There is an increased risk of electric shock if your body is grounded.

c) Do not expose power tools to rain or wet conditions. Water entering a power tool will increase the risk of electric shock.

d) Do not abuse the cord. Never use the cord for carrying, pulling or unplugging the power tool. Keep cord away from heat, oil, sharp edges or moving parts. Damaged or entangled cords increase the risk of electric shock.

e) When operating a power tool outdoors, use an extension cord suitable for outdoor use. Use of a cord suitable for outdoor use reduces the risk of electric shock.

f) If operating a power tool in a damp location is unavoidable, use a residual current device (RCD) protected supply. Use of an RCD reduces the risk of electric shock.

3. Personal safety

a) Stay alert, watch what you are doing and use common sense when operating a power tool. Do not use a power tool while you are tired or under the influence of drugs, alcohol or medication. A moment of inattention while operating power tools may result in serious personal injury.

b) Use personal protective equipment. Always wear eye protection. Protective equipment such as dust mask, non-skid safety shoes, hard hat, or hearing protection used for appropriate conditions will reduce personal injuries.

c) Prevent unintentional starting. Ensure the switch is in the off position before connecting to power source and/or battery pack, picking up or carrying the tool. Carrying power tools with your finger on the switch or energising power tools that have the switch on invites accidents.

d) Remove any adjusting key or wrench before turning the power tool on. A wrench or a key left attached to a rotating part of the power tool may result in personal injury.

GENERAL POWER TOOL SAFETY WARNINGS

e) Do not overreach. Keep proper footing and balance at all times. This enables better control of the power tool in unexpected situations.

f) Dress properly. Do not wear loose clothing or jewellery. Keep your hair, clothing and gloves away from moving parts. Loose clothes, jewellery or long hair can be caught in moving parts.

g) If devices are provided for the connection of dust extraction and collection facilities, ensure these are connected and properly used. Use of dust collection can reduce dust-related hazards.

4. Power tool use and care

a) Do not force the power tool. Use the correct power tool for your application. The correct power tool will do the job better and safer at the rate for which it was designed.

b) Do not use the power tool if the switch does not turn it on and off. Any power tool that cannot be controlled with the switch is dangerous and must be repaired.

c) Disconnect the plug from the power source and/or the battery pack from the power tool before making any adjustments, changing accessories, or storing power tools. Such preventive safety measures reduce the risk of starting the power tool accidentally.

d) Store idle power tools out of the reach of children and do not allow persons unfamiliar with the power tool or these instructions to operate the power tool. Power tools are dangerous in the hands of untrained users.

e) Maintain power tools. Check for misalignment or binding of moving parts, breakage of parts and any other condition that may affect the power tool's operation. If damaged, have the power tool repaired before use. Many accidents are caused by poorly maintained power tools.

f) Keep cutting tools sharp and clean. Properly maintained cutting tools with sharp cutting edges are less likely to bind and are easier to control.

g) Use the power tool, accessories and tool bits etc. in accordance with these instructions, taking into account the working conditions and the work to be performed. Use of the power tool for operations different from those intended could result in a hazardous situation.

5. Service

a) Have your power tool serviced by a qualified repair person using only identical replacement parts. This will ensure that the safety of the power tool is maintained.

b) If the replacement of the supply cord is necessary, this has to be done by the manufacturer or its agent in order to avoid a safety hazard.

6. Additional Safety and Working Instructions

a) Dusts from materials such as lead-containing coatings, some wood types, minerals and metals can be harmful to one's health and cause allergic reactions, leading to respiratory infections and/or cancer. Materials containing asbestos may only be worked by specialists. Observe the relevant regulations in your country for the materials to be worked.

GENERAL POWER TOOL SAFETY WARNINGS

b) Prevent dust accumulation at the workplace.

Dusts can easily ignite.

7 Additional Warnings for Sanders

a) Harmful/toxic dusts will arise from sanding e.g. lead painted surfaces, woods and metals.

Contact with or inhalation of these dusts can endanger the health of operator and bystanders.

Always use eye glasses and dust mask.

b) Hearing protection should be worn when using the sander.

c) Always wear safety glasses or eye shields when using the sander. Everyday eyeglasses have only impact-resistant lenses; they are not safety glasses. Following this rule will reduce the risk of serious personal injury.

d) Remove the plug from the socket before carrying out any adjustment, servicing or maintenance.

e) Fully unwind cable drum extensions to avoid potential overheating.

f) When an extension cable is required you must ensure it has the correct ampere rating for your power tool and is in a safe electrical condition.

g) Ensure your mains supply voltage is same as indicated on the rating plate.

h) Your tool is double insulated for additional protection against a possible electrical insulation failure within the tool.

i) Always check walls, floors and ceilings to avoid hidden power cables and pipes.

j) After long working period's external metal parts and accessories could be hot.

k) If possible, ensure the work-piece is firmly clamped to prevent movement.

l) Your sander is a hand held tool, do not clamp your sander.

m) Before sanding, check the area is free of nails, screws, etc.

n) Never stop the sander by applying a force to the base plate.

o) Only use paper in good condition. Do not use torn or worn paper.

p) Do not sand material containing asbestos due to a health risk.

q) Do not sand lead based paint due to the risk of lead poisoning.

r) Do not eat or drink in the working area of the sander.

s) Do not allow people to enter the working area without wearing a dust mask.

t) Where possible, seal off the working area to contain the dust for later removal.

u) Your tool is designed for dry sanding only, not wet sanding.

v) Your tool is designed for general purpose light polishing of wood and metals.

w) Do not sand magnesium material due to the risk of fire.

SYMBOLS AND POWER RATING CHART



Danger! – Read the operating instructions to reduce the risk of injury.



Caution! Wear safety goggles.



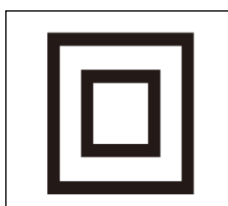
Caution! Wear ear defenders. The impact of noise can cause damage to hearing.



Caution! Risk of Injury! Do not reach into the running saw blade.



Caution! Wear a dust mask.



Class II Double Insulated

MACHINE DETAILS AND PRODUCT FEATURES

Machine Details

Specifications:

Voltage -	230-240V / 50Hz
Power -	240W
No load Speed-	15000rpm
Sanding Size -	104x112mm

Package Contents:

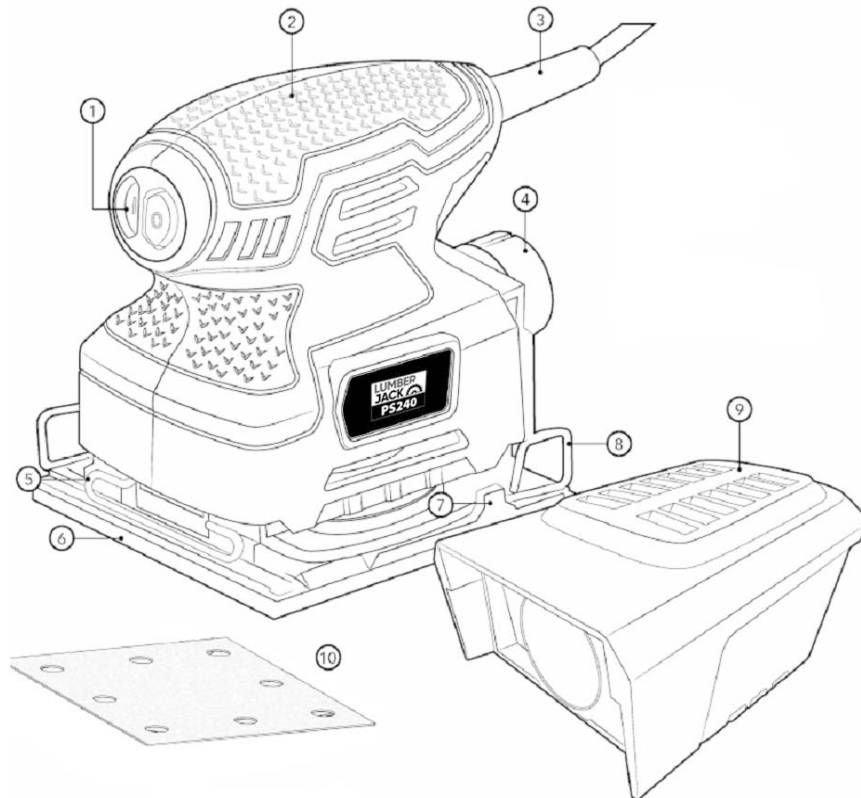
Sheet Sander
Dust Collection Box
X3 sanding sheets

Intended Use

The machine has been designed for the use of sanding wood, plastics and painted surfaces.

Product Features

1. ON/OFF Switch
2. Soft Grip Surface
3. Power Cable
4. Dust Extraction Outlet
5. Paper Clamp
6. Cushion
7. Tab
8. Lever
9. Dust Collection Box
10. Sandpaper



ASSEMBLY INSTRUCTIONS

Assembly

Avoid unintentional starting of the machine. During assembly and for all work on the machine, the power plug must not be connected to the mains supply.

Carefully remove all parts included in the delivery from their packaging.

Remove all packaging material from the machine and the accessories provided.

Before starting the operation of the machine for the first time, check if all parts listed in the box content section have been supplied

Note: Check the power tool for possible damage. Before further use of the machine, check that all protective devices are fully functional. Any lightly damaged parts must be carefully checked to ensure flawless operation of the tool. All parts must be properly mounted and all conditions fulfilled that ensure faultless operation.

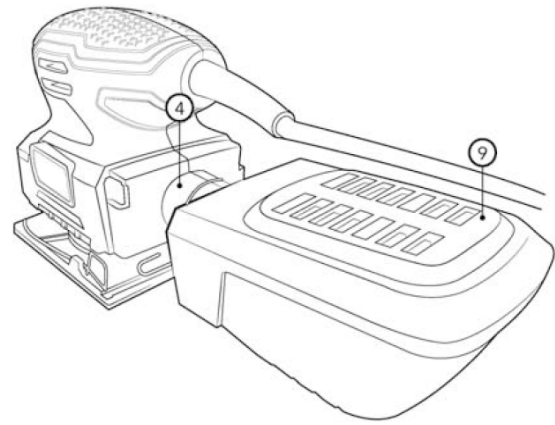
Damaged protective devices and parts must be immediately replaced by an authorised service centre.

Assembling the Dust Extraction System

Slide the dust collection box(9) onto the Dust extraction outlet(4).

To remove the dust collection box pull away from the sander.

Caution: Always wear a suitable breathing mask when operating this tool. All wood and paint dust is hazardous to health and may also be toxic.



Installing Sanding Sheets

Note: To maximize the quality of the task, always use good quality sanding sheets. Always test the sander on a scrap piece of material to determine whether the sanding sheet is suitable for the intended task:

Coarse for use sanding bare wood in preparation for finishing, gentle removal of varnish.

Medium for sanding bare wood in preparation for finishing not suitable for the removal of varnish.

Fine for sanding finishes in-between coats.

Important DO not use sanding sheets designed for wet sanding.

Fitting the sheets

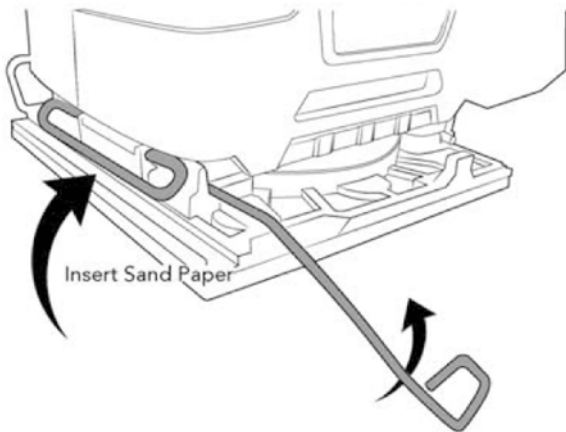
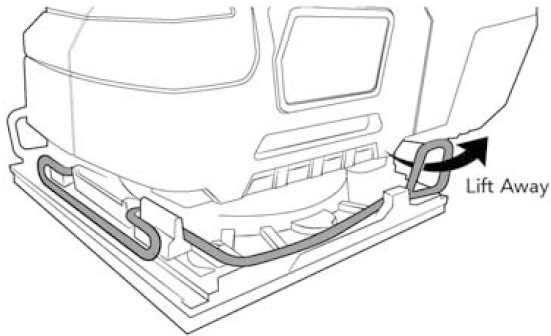
To install fresh sheet of sandpaper, lift the Lever(8) over the tab. This will lift the paper clamp(5).

Insert one end of the new sandpaper sheet under the paper clamp and lift the lever back into place over the tab.

ASSEMBLY INSTRUCTIONS&OPERATION

Wrap the sandpaper under the cushion (6), lift the opposite lever, and insert the loose end into the paper clamp.

Return the lever back to its position over the tab to secure the new sandpaper sheet into place.



Operation

Switch ON/OFF

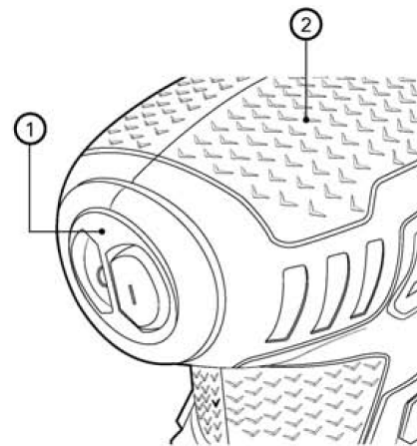
Warning! Never switch on the sander whilst the base is in contact with the workpiece or any other surface as this may cause the operator to lose control over the tool and could result in serious injury.

Caution: Always hold the sander securely by the soft grip surface(2).

Connect the sander to the mains power supply. To start the tool, press the ON/OFF switch(1) to the ON position.

To stop the tool, press the ON/OFF switch(1) to the OFF position.

Warning! Always wait until the tool has stopped vibrating completely before putting it down. Always disconnect from the power supply after use.



Cleaning/Emptying Dust Box

TO maintain performance of the sander the dust collection box(9) and filter will need cleaning regularly.

To access the filter pull the top part of the dust collection box away from the bottom.

Rinse the bottom half under clean running water and dry thoroughly.

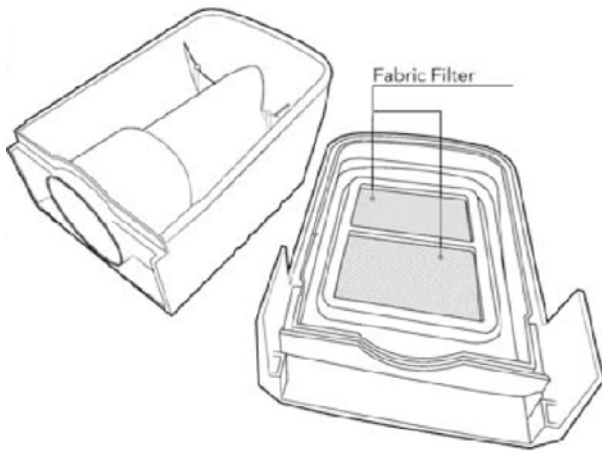
OPERATION

Wipe the top half with a clean damp cloth and use compressed air to clean the integrated fabric filter.

TO re assemble align the two halves and press the sections together, they will snap together when correctly assembled.

Ensure both parts are completely dry before re-assembling, do not use if not completely dry.

NOTE: Ensure both parts click back together.



Sanding

WARNING! Always wear safety goggles, an adequate dust mask, hearing protection and suitable gloves when working with this sander.

IMPORTANT: Always use clamps to secure you workpiece to the workbench wherever possible.

WARNING! Do not use a sanding sheet on wood that has previously been used on metal. This may cause scouring on the wooden surface. Do not use this sander for sanding magnesium or for wet sanding.

CAUTION: Never touch a moving sanding sheet.

Grip the soft grip handle and switch on the sander using the ON/OFF switch(1).

Move the tool in a circular motion over the surface of the workpiece, applying an even, moderate pressure until the desired surface is achieved.

NOTE Apply moderate pressure only. Excess pressure will not lead to a faster removal of material, but will damage the sanding sheet and the tool.

If there are still scratches on your workpiece after sanding, try either of the following:

Return to a coarser grit sanding sheet and sand the marks out before recommencing with your original choice of sanding sheet.

Use a new sanding sheet of the same grit to eliminate the unwanted marks before progressing to a finer grit.

WARNING! Do not allow the sandpaper to wear down completely before replacing it. Failure to observe this precautionary measure can lead to damage to base, resulting in sanding sheets failing to perform properly.

CAUTION: Do not continue to use worn, torn, or heavily clogged sanding sheets.

Ensure foreign objects, such as nails and screws, are removed from the workpiece before commencing sanding.



MAINTENANCE AND SERVICE

Maintenance and Service

Maintenance and Cleaning

Before any work on the dust collector itself, pull the mains plug.

For safe and proper working, always keep the dust collector and ventilation slots clean.

If the replacement of the supply cord is necessary, this has to be done by an authorized service agent in order to avoid a safety hazard.

If the dust collector should fail despite the care taken in manufacturing and testing procedures, repair should be carried out by an authorized service centre.

General inspection

Regularly check that all the screws are tight as they may vibrate and loosen over time.

Inspect the power cable(3) prior to each use for damage or wear.

Repairs should only be carried out by a qualified technician.

Keep your tool clean at all times. Dirt and dust will cause internal parts to wear quickly and shorten the tool's service life. Clean the body of the tool with a soft brush or dry cloth.

We recommend using compressed air when possible to clean down the sander. This aids the products longevity.

CAUTION: Never use caustic agents to clean plastic parts. If dry cleaning is not sufficient, using a mild detergent on a damp cloth is recommended.

WARNING! Do not allow the tool to come into contact with water or any other liquid. Ensure the tool is thoroughly dry before using it. If available, use clean, dry, compressed air to blow through the ventilation holes (where applicable).

Surfaces need to be clean, free of dirt and foresight matter (hair, sand etc.) and in good condition.

LUMBERJACK GUARANTEE

1. Guarantee

1.1 Lumberjack guarantees that for a period of 12 months from the date of purchase the components of qualifying products (see clauses 1.2.1 to 1.2.8) will be free from defects caused by faulty construction or manufacture.

1.2. During this period Lumberjack, will repair or replace free of charge any parts which are proved to be faulty in accordance with paragraph 1.1 providing that:

1.2.1 You follow the claims procedure set out in clause 2

1.2.2 Lumberjack and its authorised dealers are given reasonable opportunity after receiving notice of the claim to examine the product

1.2.3 If asked to do so by Lumberjack or its Authorised dealer, you return the product at your own cost to Lumberjack's or supplying Authorised Dealer's premises, for the examination to take place clearly stating the Returns Material Authorisation number given by Lumberjack or an Authorised Dealer.

1.2.4 The fault in question is not caused by industrial use, accidental damage, fair wear and tear, wilful damage, neglect, incorrect electrical connection, misuse, or alteration or repair of the product without approval.

1.2.5 The product has been used in a domestic environment only

1.2.6 The fault does not relate to consumable items such as blades, bearings, drive belts, or other wearing parts which can reasonably be expected to wear at different rates depending on usage.

1.2.7 The product has not been used for hire purposes.

1.2.8 The product has been purchased by you as the guarantee is not transferable from a private sale.

2. Claims Procedure

2.1 In the first instance please contact the Authorised Dealer who supplied the product to you. In our experience many initial problems with machines that are thought to be faulty due to faulty parts are actually solved by correct setting up or adjustment of the machine. A good Authorised Dealer should be able to resolve the majority of these issues much more quickly than processing a claim under the guarantee. If a return is requested by the Authorised Dealer or Lumberjack, you will be provided with a Returns Material Authorisation number which must be clearly stated on the returned package, and any accompanying correspondence. Failure to provide a Returns Material Authorisation number may result in item being refused delivery at Authorised Dealer.

2.2 Any issues with the product resulting in a potential claim under the guarantee must be reported to the Authorised Dealer from which it was purchased within 48 hours of Receipt.

2.3 If the Authorised Dealer who supplied the product to you has been unable to satisfy your query, any claims made under this Guarantee should be made directly to Lumberjack. The Claim itself should be made in a letter setting out the date and place of purchase, giving a brief explanation of the problem which has led to the claim. This letter should be then sent with proof

LUMBERJACK GUARANTEE

Purchasing Lumberjack. If you include a contact number with this it will speed your claim up.

2.4 Please note that it is essential that the letter of claim reaches Lumberjack on the last day of this Guarantee at the latest. Late claims will not be considered.

3. Limitation of Liability

3.1 We only supply products for domestic and private use. You agree not to use the product for any commercial, business or resale purposes and we have no liability to you for any loss of profit, loss of business, business interruption or loss of business opportunity.

3.2 This Guarantee does not confer any rights other than these expressly set out above and does not cover any claims for consequential loss or damage. This Guarantee is offered as an extra benefit and does not affect your statutory rights as a consumer.

4. Notice

This Guarantee applies to all product purchased from an Authorised Dealer of Lumberjack within the United Kingdom. Terms of Guarantee may vary in other countries.

CE DECLARATION OF CONFORMITY

TOOLSAVE

Unit C, Manders Ind. Est.,
Old Heath Road, Wolverhampton,
WV1 2RP.
Tel: 01902 450 470

Declares that the Sheet Palm Sander (PS240)

Is in compliance with the regulations included in the Directives:2006/42/EC

EC DECLARATION OF CONFORMITY

Certificate for EC-type examination delivered by TÜV Rheinland LGA Product GmbH– Tillystraße 2 -
90431 Nürnberg (Registration No.:AM 50439976 0001)

Person who declares: Bill Evans

CE

01.07.2020

The Director



Parts List

No.	Description	No.	Description
1	Switch cover	23	Dust box
2	Switch (FB3-4)	24	Swinging mounting
3	Cross recessed pan head tapping screws ST 2.9X9	25	Sealing mounting
4	PCB	26	Clamping wire
5	607 Bearing block	27	Baize sealing strip
6	Torsional spring	28	Cross recessed pan head screws M4X16
7	Carbon brush	29	Sponge base plate
8	Housing	30	Plastic base plate
9	Cross recessed pan head tapping screws ST3.9X19	31	Deep groove ball bearing 609-2RS
10	Cable press plate	32	609 bearing dust cover
11	Cross recessed pan head tapping screws ST3.9X14	33	Eccentric seat
12	Cord guard	34	Counterbalance
13	Cord	35	Housing
14	Stator		
15	Deep groove ball bearing 607-2RS		
16	Rotor		
17	Deep groove ball bearing 627-2RS		
18	Fan		
19	Dust box cover		
20	Filter paper		
21	Filter paper clamp		
22	O type ring		

Parts Diagram

