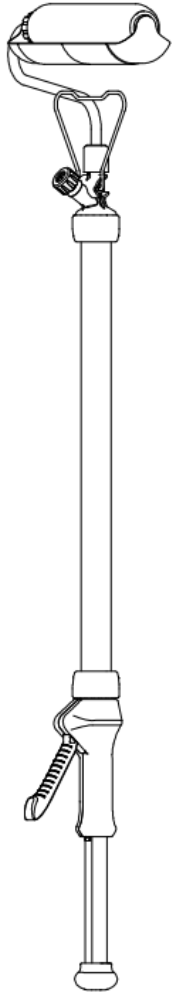


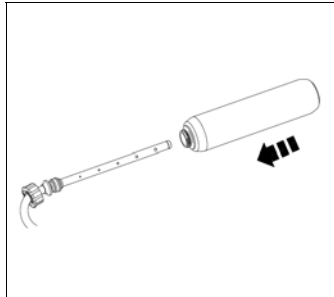


# ORIGINAL INSTRUCTIONS

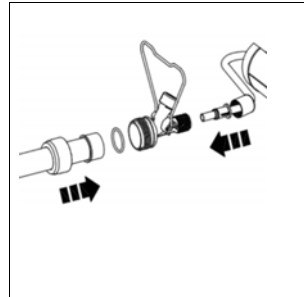
# Handy Paint Roller



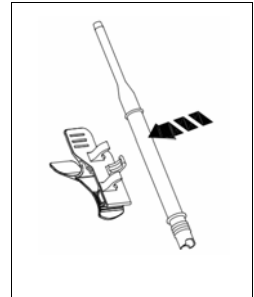
## QUICK START GUIDE



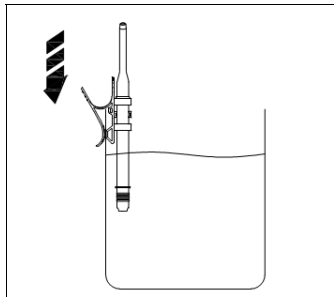
Push roller assembly over roller frame until it snaps into place.



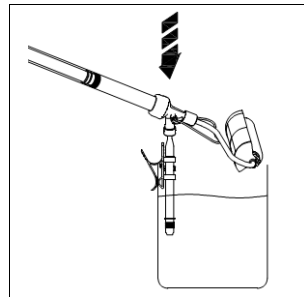
Thread handle collar on roller frame.



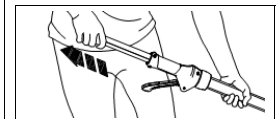
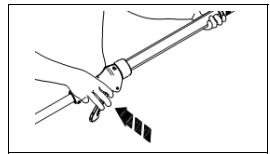
Snap fill tube into the clamps of paint can clip.



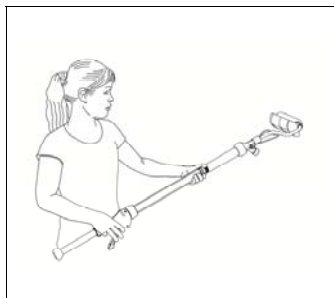
Clip the paint can clip onto paint can.



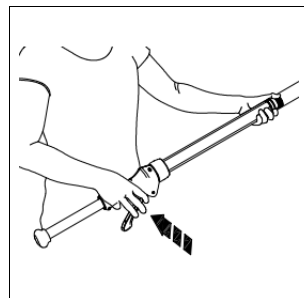
Push fill valve down over fill tube until it bottoms on fill tube.



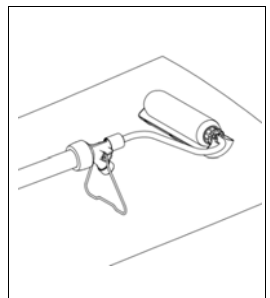
Squeeze trigger to free up the plunger. Pull back plunger to draw paint. (May take some force).



Begin rolling on wall



Squeeze trigger to push forward the plunger to fill roller with additional paint.



Rest the Handy Paint Roller on kickstand when not in use.

**See inside this instruction manual for complete instructions.**

**⚠ WARNING:** To reduce the risk of injury, user must read and understand the instruction manual before using the Handy Paint Roller

**⚠ WARNING:** Some paints contain chemicals known to cause cancer, birth defects or other reproductive harm. To reduce your exposure wear appropriate safety equipment such as face masks, gloves, and other appropriate protective equipment. Please review and follow the safety precautions on the paint container.

#### SAFETY GUIDELINES - DEFINITIONS

It is important for you to read and understand this manual. The information it contains relates to protecting YOUR SAFETY and PREVENTING PROBLEMS. The symbols below are used to help you recognize this information.

**⚠ DANGER:** Indicates an imminently hazardous situation which, if not avoided, will result in death or serious injury.

**⚠ WARNING:** Indicates a potentially hazardous situation which, if not avoided, could result in death or serious injury.

**⚠ CAUTION:** Indicates a potentially hazardous situation which, if not avoided, may result in minor or moderate injury.

**NOTICE:** Used without the safety alert symbol indicates a potentially hazardous situation which, if not avoided, may result in property damage.

## IMPORTANT SAFETY INSTRUCTIONS

#### WARNING:

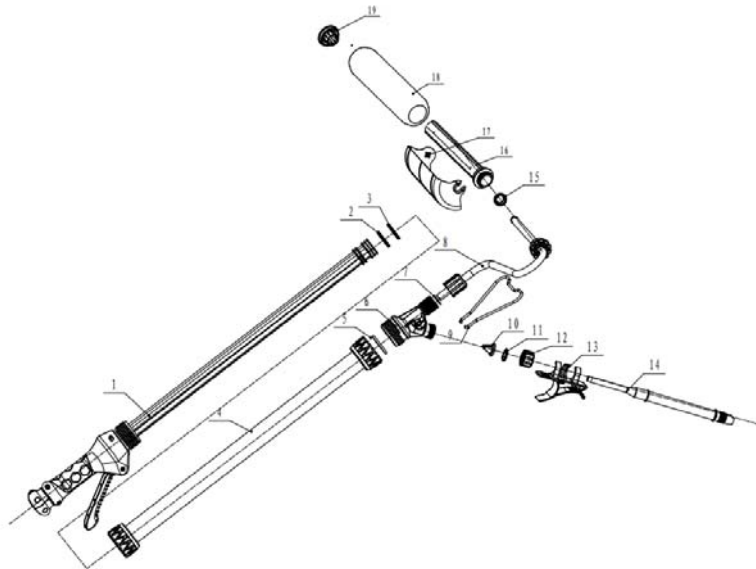
- Do not use Handy Paint Roller for purposes other than described in this manual. Failure to do so may result in injury to persons and or property damage.
- For use only with water soluble and most oil based paints and stains. Not for use with oil based paints and stains that require cleaning solutions stronger than mineral spirits (refer to label on original paint container). Do not use with paint removers, or the like. Liquids other than paint or stain may damage product and result in injury to persons or property damage.
- Read the label on the original paint container and follow all directions. Failure to do so may result in injury to persons or property damage.
- Use proper eye protection and other safety equipment for skin and respiratory protection when mixing the paint, and when filling, using, and cleaning the product. Paint and its fumes can cause personal injury.
- To reduce the risk of injury, use only in a well ventilated area.
- Thoroughly clean and rinse product after using with a particular paint. Mixing different paints in the product may result in property damage.
- To reduce the risk of injury, use only recommended accessories.
- When servicing, use only identical replacement parts. Failure to do so may result in personal injury.

### SAVE THESE INSTRUCTIONS

## COMPONENTS

#### FUNCTIONAL DESCRIPTION

- 1.) Plunger Assembly
- 2.) O ring
- 3.) X seal ring
- 4.) Paint storage tube
- 5.) O ring 1
- 6.) Three-way Connector
- 7.) O ring 2
- 8.) Roller Frame
- 9.) stand
- 10.) check valve
- 11.) Wiper seal
- 12.) Fill cap cover
- 13.) Paint Can Clip
- 14.) Fill Tube
- 15.) Y seal ring
- 16.) Roller Core
- 17.) Roller
- 18.) Outer End Cap
- 19.) Spatter Shield



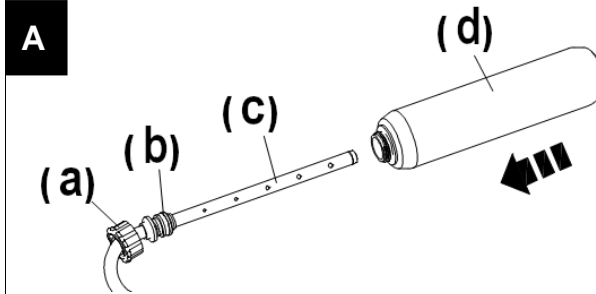
## Tips for painting with Handy Paint Roller

- **Only use a perforated roller cover. Standard roller covers will not work.**
- Inspect roller cover for lint before painting, if needed wash and dry before using.
- When using the Handy Paint Roller for the first application, it will take most of the paint in the Handy Paint Roller tube to saturate the roller cover. A second fill may be needed.
- Keep roller moving while pushing plunger in or squeezing trigger to prevent dripping.
- Stop pushing plunger in or squeezing trigger if the roller starts to skid, slide or drip.
- When painting in tight areas partially fill Handy Paint Roller. This reduces its overall length.

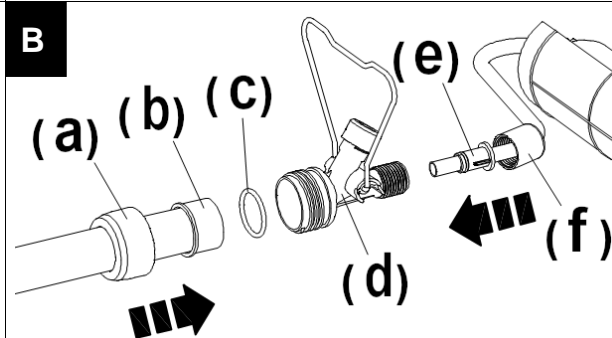
- When leaving Handy Paint Roller unattended for a longer period of time, wrap roller in a plastic bag to prevent drying, removing as much air as possible from bag.
- Make sure the type of paint you use can be cleaned with either mineral spirits (for oil-based paints) or a warm water and soap solution (for water soluble paints like latex).
- Use drop cloths to protect your floors and anything else in the room that you do not want accidentally splattered with paint.
- When using kickstand, always release pressure by pulling plunger out slightly.

## Preparing the Handy Paint Roller to paint

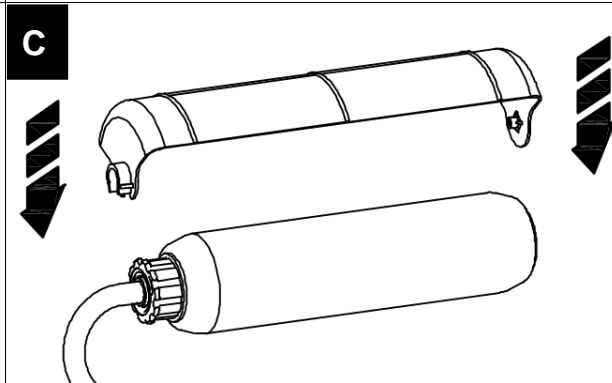
1.) Lubricate part (b) using petroleum jelly provided. Attach assembled roller (d) onto the roller frame (c). Screw the part (a) onto the inner end of the roller assembly.



2.) Push roller frame (e) over end of part (d). Thread roller frame collar (f) snugly onto threads of part (d). Push part (d) over end of handle assembly (b), ensuring O-ring (c) is seated inside part (d). Thread handle assembly collar (a) snugly onto threads of part (d).

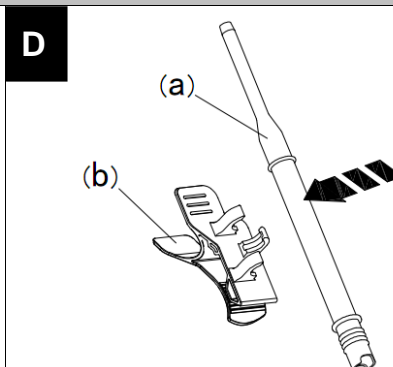


3.) The spatter shield helps reduce spatter when painting, especially on ceilings. Position the spatter shield by rotating around roller frame.  
**NOTE:** Spatter shield is also helpful to prevent dripping when the Handy Paint Roller is resting on kickstand and is not in use. Just position spatter shield under roller.



## Filling the Handy Paint Roller with paint

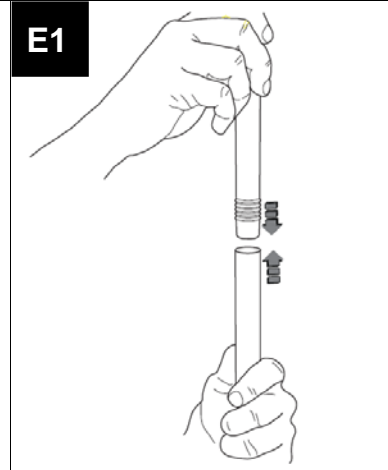
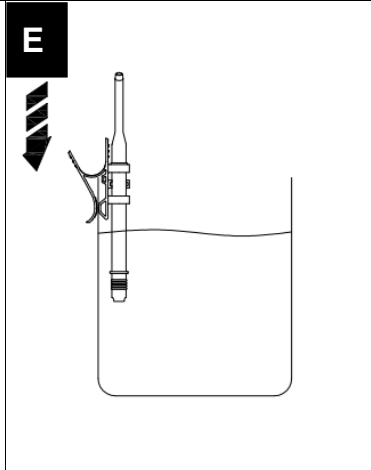
1.) Snap fill tube (a) into the clamps of paint can clip (b).



2.) Clip the paint can clip onto paint can.  
Lubricate top of fill tube stem with a small amount of petroleum jelly included in carton.

**NOTE:**

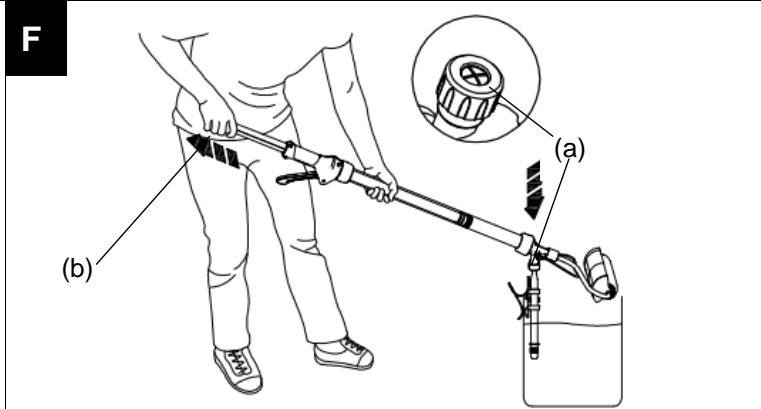
For deeper containers like 5 gallon pails, fit a section of 3/4 inch I.D. (inner diameter) clear tubing over the ribs of the fill tube to extend it (fig. E1) and clip to side of pail with fill tube can clip. Cut bottom end of tubing at slight angle. Tubing is available at most hardware stores.



3.) Hold the Handy Paint Roller at a 45 degree angle and place the fill valve (a) over the fill tube. Gently push the Handy Paint Roller down until it bottoms on the fill tube.

Pull plunger (b) all the way back to draw paint into the Handy Paint Roller. (This may take some force.) Once tube is full you are ready to start painting. Lift the Handy Paint Roller slowly off fill tube.

**NOTE:** If you do not receive a complete fill the first time, push plunger slowly to return paint to can and then pull back plunger making sure angle is correct and fill valve fully bottoms on the fill tube.



## Painting with the Handy Paint Roller

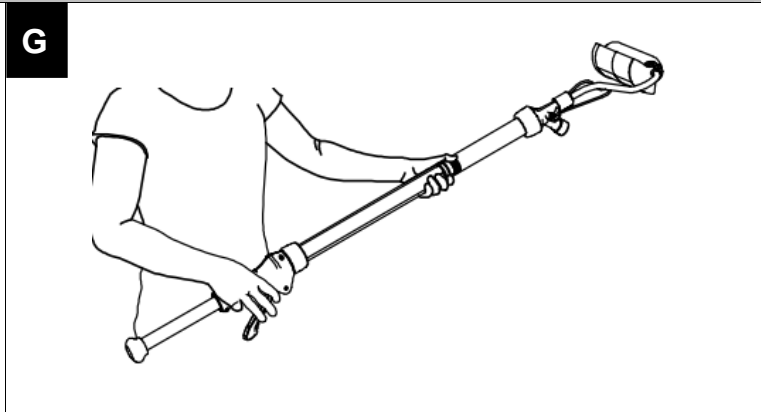
1.) Begin rolling on wall and push plunger handle or squeeze trigger to feed paint into the roller cover.

**NOTE:** Initial saturation of the roller may require a large amount of paint from the first fill. Fill the Handy Paint Roller as needed.

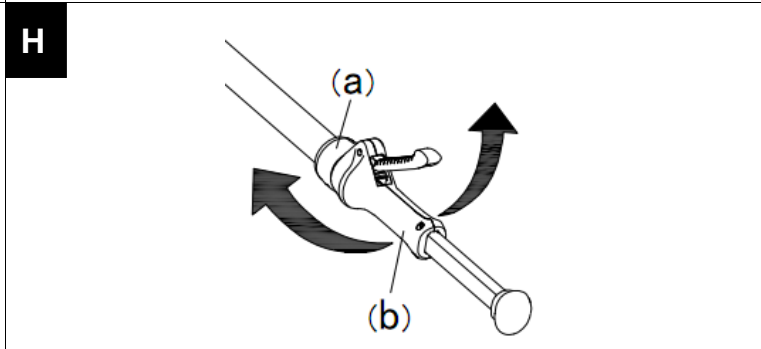
**HELPFUL HINTS**

- The trigger only needs to be squeezed when paint is needed.
- If you are getting a dot pattern when painting, apply more paint.
- If the roller is sliding on the surface, apply less paint.
- You may notice petroleum jelly within the handle.

This is necessary and will help in its operation and will not affect the paint.



2.) The handle (a) can be rotated to make it more comfortable when painting with an angled roller frame. To rotate handle to desired position, loosen collar (b), adjust handle and retighten collar



3.) When not in use rest the Handy Paint Roller on the kickstand (a).

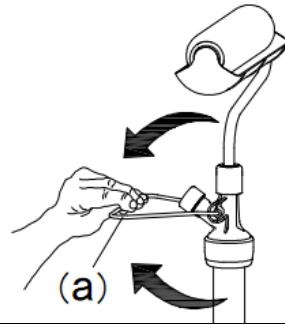
- When using kickstand, the Handy Paint Roller should always be on a drop cloth (b) or over newspaper in case of drips.

- When painting, kickstand should be pointed away from roller to avoid getting spatter on kickstand.

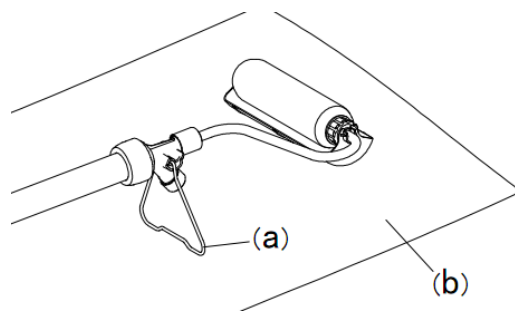
- To prevent drips, relieve pressure on the Handy Paint Roller by pulling plunger out slightly.

**NOTE:** Attaching the spatter guard when using the kickstand helps insure that any dripping paint is contained.

I



J

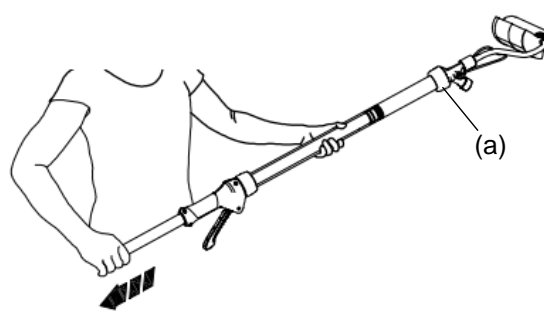


## Returning excess paint to paint can

1.) Pull plunger back to draw excess paint from roller frame into tube.

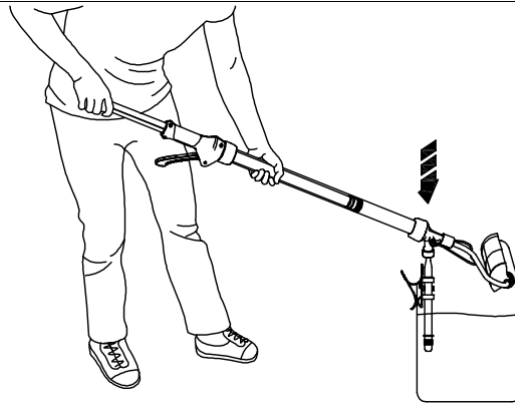
**HINT:** Place thumb over fill cap cover (a) to help remove the most paint from the frame prior to pulling back plunger.

K



2.) Return paint from the Handy Paint Roller to can by holding it at a 45 degree angle and pushing fill valve onto fill tube until it bottoms on fill tube. Push plunger in until it stops.

L

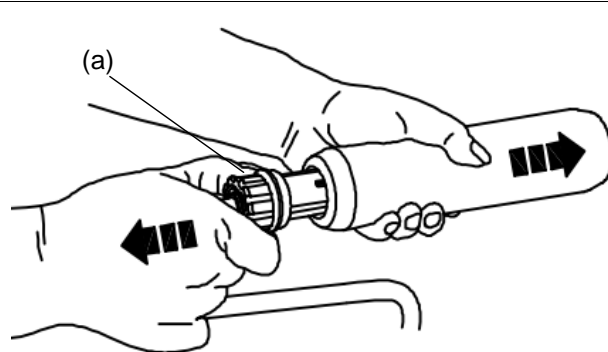


3.) Remove the roller by screwing out part (a) and pulling the roller from the roller frame. It may take some force.

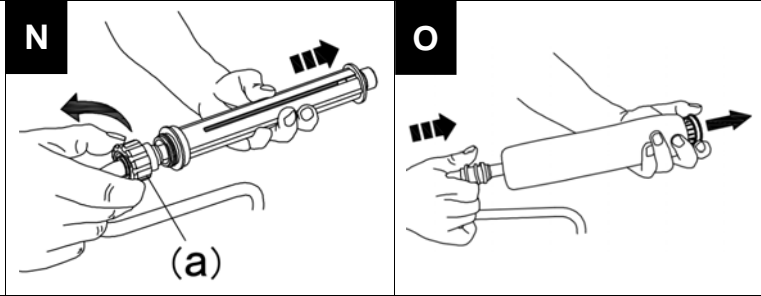
**HINT:** Wear disposable gloves or use a plastic bag over roller to keep your hands clean.

Scrape excess paint into can from roller.

M

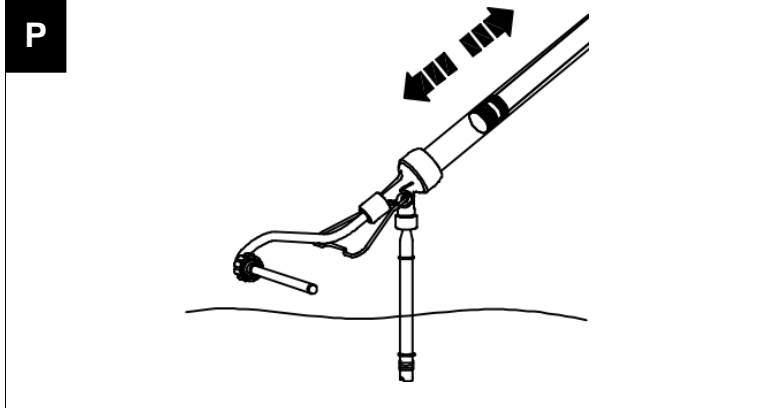


4.) Screw out part (a) from the roller core and remove the roller core. **(fig. N)**.  
 Empty any remaining paint.  
 Remove the outer cap by inserting the roller frame into the roller and gently pushing the cap off **(fig. O)**.

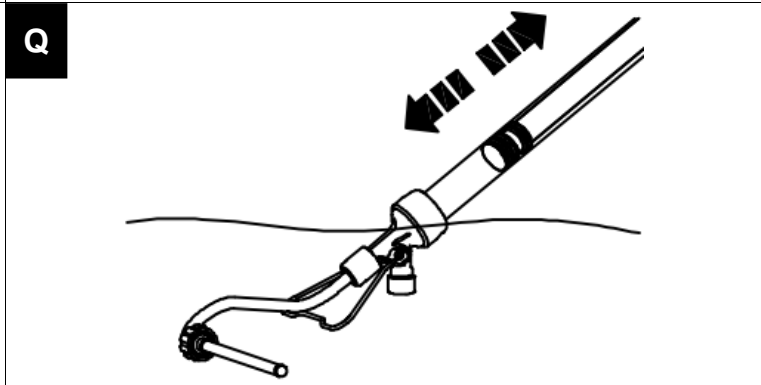


## Cleaning the Handy Paint Roller

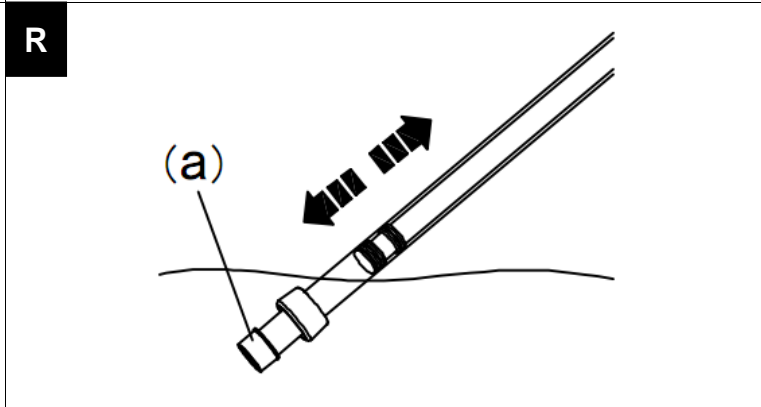
1.) Remove the fill tube from the paint can clip and push it directly into the fill valve. When cleaning water soluble paints, submerge the fill tube into warm, soapy water and pull the plunger in and out 5 or more times.  
 When using oil based paints, instead of water, use proper cleaning solvent listed on manufacturer's container and dispose of properly.  
**HINT:** Use a sink, a wash tub, or any container that will hold water to perform above flushing process. Replace water when dirty or when moving to the next step.



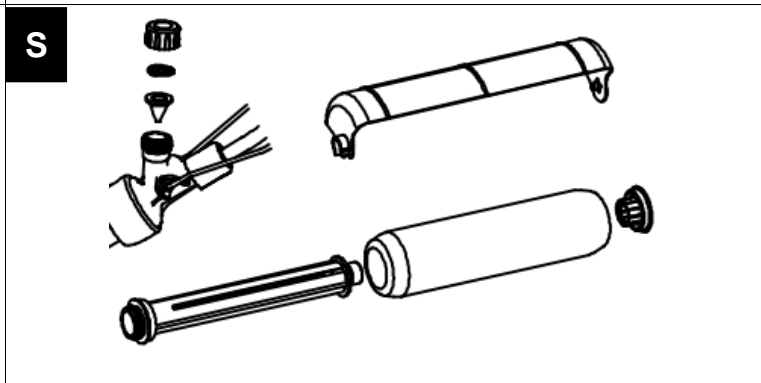
2.) Remove the fill tube. Then submerge the roller frame, and ensuring the fill valve is also under water, pull the plunger in and out 5 or more times **(fig. Q)**.



3.) Remove roller frame and continue cleaning as needed. Submerge the handle in the warm, soapy water and pull the plunger in and out 5 or more times.  
**HINT:** Wipe off remaining paint from the end of plunger (a).



4.) Unthread valve cap and remove wiper seal and duck bill valve to clean. Rinse all remaining parts and drain all fluid from the Handy Paint Roller.  
 5.) Always purchase a perforated roller cover. A standard roller will not work.

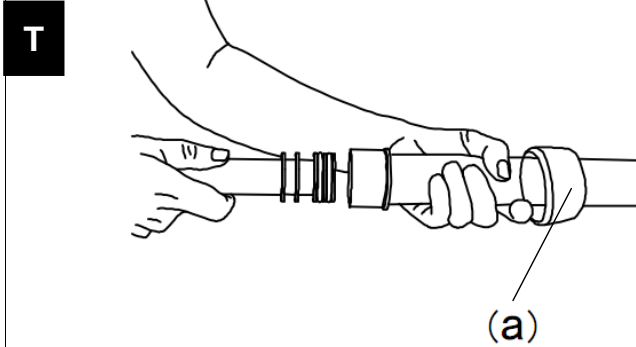


## Lubricating the Handy Paint Roller

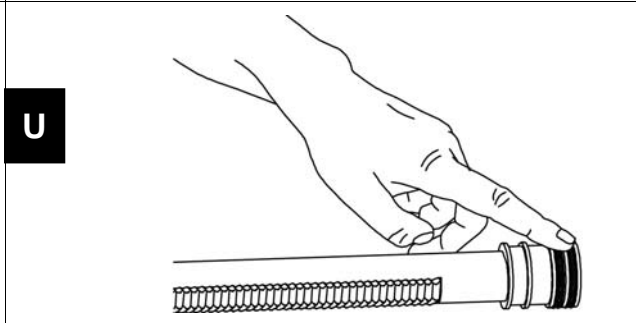
Lubrication helps with normal operation and should be done after cleaning and before each use.

1.) Turn the threaded assembly collar (a) near the trigger counterclockwise until the main tube assembly slides off.

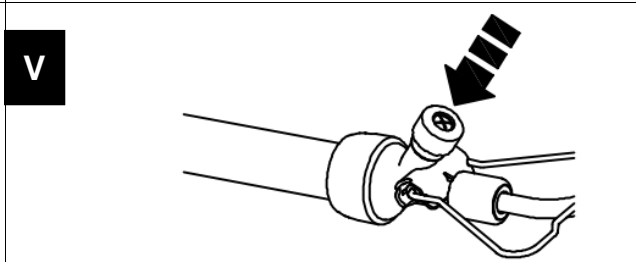
**NOTE:** When reassembling, black threaded collar (a) should be towards trigger handle.



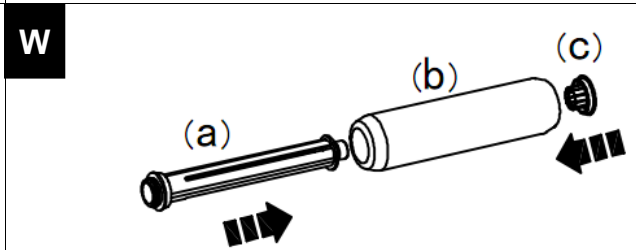
2.) Apply petroleum jelly around and in between the rubber seals shown. Reassemble, making sure the rubber seals are not twisted or damaged. Tighten the locking collar.



3.) Apply petroleum jelly to the duck bill valve and wiper seal and replace within unit threading the valve cap back into place.



4.) Apply petroleum jelly to the inner seals on the end of the roller core (a) then assemble the roller by placing the core (a) inside of roller cover (b) and attaching the end cap and as shown.



## Troubleshooting

Takes a long time for paint to appear on surface.

See first note on "Painting with the Handy Paint Roller". May take a second fill.

Air is drawn into handle instead of paint.

Slowly push handle in to expel air. Remove and reinsert product on fill tube. Be sure fill tube is **fully** seated in valve body. If necessary, apply petroleum jelly to fill tube which makes it easier to seat fill tube and valve body.  
Make sure O-ring is in place between handle assembly and roller frame and well lubricated.

Difficult to insert or remove fill tube from valve.

Put petroleum jelly in fill port opening and or fill tube.

Handle is difficult to move in and out.

Lubricate rubber seals at end of plunger, or twist plunger slightly to break seal.

Paint leaks out end cap.

Make sure the outer end cap is pushed snugly into and are even with the end of roller cover, and the inner threaded end cap is screwed snugly into the end of roller core. If they are OK, remove end caps, clean out any old paint and relubricate with petroleum jelly.

Paint leaks out of fill valve.

Lubricate valve with petroleum jelly.  
Make sure wiper seal is in place.



