

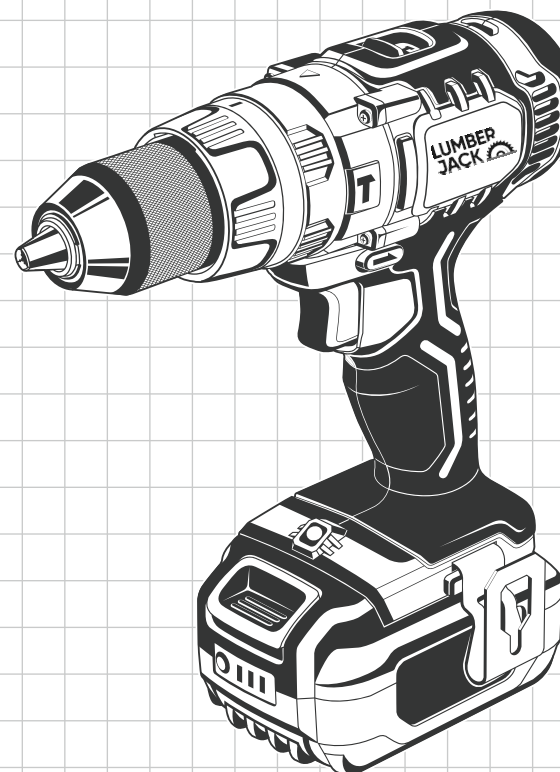
XP SERIES

LHD50

LUMBER JACK

Owner's Manual & Safety Instructions

HAMMER DRILL



LUMBER JACK

LUMBERJACK TOOLS
UNIT C MANDERS
INDUSTRIAL ESTATE
WOLVERHAMPTON WV12RP

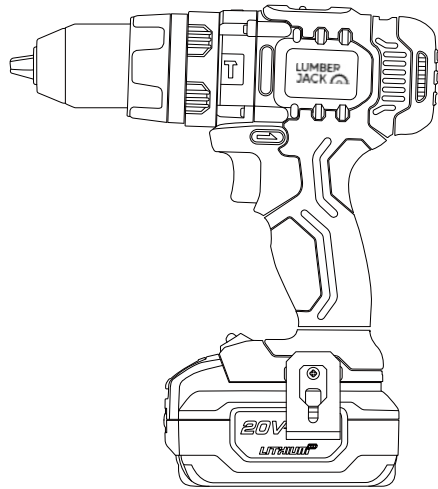
WWW.LUMBERJACKTOOLS.CO.UK



WARNING

Read this manual before using this product.
Failure to do so can result in serious injury.
SAVE THIS MANUAL.





Index

1. Work Area Safety	01
2. Electrical Safety	01
3. Personal Safety	02
4. Power Tool Use and Care	02
5. Battery tool use and care	03
6. Specific Safety Rules for Drills	04
7. Symbols	04
8. Assembly	06
9. Maintenance	08
10. Transport	08
11. Meaning of crossed-out wheeled dustbin	09

General Power Tool Safety Warnings

⚠ WARNING : Read all safety warnings and instructions. Failure to follow the warnings and instructions may result in electric shock, fire and/or serious injury.

Save all warnings and instructions for future reference.

The term " power tool " in the warnings refers to your mains-operated (corded) power tools or battery-operated (cordless) power tools.

1. Work Area Safety

- a. Keep work area clean and well lit.** Cluttered or dark areas invite accidents.
- b. Do not operate power tools in explosive atmospheres, such as in the presence of flammable liquids, gases or dust.** Power tools create sparks which may ignite the dust or fumes.
- c. Keep children and bystanders away while operating a power tool.** Distractions can cause you to lose control.

2. Electrical Safety

- a. Power tool plugs must match the outlet.** Never modify the plug in any way. Do not use any adapter plugs with grounded power tools. Unmodified plugs and matching outlets will reduce risk of electric shock.
- b. Avoid body contact with grounded surfaces such as pipes, radiators, ranges and refrigerators.** There is an increased risk of electric shock if your body is grounded.
- c. Do not expose power tools to rain or wet conditions.** Water entering a power tool will increase the risk of electric shock.
- d. Do not abuse the cord. Never use the cord for carrying, pulling or unplugging the power tool.** Keep cord away from heat, oil, sharp edges or moving parts. Damaged or entangled cords increase the risk of electric shock.
- e. When operating a power tool outdoors, use an extension cord suitable for outdoor use.** Use of a cord suitable for outdoor use reduces the risk of electric shock.
- f. If operating a power tool in a damp location is unavoidable, use a residual current device (RCD) protected supply.** Use of a RCD reduces the risk of electric shock.

⚠ NOTE :The term residual current device (RCD) may be replaced by the term ground fault circuit interrupter (GFCI) or earth leakage circuit breaker (ELCB).

3. Personal Safety

- a. Stay alert, watch what you are doing and use common sense when operating a power tool. Do not use a power tool while you are tired or under the influence of drugs, alcohol or medication. A moment of inattention while operating power tools may result in serious personal injury.
- b. Use personal protective equipment. Always wear eye protection. Protective equipment such as dust mask, non-skid safety shoes, hard hat, or hearing protection used for appropriate conditions will reduce personal injuries.
- c. Prevent unintentional starting. Ensure the switch is in the off-position before connecting to power source and/or battery pack, picking up or carrying the tool. Carrying power tools with your finger on the switch or energising power tools that have the switch on invites accidents.
- d. Remove any adjusting key or wrench before turning the power tool on. A wrench or a key left attached to a rotating part of the power tool may result in personal injury.
- e. Do not overreach. Keep proper footing and balance at all times. This enables better control of the power tool in unexpected situations.
- f. Dress properly. Do not wear loose clothing or jewellery. Keep your hair, clothing and gloves away from moving parts. Loose clothes, jewellery or long hair can be caught in moving parts.
- g. If devices are provided for the connection of dust extraction and collection facilities, ensure these are connected and properly used. Use of dust collection can reduce dust-related hazards.

4. Power Tool Use and Care

- a. Do not force the power tool. Use the correct power tool for your application. The correct power tool will do the job better and safer at the rate for which it was designed.
- b. Do not use the power tool if the switch does not turn it on and off. Any power tool that cannot be controlled with the switch is dangerous and must be repaired.
- c. Disconnect the plug from the power source and/or the battery pack from the power tool before making any adjustments, changing accessories, or storing

power tools. Such preventive safety measures reduce the risk of starting the power tool accidentally.

- d. Store idle power tools out of the reach of children and do not allow persons unfamiliar with the power tool or these instructions to operate the power tool. Power tools are dangerous in the hands of untrained users.
- e. Maintain power tools. Check for misalignment or binding of moving parts, breakage of parts and any other condition that may affect the power tools operation. If damaged, have the power tool repaired before use. Many accidents are caused by poorly maintained power tools.
- f. Keep cutting tools sharp and clean. Properly maintained cutting tools with sharp cutting edges are less likely to bind and are easier to control.
- g. Use the power tool, accessories and tool bits etc. in accordance with these instructions, taking into account the working conditions and the work to be performed. Use of the power tool for operations different from those intended could result in a hazardous situation.

5. Battery tool use and care

- a. Recharge only with the charger specified by the manufacturer. A charger that is suitable for one type of battery pack may create a risk of fire when used with another battery pack.
- b. Use power tools only with specifically designated battery packs. Use of any other battery packs may create a risk of injury and fire.
- c. When battery pack is not in use, keep it away from other metal objects, like paper clips, coins, keys, nails, screws or other small metal objects, that can make a connection from one terminal to another. Shorting the battery terminals together may cause burns or a fire.
- d. Under abusive conditions, liquid may be ejected from the battery; avoid contact. If contact accidentally occurs, flush with water. If liquid contacts eyes, additionally seek medical help. Liquid ejected from the battery may cause irritation or burns.
- e. Have your power tool serviced by a qualified repair person using only identical replacement parts. This will ensure that the safety of the power tool is maintained.
- f. Always push the gear selector and turn the operating mode selector switch through to the stop. Otherwise, the machine can become damaged.
- g. Apply the power tool to the screw only when it is switched off. Rotating tool inserts can slip off. An auxiliary tool can be used to remove the screwdriver bit or

universal bit holder.

h. Working in especially dusty environments can lead to failure of the power tool.

If the power tool suddenly fails, remove the carbon brushes and check them.

i. Do not open the battery. Protect the battery against heat, continuous intense sunlight, fire, water, and moisture. Take care of danger of explosion and short-circuiting.

6. Specific Safety Rules for Drills/Drivers

a. Hold power tool by insulated gripping surfaces when performing an operation where the cutting accessory or fastener may contact hidden wiring. Cutting accessory and fasteners contacting a "live" wire may make exposed metal parts of the power tool "live" and could give the operator an electric shock.

b. Use auxiliary handle(s), if supplied with the tool. Loss of control can cause personal injury.

c. Use appropriate detectors to determine if utility lines are hidden in the work area or call the local utility company for assistance. Contact with electric lines can lead to fire and electric shock. Damaging a gas line can lead to explosion. Penetrating a water line causes property damage.

d. Switch off the power tool immediately when the tool insert jams. Be prepared for high reaction torque that can cause kickback. The tool insert jams when:

- the power tool is subject to overload or
- it becomes wedged in the workpiece.

e. Hold the machine with a firm grip. High reaction torque can briefly occur while driving in and loosening screws.

f. Secure the workpiece. A workpiece clamped with clamping devices or in a vice is held more secure than by hand.

g. Always wait until the machine has come to a complete stop before placing it down. The tool insert can jam and lead to loss of control over the power tool.






Service

Have your power tool serviced by a qualified repair person using only identical replacement parts. This will ensure that the safety of the power tool is maintained.

7. SYMBOLS

a. Some of the following symbols may appear on this product. Study these

symbols and learn their meanings. Proper interpretation of these symbols will allow for more efficient and safer operation of this product.

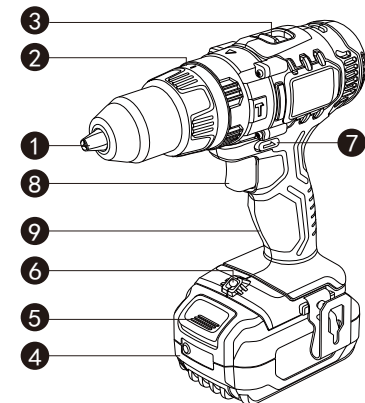
SYMBOL	DESCRIPTION
	Read the manual before set-up and/or use.
	Wear safety glasses, ear protection and respiratory protection.
	Use dust mask. Dust which is injurious to health can be generated when working on wood and other materials. Never use the device to work on any materials containing asbestos.
	Do not dispose with house-hold waste.
	Conforms to relevant safety standards.

b. Function Description

Voltage:	20V \equiv
No Load Speed:	0-450min ⁻¹ /0-1700min ⁻¹
Impact Rate:	0-6400/0-24000BPM
Max. Torque:	50N.m
Chuck Size	1/2"

c. Function Description

1. Chuck
2. Torque presetting ring
3. Mode selector switch
4. Battery pack
5. Battery unlocking button
6. LED Work light
7. Rotational direction switch
8. On/Off switch
9. Handle



8.ASSEMBLY

Installing the Battery

Press the button of the battery, and then insert the charged battery from the front into the base of the power tool. Push the battery completely into the base until the blue stripe can no longer be seen and the battery is securely locked.

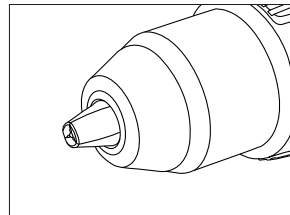
▲ NOTE : Use only original batteries with the voltage listed on the name-plate of your power tool. Using other batteries can lead to injuries and pose a fire hazard.

Removing the Battery

Press the button of the battery, and then pull the charged battery from the front into the base of the power tool.

Installing Bits or Drills

Rotate the chuck by turning in anti-clockwise direction, until the chuck is rotated to the deepest position. Center the bit in the chuck. Firmly tighten the collar of the keyless chuck by hand in clockwise direction.



▲ NOTE : Check if the chuck has been installed firmly and correctly.

Removing Bits or Drills

One hand hold the machine, and the other hand turn in clockwise direction until the drill or bit is released.

▲ WARNING : To reduce the risk of injury, never touch the bit or drill until it has already stopped and cooled down, and always remove the chuck key from the chuck after each use.

Operation

▲ WARNING : Set the rotational direction switch to the centre position in order to avoid unintentional starting. Insert the charged battery into the handle.

Switch On and Off

To start the machine, press the On/Off switch and keep it pressed.

To switch off the machine, release the On/Off switch, and the machine stops.

▲ NOTE : When you release the button, the light will be keep working about 3-5s. The LED lights up when the On/Off switch is halfway or fully pressed, and is intended to illuminate the power tool' s direct area of working operation.

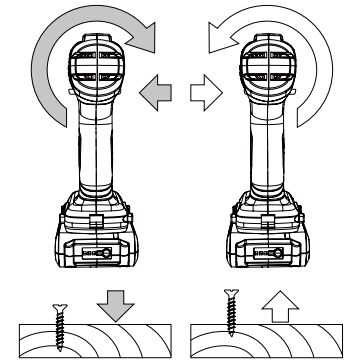
Rotational Direction Switch

▲ WARNING : Before adjust rotational direction switch, the tool must be switch off.

Right Rotation: For drilling forward, push the rotational direction switch left to the stop.

Left Rotation: For drilling backward, push the rotational direction switch right to the stop.

▲ NOTE : The rotational direction switch is used to reverse the rotational direction of the machine. However, this is not possible with the On/Off switch actuated.



Adjusting the Speed

The speed of the switched-on power tool can be variably adjusted, depending on how far the On/Off switch is pressed. Light pressure on the On/Off switch results in a low rotational speed. Further pressure on the switch results in an increase in speed.

There are two selections to choose as following:

“1” Class-- Low speed range; Push the button forward; for working with large drilling diameters.

“2” Class-- High speed range; Push the button back; for drilling with small drilling diameter.

Protection System

This system automatically cuts off power to the motor extend tool and battery life. The tool will automatically stop during operation if the tool or battery is placed under one of the following conditions:

Overload Protection

When the tool is operated in a manner that causes it to draw an abnormally high current, the tool automatically stops without any indications. In this situation, turn the tool off and stop the application that caused the tool to become overloaded. Then turn the tool on to restart.

Overheat Protection

When the temperature of the machine is overheated, the machine stops automatically. In this situation, let the machine cool before turning on again.

9.Maintenance

- a.To prevent accidents, always switch off the tool before cleaning or performing any maintenance the saw may be cleaned most effectively using compressed air. Always wear safety goggles when using compressed air. If compressed air is not available, use a brush to remove dust and chips from the tool.
- b.Motor ventilation vents and switch levers must be kept clean and free of foreign matter. Do not attempt to clean by inserting pointed objects through openings.
- c.Never use any caustic agents to clean plastic parts. Such as: gasoline, carbon tetrachloride, chlorinated cleaning solvents, ammonia and household cleaners containing ammonia. Do not use any of these to clean the tool.
- d.Have an authorized service center examine and/or replace the worn carbon brushes in the event of excessive parking.
- e.Keep the machine clean all the time.
- f.If you discover any damage, consult the exploded drawing and parts list to determine exactly which replacement part you need to order from our customer service department.
- g.Clean the housing only with a damp cloth. Do not use any solvents! Dry thoroughly afterwards.
- h.If the supply cord of this power tool (or battery) is damaged, it must be replaced by a similar cord(battery) available through the service organization or a qualified authoritative technician.

⚠ CAUTION : Do not use cleaning agents to clean the plastic parts of the tool. A mild detergent on a damp cloth is recommended. Water must never come into contact with the tool.

10.Transport

Turn the motor off and disconnect the mains plug(remove the battery). While transporting, be careful not to drop, or shock the machine. For transport, the machine has to be fixed against slipping and tipping over. Do not place objects on the machine.

11.Meaning of crossed –out wheeled dustbin:

Do not dispose of electrical appliances as unsorted municipal waste, use separate collection facilities. Contact your local government for information regarding the collection systems available. If electrical appliances are disposed of in landfills or dumps, hazardous substances can leak into the groundwater and get into the food chain,damaging your health and well-being.

CE DECLARATION OF CONFORMITY

TOOLSAVE

Unit C, Manders Ind. Est.,
Old Heath Road, Wolverhampton,
WV1 2RP.
Tel: 01902 450 470

Declares that the Hammer Drill (LHD50)
Is compliance with the regulations included in the
Directives:2006/42/EC

EC DECLARATION OF CONFORMITY

Certificate for EC-type examination delivered by Interk Testing Services Hangzhou 16
No. 1 Ave., Xiasha Economic Development District, Hangzhou 310018, China
(Verification No.:150500566HZH-V1)

Person who declares: Bill Evans

CE

17/06/2021

The Director



Series of horizontal dashed lines for additional text or notes.

--	--