

## **Owner's Manual & Safety Instructions**

**▲ WARNING**

Read this manual before using this product.  
Failure to do so can result in serious injury.  
**SAVE THIS MANUAL.**



## INDEX

---

1.	Work Area Safety	-----	01
2.	Electrical Safety	-----	01
3.	Personal Safety	-----	02
4.	Technical & Symbols	-----	03/04
5.	Control Panel & Use	-----	04/05
6.	Maintenance & Troubleshoot	-----	06/07
7.	Declaration	-----	08

---

**General Safety Warnings:** Read all safety warnings, instructions, illustrations and specifications provided with this appliance. Failure to follow all instructions listed below may result in electric shock, fire and/or serious injury.

Save all warnings and instructions for future reference.

The term “appliance” in the warnings refers to your mains-operated (corded) appliance or battery-operated (cordless) appliance.

### 1) **Work area safety**

- a) Keep work area clean and well lit. Cluttered or dark areas invite accidents.
- b) Do not operate appliances in explosive atmospheres, such as in the presence of flammable liquids, gases or dust.

### 2) **Electrical safety**

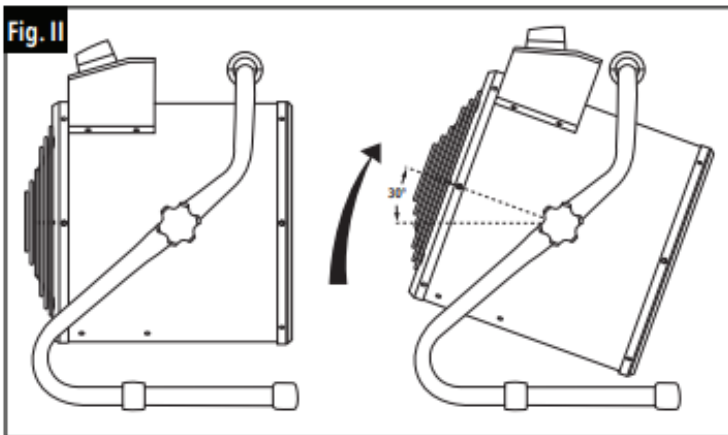
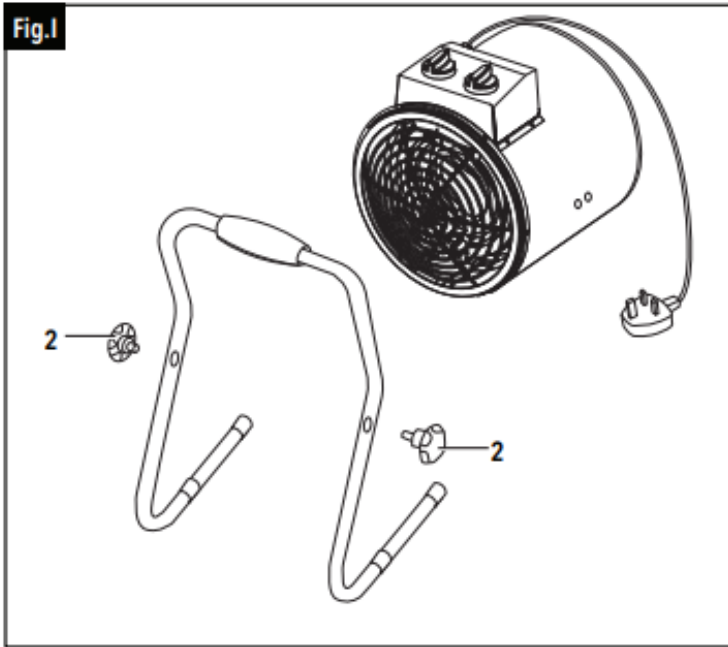
- a) Appliance plugs must match the outlet. Never modify the plug in any way. Do not use any adapter plugs with earthed (grounded) appliances. Unmodified plugs and matching outlets will reduce risk of electric shock.
- b) Avoid bodily contact with earthed or grounded surfaces, such as pipes, radiators, ranges and refrigerators. There is an increased risk of electric shock if your body is earthed or grounded.
  - Do not expose appliances to rain or wet conditions. Water entering an appliance will increase the risk of electric shock.
  - Do not abuse the cord. Never use the cord for carrying, pulling or unplugging the appliance. Keep the cord away from heat, oil, sharp edges or moving parts. Damaged or entangled cords increase the risk of electric shock.
- e) If operating an appliance in a damp location is unavoidable, use a residual current device (RCD) protected supply. Use of an RCD reduces the risk of electric shock.




### **3) Personal safety**

- a) Stay alert, watch what you are doing and use common sense when operating the appliance.
- b) Ensure the switch is in the OFF-position before disconnecting and picking up or carrying the appliance.

### **4) Appliance use and care**

- a) Do not use the appliance if the switch does not turn it ON and OFF. Any appliance that cannot be controlled with the switch is dangerous and must be repaired.
- b) Disconnect the plug from the source before making any adjustments, changing accessories, or storing appliances. Such preventive safety measures reduce the risk of starting the appliance accidentally.
- c) Store idle appliances out of the reach of children and do not allow persons unfamiliar with the appliance or these instructions to operate the appliance.
- d) Maintain appliances and accessories. Check for misalignment or binding of moving parts, breakage of parts and any other condition that may affect the appliance's operation. If damaged, have the appliance repaired before use. Many accidents are caused by poorly maintained appliances.



SYMBOL	DESCRIPTION
	Read the manual before set-up and/or use.
	Do not dispose with house-hold waste.
	Conforms to relevant safety standards.

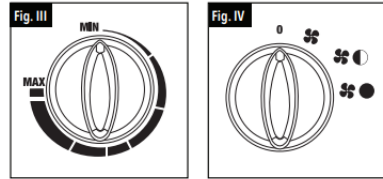
**Technical Data:**

Depending on the power cord type this fan heater may be used only in household, warehouses and workshops, building sites or greenhouses depending. It incorporates a thermostat and a self-resetting thermal cut-out to control the heating elements. The thermostat feels the air temperature and controls the surrounding temperature. The fan motor is controlled by thermostat and it stops when the thermostat cuts off the heating element. The self-resetting thermal cut-out will switch off the heater to ensure the safety when overheating.

Model	EFH2KW
Waterproof Class	NA
Voltage	220-240V
required power	2000W
current	8.3-9.1A
Required Fuse	10A
Setting	25/1000/2000 W
Self-resetting Thermostat	<b>65°C</b>
Size of heater ( mm)	<b>210*160*217</b>
N.W.( KG)	1.7

### Description Of Control Panel:

- Left Knob : Selector with heat setting
- Right Knob : Thermostat dial



### Safety Regulations:

Before use, please check the marking on the power cord. Depending on the power cord type this appliance may be used in different ambient conditions:

Type	You can use the appliance in	Do not use in
H07RN-F	household, warehouses and workshops, building sites or greenhouses	
H05RN-F	household, warehouses and workshops or greenhouses	building sites
H05RR-F	household, warehouses and workshops	building sites or greenhouses

- When using an electrical appliance basic precautions should always be followed including below :
- The fan heater is not suitable for use outdoors in damp weather, in bathrooms or in other wet or damp environments.
- Please note that the fan heater can become very hot and should, therefore, be placed at a safe distance from flammable objects such as furniture, curtains and similar.

- Do not cover the fan heater.
- The fan heater must not be located immediately below a socket outlet.
- Do not connect the fan heater using an on/off timer or other equipment which can automatically switch the device on.
- The fan heater must not be placed in rooms where flammable liquids or gases are used or stored.
- If an extension cord is used, it must be as short as possible and always be fully extended.
- You must not connect other appliances to the same mains socket as the fan heater.
- Do not use this fan heater in the immediate surroundings of a bath, a shower or a swimming pool
- If the supply cord is damaged, it must be replaced by the manufacturer, its service agent or similarly qualified persons in order to avoid a hazard.
- Make sure the heater is always under surveillance and keep children and animals away from it;
- Do not place the appliance on moving vehicles or in a position where it would be tipped over .
- When you don't use the appliance for a long time, unplug the appliance .Don't leave the heater for a considerable amount of time when in use. Pull the plug straight out ,never remove the plug by pulling on the cord .
- Keep the heater far away from curtains or places where the air inlet can easily be blocked.
- The power coupler is waterproof when not in use. In order to prevent possible electric shock or leakage current ,never use the appliance with wet hand or operate the appliance when there is water on the power cord.
- Do not dispose of electrical appliances as unsorted municipal waste,use separate collection facilities. Contact you local government for information regarding the collection systems available. If electrical appliances are disposed of in landfills or dumps, hazardous substances can leak into the groundwater and get into the food chain,damaging your health and well-being.
- This appliance is not intended for use by persons (including children) with reduced physical, sensory or mental capabilities, or lack of experience and knowledge, unless they have been given supervision or instruction concerning use of the appliance by a person responsible for their safety.



### Cleaning & Maintenance:

- Before cleaning the appliance, disconnect it from the socket and let it cool down. The enclosure can easily get dirty, wipe it often with soft sponge. For very dirty parts, wipe with a sponge dipped in <math>50^{\circ}\text{C}</math> water and mild detergent, then dry the heater enclosure with a clean cloth. Be careful not to let the water enter the appliance inner. Don't splash water onto the heater, never use solvents like gasoline etc. to clean the heater, in order to protect the enclosure.
- Clean the cord and plug, dry and pack it in a plastic bag
- When you store the heater, let it cool down first, keep it dry. Then cover it with a plastic bag, put in a packing box and store it in a dry, ventilated place.

### Trouble Shooting:

Problem	Possible cause	Treatment
The heater does not operate, even when it is plugged in and the switch, thermostat are switched on .	The plug is loose, bad connection	Pull out the plug, check the connection of the plug and socket. Then connect again.
	No power in socket outlet	Insert the plug in a proper socket
The appliance didn't heat up, or only ventilator worked	The switch was not put at a heating setting	Turn the switch to a heat setting
	The thermostat operated	Turn the thermostat and listen if there is open/close noise. If there is no click and the thermostat is not damaged, the heater will automatic switch on when the appliance cools down
	The self-resetting cut-out operated	Turn the heater off and inspect the blockage of inlet or outlet. <b>Disconnect the plug and wait at least 10 minutes</b> for the protection system to reset before attempting to restart the heater.
Abnormal noise	The appliance is not standing upright	Put the heater on a level surface

**Seller Details:**

**DECLARATION OF CONFORMITY**



EC – Declaration of Conformity according to;

Machinery Directive 2006/42/EC  
Restriction of Hazardous Substances Directive 2011 / 65 / EU  
Electromagnetic Compatibility Directive 2014/30/EU

We, Toolsave Limited, located at Unit C, Manders Ind. Est., Old Heath Road, Wolverhampton, WV1 2RP, United Kingdom, declare in exclusive responsibility that the Electric Fan Heater meets the essential health and safety requirements of the above-mentioned directives.

To ensure presumption of conformity, the product has been assessed for compliance with the following directives and standards either in part or in full.

Directive	Requirements and / or Standards applied
Machinery Directive 2006/42/EC	EN 61029-1:2009+A11:2010 EN 61029-2-1A:2012+A11:2013
RoHS 2 Directive 2011 /65 / EU	Directive 2011/65/EU
Electromagnetic Compatibility Directive 2014/30/EU	EN 55014-1:2006/A2:2011 EN 55014-2:1997/A2:2008 EN 61000-3-2:2014 EN 61000-3-11:2000

TCF reference no. : EFH2KW

Name: Bill Evans

Title: Company Director

Signature:



10/08/2020





**TOOLSAVE**

**UNIT C MANDERS INDUSTRIAL ESTATE**

**WOLVERHAMPTON WV1 2RP**

