



ORIGINAL INSTRUCTIONS

TABLE OF CONTENTS

Welcome to Lumberjack!

Dear customer, Congratulations on your purchase. Before using the product for the first time please be sure to read these instructions for use.

They provide you with all information necessary for using the product safely and to ensure its long service life.

Closely observe all safety information in these instructions!

General Power Tool Safety Warnings.....	01
Symbols & Cable Rating Chart	05
Machine Details and Product Features.....	06
Assembly.....	08
Operation.....	12
Maintenance and Service.....	14
Lumberjack Guarantee.....	16
Declaration of Conformity.....	18
Parts List.....	19
Parts Diagram.....	23
Accessory for Circular Cutting (Option)	24

GENERAL POWER TOOL SAFETY WARNINGS

WARNING Read all safety warnings and all instructions. Failure to follow the warnings and instructions may result in electric shock, fire and/or serious injury.

Save all warnings and instructions for future reference. The term "power tool" in the warnings refers to your electric (corded) power tool or battery-operated (cordless) power tool.

1. Work area safety

a) Keep work area clean and well lit. Cluttered or dark areas invite accidents.

b) Do not operate power tools in explosive atmospheres, such as in the presence of flammable liquids, gases or dust. Power tools create sparks which may ignite the dust or fumes.

c) Keep children and bystanders away while operating a power tool. Distractions can cause you to lose control.

2. Electrical safety

a) Power tool plugs must match the outlet. Never modify the plug in any way. Do not use any adapter plugs with grounded power tools. Unmodified plugs and matching outlets will reduce risk of electric shock.

b) Avoid body contact with grounded surfaces, such as pipes, radiators, ranges and refrigerators. There is an increased risk of electric shock if your body is grounded.

c) Do not expose power tools to rain or wet conditions. Water entering a power tool will increase the risk of electric shock.

d) Do not abuse the cord. Never use the cord for carrying, pulling or unplugging the power tool. Keep cord away from heat, oil, sharp edges or moving parts. Damaged or entangled cords increase the risk of electric shock.

e) When operating a power tool outdoors, use an extension cord suitable for outdoor use. Use of a cord suitable for outdoor use reduces the risk of electric shock.

f) If operating a power tool in a damp location is unavoidable, use a residual current device (RCD) protected supply. Use of an RCD reduces the risk of electric shock.

3. Personal safety

a) Stay alert, watch what you are doing and use common sense when operating a power tool. Do not use a power tool while you are tired or under the influence of drugs, alcohol or medication. A moment of inattention while operating power tools may result in serious personal injury.

b) Use personal protective equipment. Always wear eye protection. Protective equipment such as dust mask, non-skid safety shoes, hard hat, or hearing protection used for appropriate conditions will reduce personal injuries.

c) Prevent unintentional starting. Ensure the switch is in the off position before connecting to power source and/or battery pack, picking up or carrying the tool. Carrying power tools with your finger on the switch or energising power tools that have the switch on invites accidents.

d) Remove any adjusting key or wrench before turning the power tool on. A wrench or a key left attached to a rotating part of the power tool may result in personal injury.

GENERAL POWER TOOL SAFETY WARNINGS

e) Do not overreach. Keep proper footing and balance at all times. This enables better control of the power tool in unexpected situations.

f) Dress properly. Do not wear loose clothing or jewellery. Keep your hair, clothing and gloves away from moving parts. Loose clothes, jewellery or long hair can be caught in moving parts.

g) If devices are provided for the connection of dust extraction and collection facilities, ensure these are connected and properly used. Use of dust collection can reduce dust-related hazards.

4. Power tool use and care

a) Do not force the power tool. Use the correct power tool for your application. The correct power tool will do the job better and safer at the rate for which it was designed.

b) Do not use the power tool if the switch does not turn it on and off. Any power tool that cannot be controlled with the switch is dangerous and must be repaired.

c) Disconnect the plug from the power source and/or the battery pack from the power tool before making any adjustments, changing accessories, or storing power tools. Such preventive safety measures reduce the risk of starting the power tool accidentally.

d) Store idle power tools out of the reach of children and do not allow persons unfamiliar with the power tool or these instructions to operate the power tool. Power tools are dangerous in the hands of untrained users.

e) Maintain power tools. Check for misalignment or binding of moving parts, breakage of parts and any other condition that may affect the power tool's operation. If damaged, have the power tool repaired before use. Many accidents are caused by poorly maintained power tools.

f) Keep cutting tools sharp and clean. Properly maintained cutting tools with sharp cutting edges are less likely to bind and are easier to control.

g) Use the power tool, accessories and tool bits etc. in accordance with these instructions, taking into account the working conditions and the work to be performed. Use of the power tool for operations different from those intended could result in a hazardous situation.

5. Service

a) Have your power tool serviced by a qualified repair person using only identical replacement parts. This will ensure that the safety of the power tool is maintained.

b) If the replacement of the supply cord is necessary, this has to be done by the manufacturer or its agent in order to avoid a safety hazard.

6. Battery Tool Use and Care

a) Recharge only with the charger specified by the manufacturer. A charger that is suitable for one type of battery pack may create a risk of fire when used with another battery pack.

b) Use power tools only with specifically designated battery packs. Use of any other battery packs may create a risk of injury or fire.

GENERAL POWER TOOL SAFETY WARNINGS

c) When Battery pack is not in use, keep it away from other metal objects, like paper clips, coins, keys, nails, screws or other small metal object that can make a connection from one terminal to another. Shorting the battery terminals together may cause burns or a fire.

d) User abusive conditions, liquid may be ejected from the battery; Avoid contact. If contact accidentally occurs, flush with copious amounts of water. If liquid contacts eyes, seek medical help immediately. Liquid ejected from the batter may cause irritation or burns.

7 Additional Safety and Working Instructions

a) Dusts from materials such as lead-containing coatings, some wood types, minerals and metals can be harmful to one's health and cause allergic reactions, leading to respiratory infections and/or cancer. Materials containing asbestos may only be worked by specialists. Observe the relevant regulations in your country for the materials to be worked.

b) Prevent dust accumulation at the workplace. Dusts can easily ignite.

8 Additional Safety Warning for Band Saws

a) Never stand on the power tool. Serious injuries can occur when the power tool tips over or when inadvertently coming into contact with the saw blade.

b) Never remove cutting remainders, wood chips, etc. from the sawing area while the machine is running.

c) Keep handles dry, clean, and free from oil and grease. Greasy, oily handles are slippery causing loss of control.

d) Operate the power tool only when the work area to the work piece is clear of any adjusting tools, wood chips, etc. Small pieces of wood or other objects that come in contact with the rotating saw blade can strike the operator with high speed.

e) Keep the floor free of wood chips and material remainders. You could slip or trip.

f) Use the machine only for cutting the materials listed under Intended Use. Otherwise, the machine can be subject to overload.

g) Do not touch the saw blade after working before it has cooled. The saw blade becomes very hot while working.

h) Check the cable regularly and have a damaged cable repaired only through an authorised customer service agent. Replace damaged extension cables. This will ensure that the safety of the power tool is maintained.

i) Store the machine in a safe manner when not being used. The storage location must be dry and lockable. This prevents the machine from storage damage, and from being operated by untrained persons.

j) Never leave the machine before it has come to a complete stop. Cutting tools that are still running can cause injuries.

k) Never use the machine with a damaged cable. Do not touch the damaged cable and pull the mains plug when the cable is damaged while working. Damaged cables increase the risk of an electric shock.

GENERAL POWER TOOL SAFETY WARNINGS

10. Using an Extension Cable.

a) If an extension cable is required, use an approved triple core extension cable suitable for the power input of the tool.

b) Grounded tools always require a three wire extension cable.

c) As the distance from the supply outlet increases you must use a heavier gauge extension cable. Using extension cables with inadequately sized wire causes a serious drop in voltage, resulting in loss of power and possible tool damage.

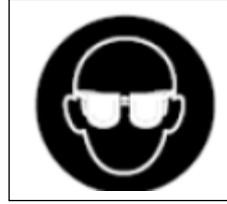
d) The smaller the gauge number of the wire the greater the capacity of the cord.

e) When using a cable reel, always unwind the cable completely.

SYMBOLS AND POWER RATING CHART



Danger! – Read the operating instructions to reduce the risk of injury.



Caution! Wear safety goggles.



Caution! Wear ear defenders. The impact of noise can cause damage to hearing.



Caution! Risk of Injury! Do not reach into the running saw blade.



Caution! Wear a dust mask.

MACHINE DETAILS AND PRODUCT FEATURES

Machine Details

Specifications:

Specifications:	BS305	BS340
Mains Voltage -	230V / 50Hz	
Power Consumption -	750W	1100W
Blade Spec –	2240mm X 3-20mm	2560mm X 3-25mm
Cutting Capacity -	165mm	225mm
Throat Width -	305mm	340mm
Cutting Speed -	370/800 m/min	
Gross Weight -	65kg	78kg
Nett Weight -	62kg	73kg

Package Contents:

Band Saw Mitre Gauge Stand Push Stick Rip Fence

Intended Use

The power tool is intended as a stationary machine for making straight lengthways and crossways cuts in wood.

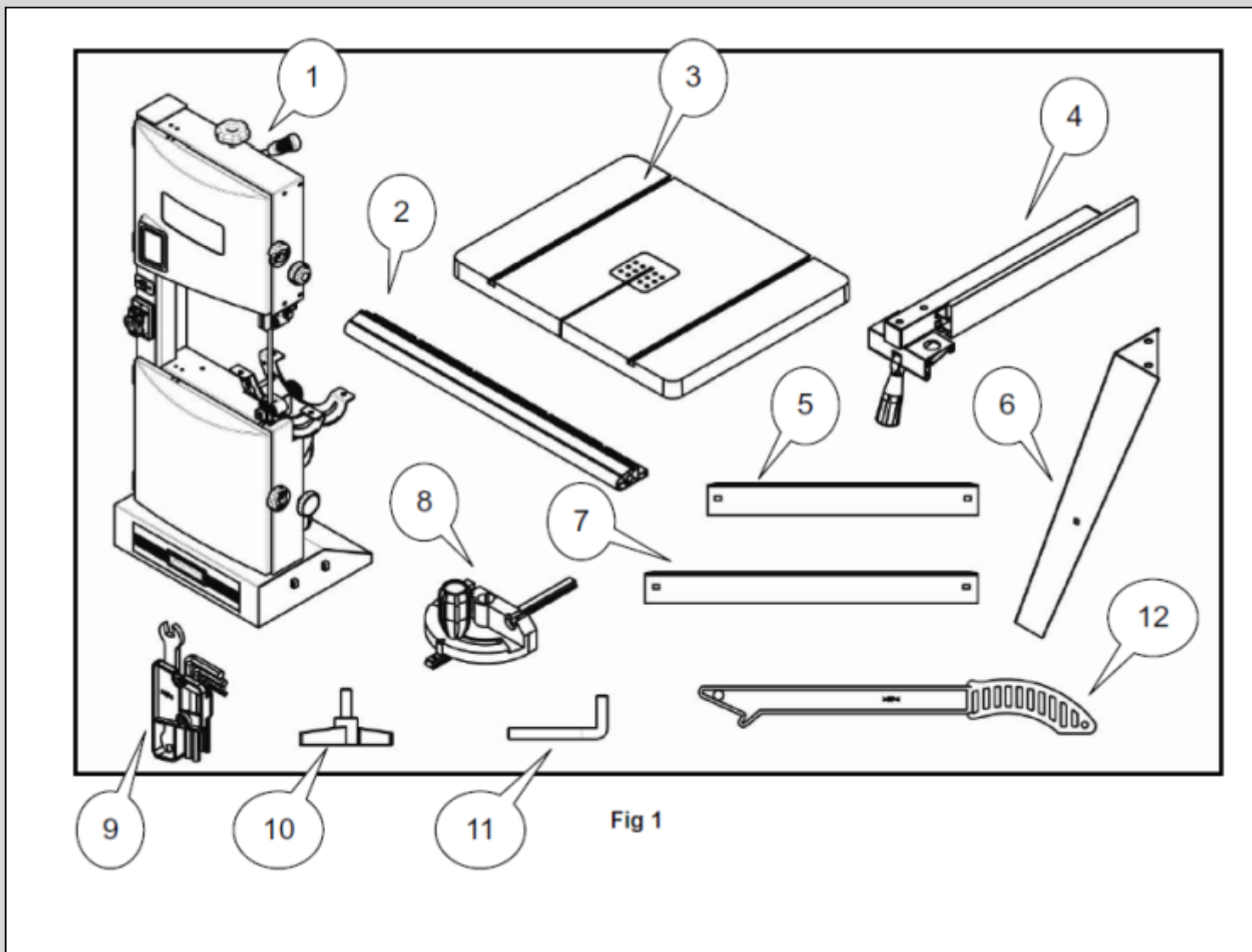
The capacity of the power tool is designed for sawing hardwood and softwood.

The power tool is not suitable for cutting aluminium or other non-ferrous metals or alloys.

Product Features

1. Band Saw
2. Guide Rail
3. Table With Insert
4. Rip Fence
5. Short Brace
6. Leg
7. Long Brace
8. Mitre Gauge
9. Tool Kit
10. Knob
11. Hook with Hex Nut
12. Push Stick

MACHINE DETAILS AND PRODUCT FEATURES



Assembly Instructions

Assembly

Avoid unintentional starting of the machine. During assembly and for all work on the machine, the power plug must not be connected to the mains supply.

Carefully remove all parts included in the delivery from their packaging.

Remove all packaging material from the machine and the accessories provided.

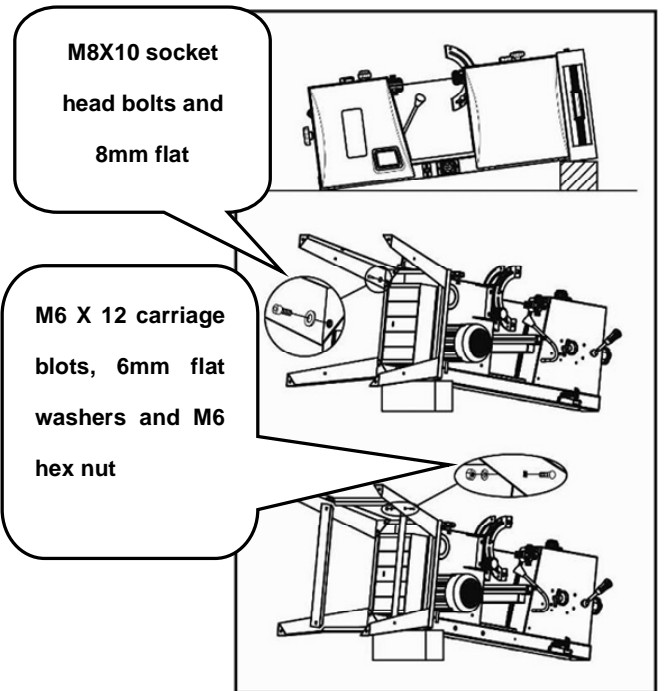
Before starting the operation of the machine for the first time, check if all parts listed in the box content section have been supplied

Note: Check the power tool for possible damage. Before further use of the machine, check that all protective devices are fully functional. Any lightly damaged parts must be carefully checked to ensure flawless operation of the tool. All parts must be properly mounted and all conditions fulfilled that ensure faultless operation.

Damaged protective devices and parts must be immediately replaced by an authorised service centre.

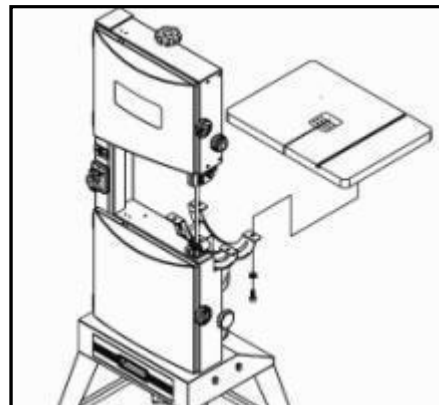
Attaching the Legs

- Lie the band saw on its back with a piece of timber propping up the base to allow access to the bottom of the machine.
- First attach the legs to the base using the M6hex headed bolts and the 6mm flat washers.
- Next fix the long and short horizontal braces but do not fully tighten them.
- Stand the band saw up on to its stand and then tighten the nuts fully on the braces.



Assembling the Table

- Place the table onto the band saw and loosely tighten the nuts.
- Align the table so that the blade sits in the centre of the table throat and tighten the nuts to secure the table in this position.



Assembly Instructions

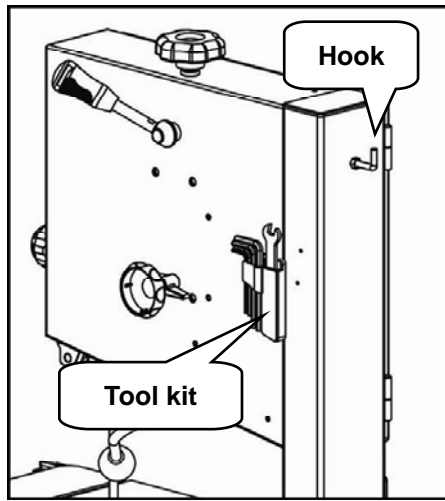
– Next attach the guide rail on to the table using four wing bolts supplied.

Guide rail

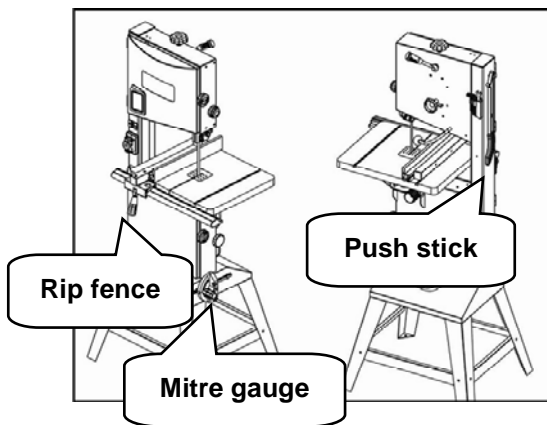
**Guide rail
locking knob**



– Install the hook and the tool kit as shown.

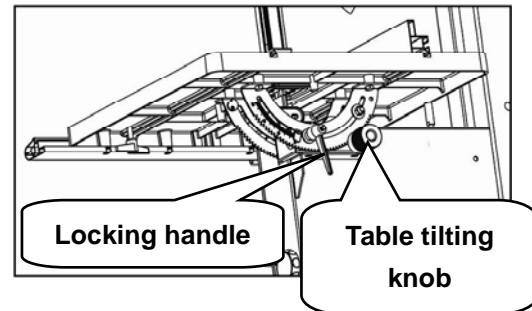


– Hang the push stick on the hook, and slide on the rip fence to the guide rail.



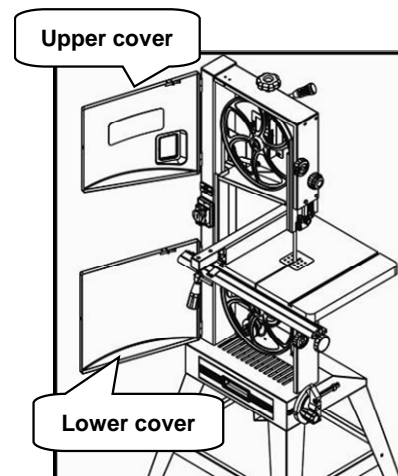
Adjusting the Table Tilt

– The table is tilted by loosening the locking handle, turn the table tilting knob to adjust the table to the desired angle. Use the angle indicator scale to find the desired angle. Retighten the locking handle to secure the table.

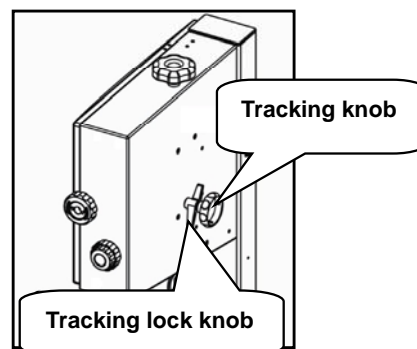


Adjusting the Blade

– Open the top and lower covers.



– Loosen the tracking lock knob.

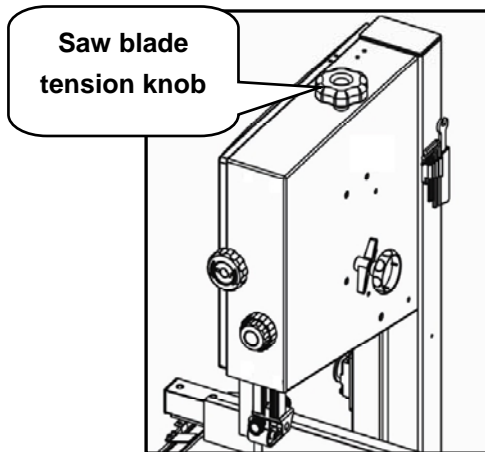


Assembly Instructions

– Whilst rotating the upper wheel by hand, turn the tracking knob until the blade tracks through the centre of the table throat. Then close upper and lower covers.

– Raise the upper blade guide.

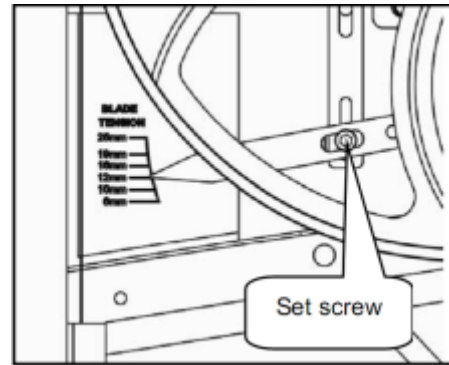
– Adjust the blade tension by turning the saw blade tension knob clockwise to increase the tension and anti-clockwise to decrease it



The blade tension is checked by pushing a finger on the blade half way between the table and upper guide, it should move no more than 2mm. If the blade is too tight it will break. If the blade is too loose it will slip off the drive wheel and become lodged in the machine

Blade tension indicator adjustment

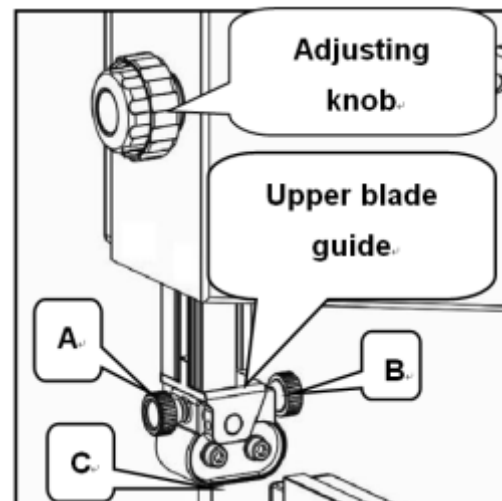
The blade tension indicator can be adjusted for blades known to be cut over/under length by different manufacturers. With moderate tension on the blade, loosen the set screw and adjust the blade indicator up or down as needed. Retighten the set screw.



Adjusting the Upper Guide

The height of the upper guide should be set before each cut to be approx. 3mm above the height of the work piece.

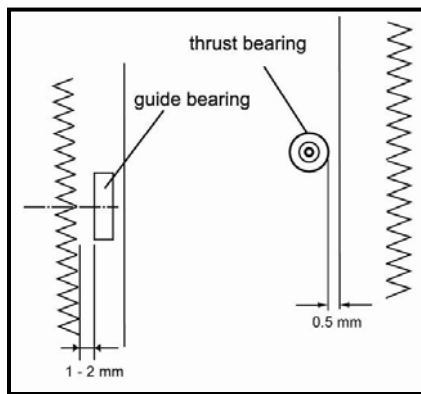
– Loosen the locking knob and adjust the height as required, and then re tighten the locking knob to hold the height in place.



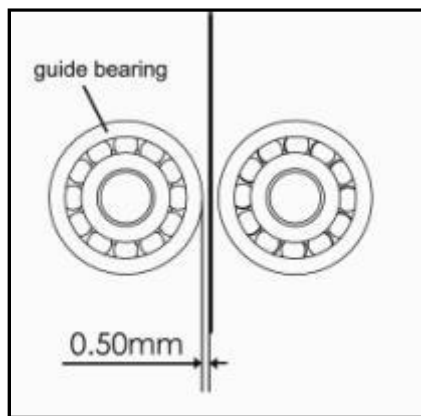
– Loosen knob A and adjust the bearing holder so that the guide bearing is positioned 1 – 2mm from the cutting edge of the blade. And then tighten knob A.

– Loosen knob B and adjust the thrust bearing so that it sits 0.5mm from the back of the blade, and then tighten knob B.

Assembly Instructions



– Loosen bolt C and adjust the guide bearing to site 0.5mm away from the blade on either side, and then tighten bolt C.



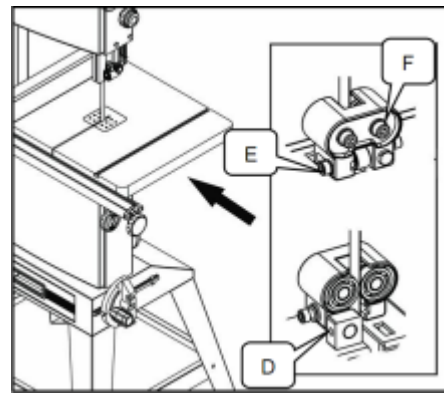
Adjusting the Lower Blade guide

This needs to be done after every blade change and every tracking adjustment.

– Loosen Bolt D and position the guide bearing so that it sits 1 – 2mm away for the cutting edge of the blade, and then tighten bolt D.

–Loosen the socket head bolt E, and adjust trust bearing to a position of 0.5mm from rear of blade. Retighten the bolt E.

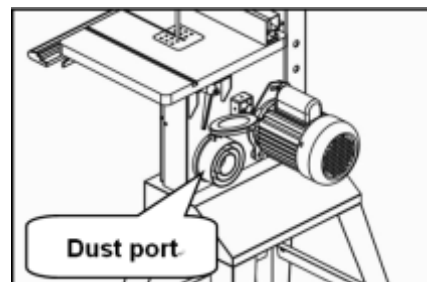
– Loosen bolt F and adjust the guide bearing to a position 0.5mm away from blade. Retighten the bolt F.



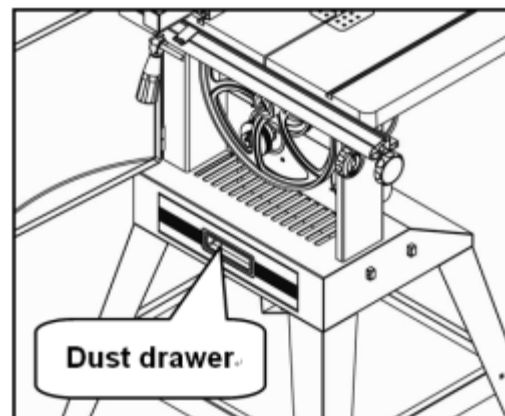
Dust Extraction

This machine has the option of attaching a dust extractor or using the integrated dust collection draw. The integrated dust draw will only collect the debris which naturally filters down through the machine and does not “suck” any dust away.

– Lift up dust port cover then insert firmly the extractor hose into the port.



The dust draw collects any debris that falls down through the machine and needs periodic cleaning even when a separate dust extractor is used.

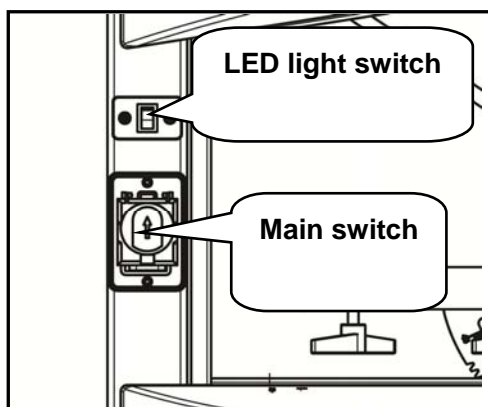


OPERATION

Operation

Before any work on the machine itself, remove the mains plug from outlet.

- Set the upper guide as describe previously approx. 3mm above the height of your work piece.
- Position the rip fence/mitre gauge as needed/required. Please note the rip fence can be positioned on either side of the blade.
- Turn on the LED light if required and start the machine.



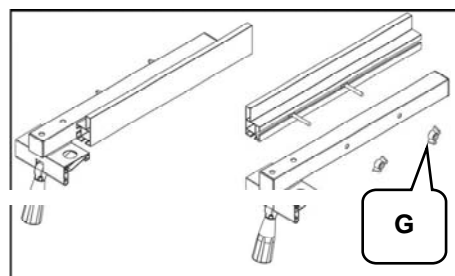
- Wait for the motor to reach full speed then push through your work piece, using the push stick to stop accidental touching of the blade.
- Turn of machine and LED light.

Using rip fence

The rip fence can be used on both side of the blade. When the rip fence is moved from one side of the saw blade to other the fence needs to reverse.

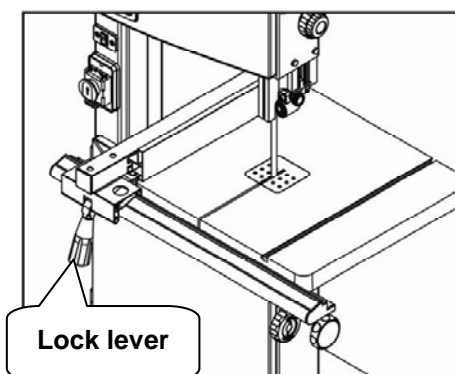
Reversing the fence

- Loosen and remove the two knobs G.
- Take off the fence with bolts from the fence support.
- Assemble the fence with bolts to other side of the fence support.
- Replace the two knobs G.



Clamping the rip fence

- Place rip fence on the guide rail.
- Move the fence to a needed position, the scale indicates distance form saw blade to the fence.
- Tighten the lock lever to champ the rip fence.

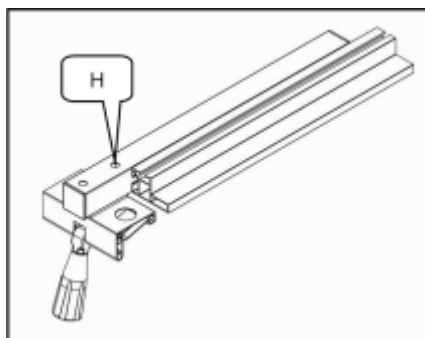


OPERATION

Fence height can be lowered when cutting thin materials

- Loosen the two knobs G.
- Slide the fence out from fence support.
- Rotate fence 90° .
- Insert the lock screw into other groove of the fence.
- Retighten the two knobs G.

Fence can be adjusted paralleling with the side of blade by loosening the two socket bolts H.



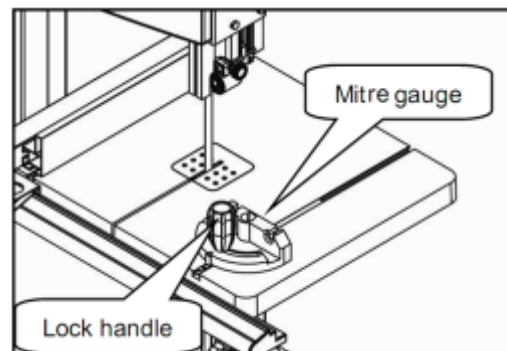
Using mitre gauge

The mitre gauge is inserted into the table slot from the table front edge.

For mitre cuts, the mitre gauge can be turned to 60° in both directions.

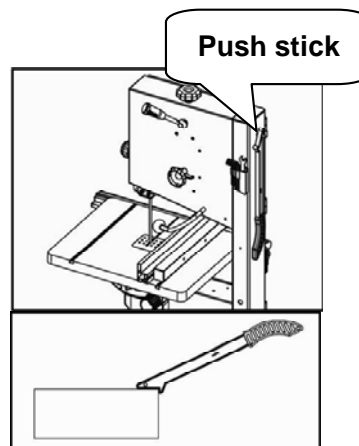
To set a mitre angle: loosen lock handle by turning it counter-clockwise.

Warning: When cutting with mitre gauge, the lock handle must be firmly tightened.



Using push stick

The push stick serves as an extension of the hand and protects against accidental contact with saw blade. The push stick must be used if the distance between band saw blade and a rip fence is less than 150mm. When the push stick is not used, it can be stored on the hook provided at the band saw frame. Replace push stick if damaged.



Sawing

- Set upper blade guide 3mm above the workpiece.
- Place workpiece on the table.
- plug in.
- Start saw.
- Cut workpiece in a single pass.
- Switch off no further cutting is to be done immediately afterwards.

MAINTENANCE AND SERVICE

Maintenance and Service

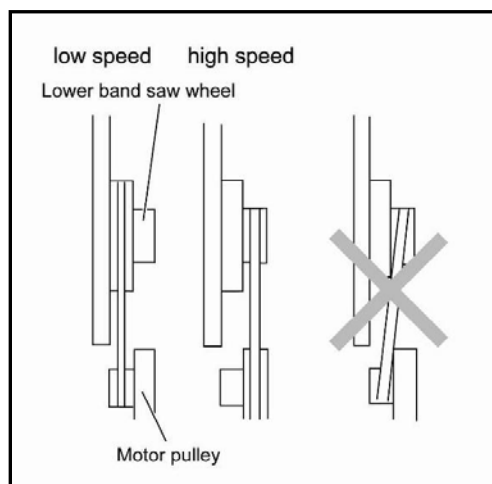
Be aware that the machine should always have the on/off switch set to the off position and be unplugged from any outlet before any inspection, adjustments, maintenance or cleaning is performed.

– **Before each use** inspect the general condition of the machine. Check for loose screws, misalignment or binding of moving parts, cracked or broken parts, damaged electrical wiring, or any other condition that may affect its safe operation. If abnormal noise or vibration occurs, have the problem corrected before further use.

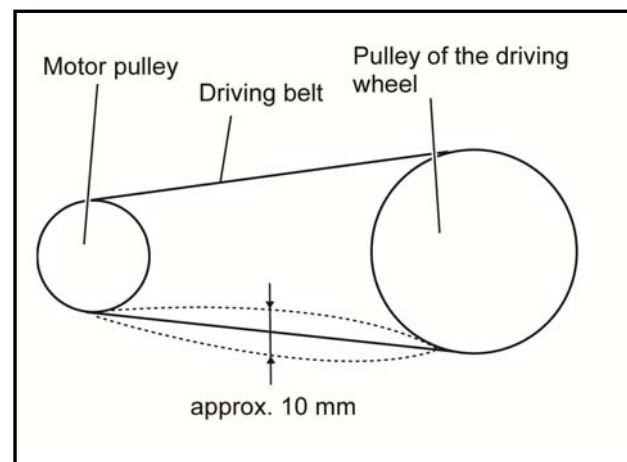
– **Each day** remove all sawdust and debris from the router table with a soft brush, cloth or vacuum. Also lubricate all moving parts with a premium lightweight machine oil. **Do not use solvents or caustic agents to clean the band saw.**

Changing the Cutting Speed

- Open the lower cover.
- Slacken the drive belt by turning the knob clockwise.
- Put the drive belt on the correct drive wheels as required.



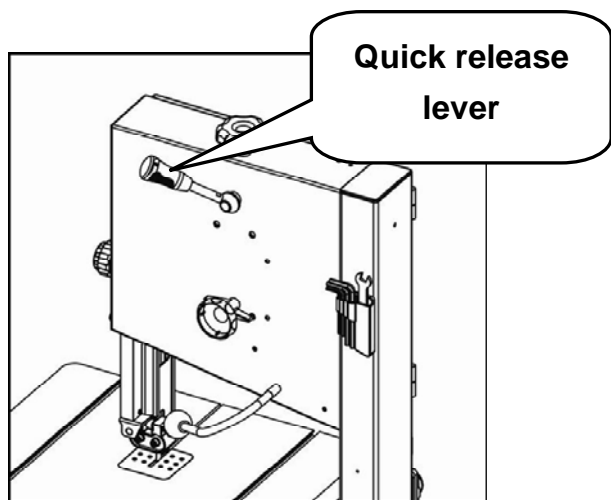
- Now tighten the drive belt knob.
- Now check the belt is tensioned correctly, do this by pulling the belt half way between the pulleys and it should be approx. 10mm.
- If it needs adjusting loosen the motor locking bolt and turn the motor anti-clockwise to loosen the belt and clockwise to tighten the belt.
- When the correct tension is achieved tighten the motor locking bolt.



- Remove the guide rail from the table.
- Open the upper and lower covers.
- Set the upper blade guide to its lowest position.
- Loosen the saw blade tension knob until the blade has slackened so that the blade can be removed.
- Remove the blade and clean both top and bottom pulleys before installing the new blade.
- Tighten the saw blade tension knob, and replace the guide rail and close the top and bottom covers.

MAINTENANCE AND SERVICE

– Now align and tension the blade then adjust the upper and lower blade guides as described earlier in this manual.



LUMBERJACK GUARANTEE

1. Guarantee

1.1 Lumberjack guarantees that for a period of 12 months from the date of purchase the components of qualifying products (see clauses 1.2.1 to 1.2.8) will be free from defects caused by faulty construction or manufacture.

1.2. During this period Lumberjack, will repair or replace free of charge any parts which are proved to be faulty in accordance with paragraph 1.1 providing that:

1.2.1 You follow the claims procedure set out in clause 2

1.2.2 Lumberjack and its authorised dealers are given reasonable opportunity after receiving notice of the claim to examine the product

1.2.3 If asked to do so by Lumberjack or its Authorised dealer, you return the product at your own cost to Lumberjack's or supplying Authorised Dealer's premises, for the examination to take place clearly stating the Returns Material Authorisation number given by Lumberjack or an Authorised Dealer.

1.2.4 The fault in question is not caused by industrial use, accidental damage, fair wear and tear, wilful damage, neglect, incorrect electrical connection, misuse, or alteration or repair of the product without approval.

1.2.5 The product has been used in a domestic environment only

1.2.6 The fault does not relate to consumable items such as blades, bearings, drive belts, or other wearing parts which can reasonably be expected to wear at different rates depending on usage.

1.2.7 The product has not been used for hire purposes.

1.2.8 The product has been purchased by you as the guarantee is not transferable from a private sale.

2. Claims Procedure

2.1 In the first instance please contact the Authorised Dealer who supplied the product to you. In our experience many initial problems with machines that are thought to be faulty due to faulty parts are actually solved by correct setting up or adjustment of the machine. A good Authorised Dealer should be able to resolve the majority of these issues much more quickly than processing a claim under the guarantee. If a return is requested by the Authorised Dealer or Lumberjack, you will be provided with a Returns Material Authorisation number which must be clearly stated on the returned package, and any accompanying correspondence. Failure to provide a Returns Material Authorisation number may result in item being refused delivery at Authorised Dealer.

2.2 Any issues with the product resulting in a potential claim under the guarantee must be reported to the Authorised Dealer from which it was purchased within 48 hours of Receipt.

2.3 If the Authorised Dealer who supplied the product to you has been unable to satisfy your query, any claims made under this Guarantee should be made directly to Lumberjack. The Claim itself should be made in a letter setting out the date and place of purchase, giving a brief explanation of the problem which has led to the claim. This letter should be then sent with proof

LUMBERJACK GUARANTEE

of purchase to Lumberjack. If you include a contact number with this it will speed your claim up.

2.4 Please note that it is essential that the letter of claim reaches Lumberjack on the last day of this Guarantee at the latest. Late claims will not be considered.

3. Limitation of Liability

3.1 We only supply products for domestic and private use. You agree not to use the product for any commercial, business or resale purposes and we have no liability to you for any loss of profit, loss of business, business interruption or loss of business opportunity.

3.2 This Guarantee does not confer any rights other than these expressly set out above and does not cover any claims for consequential loss or damage. This Guarantee is offered as an extra benefit and does not affect your statutory rights as a consumer.

4. Notice

This Guarantee applies to all product purchased from an Authorised Dealer of Lumberjack within the United Kingdom. Terms of Guarantee may vary in other countries.

We Importer:

TOOLSAVE LTD

Unit C, Manders Ind. Est.,
Old Heath Road, Wolverhampton,
WV1 2RP.

Declare that the product:

Designation: 12" / 14" Bandsaw

Model: BS305/BS340

Complies with the following Directives:

Electromagnetic Compatibility Directive - **2004/108/EC**

Machine Directive - **2006/42/EC**

Restrictions of the use of Hazardous Substances in Electrical Equipment - **2011-65/EU**

Waste Electrical and Electronic Equipment - **2012/19/EU**

Standards & technical specifications referred to:

EN 61029-1:2009/A11:2010

EN 61029-2-5:2011

EN 61029-2-5:2009/A11:2015

EN 61000-3-3:2013

Authorised Technical File Holder: Bill Evans

01.07.2020

The Director



Parts List

No.	Description	No.	Description
1	Socket head screw	32	Retaining ring
2	Flat washer	33	Upper wheel
3	Blade tension knob	34	Retaining ring
4	Screw	35	Tyre
5	Bushing	36	Blade
6	Retaining ring	37	Upper cover
7	Frame cap	38	Viewing window
8	Pan head screw	39	Window case
9	Hex nut	40	Pan head screw
10	Tension bracket	41	Interlock switch key
11	Spring	42	Hex nut
12	Nut	43	Lower cover
13	Connecting plate	44	Lock nut
14	Bolt	45	Bushing
15	Hex head bolt	46	Socket head screw
16	Flat washer	47	Nut
17	Guide rod	48	Flat washer
18	Nut	49	LED driver
19	Lock nut	50	Socket head screw
20	Blade tension pointer	51	Thread forming screw
21	Bolt	52	Cord clamp
22	Retaining ring	53	Led switch box
23	Shaft	54	Switch cover
24	Guide plate	55	Pan head screw
25	Pulling plate	56	LED switch
26	Hex head bolt	57	Serrated washer
27	Flat washer	58	Pan head screw
28	Hex nut	59	Thread forming screw
29	bevel block	60	Cord clamp
30	Shaft	61	Cord clamp
31	Ball bearing	62	Switch box

Parts List

No.	Description	No.	Description
63	Connecting terminal	94	Tracking set knob
64	Thread forming screw	95	Tracking lock knob
65	Main switch	96	Cap
66	Pan head screw	97	Thread forming screw
67	Frame	98	Limiting plate
68	Nut	99	Upper blade guard
69	Flat washer	100	Shaft
70	Bushing	101	Gear
71	Flat washer	102	Upper guide adjusting knob
72	Brush	103	Spring
73	Carriage blot	104	Lock knob
74	Hex nut	105	Rack
75	Spindle pulley	106	Pin
76	Socket head screw	107	Sliding cover
77	Drawer handle	108	Socket head bolt
78	Dust drawer	109	Support block
79	Spring	110	Connecting shaft
80	Ball	111	Set screw
81	Thread forming screw	112	Thread forming screw
82	Ball house	113	Retaining ring
83	Cover	114	Bearing
84	Interlock switch	115	Shaft
85	Switch	116	Knob
86	Hex nut	117	Flat washer
87	Set screw	118	Socket head screw
88	Cam	119	Flat washer
89	Bushing	120	Knob
90	Nut	121	Guide block
91	Shaft	122	Shaft
92	Handle	123	Ball bearing
93	Handle cap	124	Socket head screw

Parts List

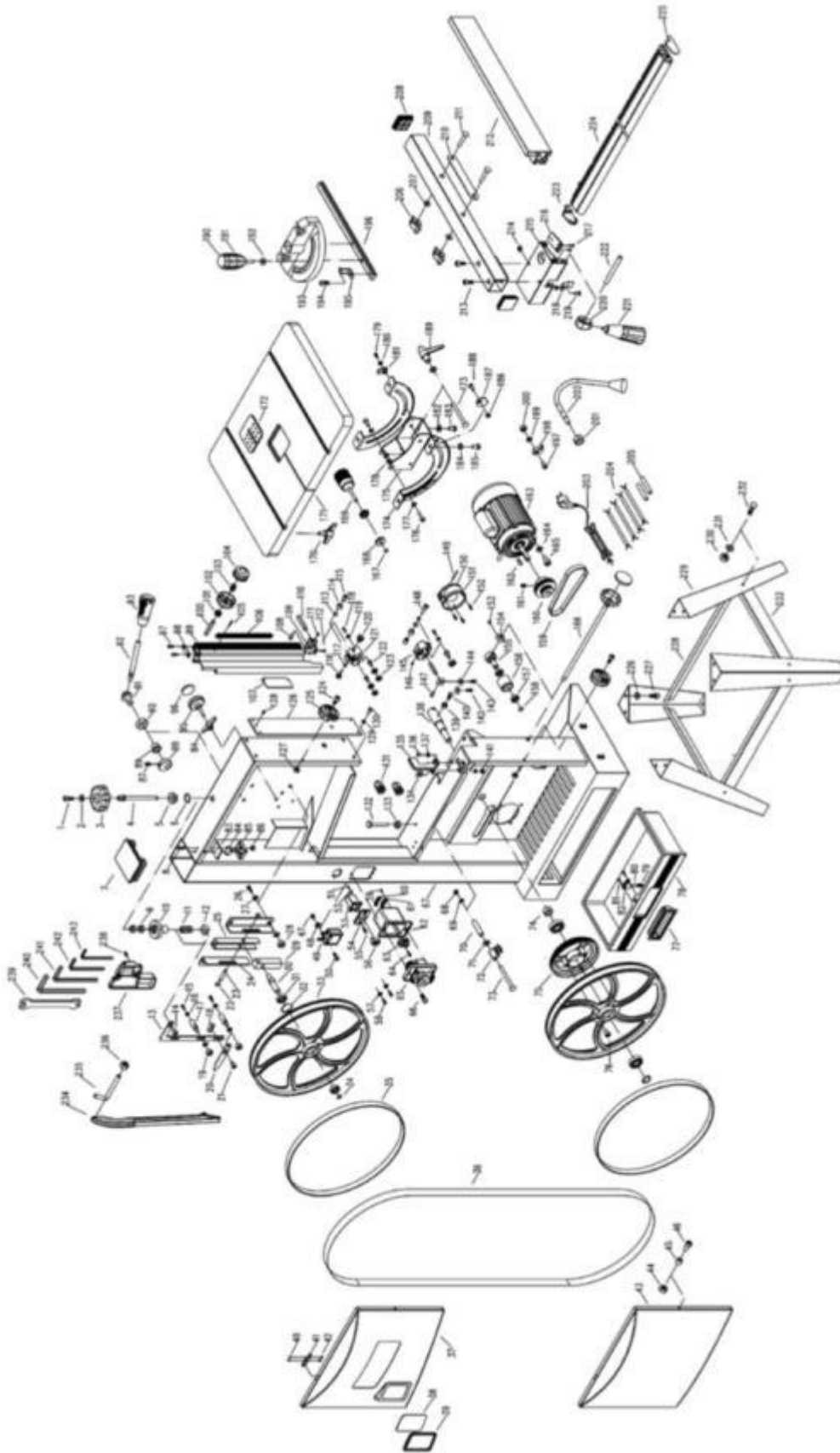
No.	Description	No.	Description
125	Cover lock knob	156	Idle pulley
126	Guide plate	157	Ball bearing
127	Lock nut	158	Retaining ring
128	Set screw	159	Belt
129	Flat washer	160	Motor pulley
130	Hex head bolt	161	Set screw
131	Cord bushing	162	Key
132	Limiting shaft	163	Motor
133	Hex nut	164	Flat washer
134	Guide block	165	Socket head screw
135	Lower guard	166	Belt tension knob
136	Hex head bolt	167	Retaining ring
137	Flat washer	168	Gear
138	Shaft	169	Table adjusting knob
139	Hex nut	170	Lock knob
140	Hex head bolt	171	Table
141	Hex nut	172	Table insert
142	Hex head bolt	173	Carriage bolt
143	Hex head bolt	174	Angle guide plate
144	Flat washer	175	Table beveling base
145	Guide block	176	Socket head bolt
146	Set screw	177	Flat washer
147	Socket head screw	178	Lock nut
148	Socket head screw	179	Pan head screw
149	Pin	180	Flat washer
150	Dust port cover	181	Pointer
151	Dust port	182	Flat washer
152	Pan head screw	183	Hex head bolt
153	Set screw	184	Flat washer
154	Bushing	185	Socket head screw
155	Idle pulley shaft	186	Hex nut

Parts List

No.	Description	No.	Description
187	Limiting plate	216	Pointer
188	Hex head bolt	217	Thread forming screw
189	Locking handle	218	Spring plate
190	Cap	219	Pan head screw
191	Handle	220	Lock block
192	Washer	221	Lock handle
193	Miter gauge	222	Shaft
194	Pan head screw	223	Guide rail cap
195	Pointer	224	Guide rail
196	Rod	225	Guide rail cap
197	Socket head screw	226	Flat washer
198	Cord clamp	227	Socket head screw
199	Flat washer	228	Long brace
200	Nut	229	Leg
201	Hex nut	230	Hex nut
202	LED driver	231	Flat washer
203	Power cord	232	Carriage blot
204	Inner cord	233	Short brace
205	Flexible tube	234	Push stick
206	Knob	235	Hook
207	Flat washer	236	Hex nut
208	Fence support cap	237	Rack
209	Fence support	238	Pan head screw
210	Guide plate	239	Open spanner
211	Carriage blot	240	6mm hex wrench
212	Fence	241	5mm hex wrench
213	Socket head bolt	242	4mm hex wrench
214	Nut	243	3mm hex wrench
215	Sliding base		

*Alternative parts. Your machine may not have this assembly part.

Parts Diagram



Accessory for Circular Cutting(Optional)

Introduction

Your band saw may be provided with accessory for circular cutting in the carton. To use the accessory, read and understand the following instructions.

Installed Circular device

If your Band saw has been installed circle device, please ignore this step.

Remove old Connecting Block(NO.100)

1. Loosen the screw.



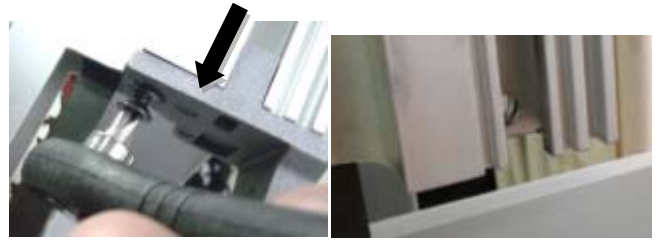
2. Pull the guide block .



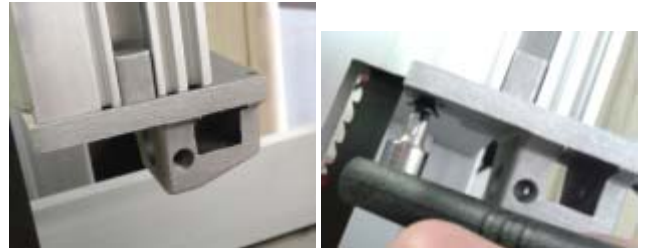
3. Loosen the socket head screw.



4. Loosen the screw, and remove connecting block



5. Install the Circular cutting and tighten the screw.



6. Tighten the socket head screw.



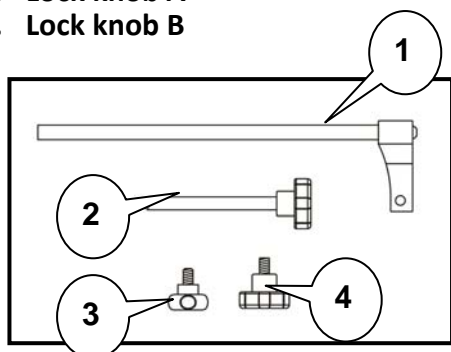
7. Push the guide block the hole and tighten the screw.



Accessory for Circular Cutting(Optional)

TABLE OF LOOSE PARTS

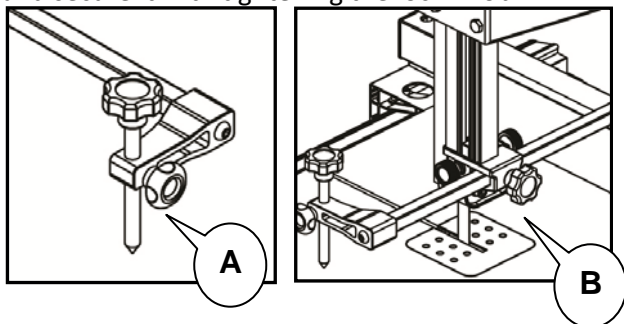
1. Sliding bracket
2. Centre pin
3. Lock knob A
4. Lock knob B



ASSEMBLY

Insert the centre pin into the hole of sliding bracket. Fix it with the lock knob A.

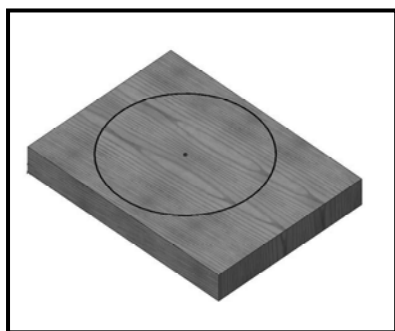
Fix the sliding bar into the bearing bracket of the upper guard assembly. Slide it to the desired position and secure it with tightening the lock Knob B.



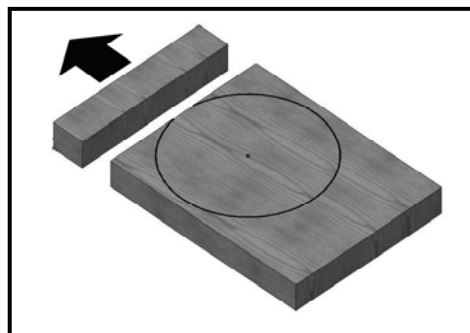
OPERATION

Attention: To make a circular cutting, using a possible narrow saw blade is necessary.

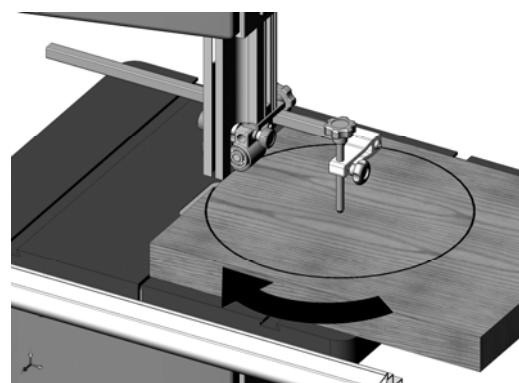
1. Draw a circle and its centre point on the wood workpiece.



2. Set the fence to desired position where the saw blade is inline to the tangent of the circle mark, while the wood work piece is guided by fence. Turn on the band saw and cut off the workpiece.



3. Put the remained workpiece with circle mark onto the table. Align the point of tangency to saw blade teeth. Set the centre pin in line to the circle centre, fix these with tightening the knob A. Turn on the band saw, slowly rotate and feed the workpiece to saw blade.



4. You also can easily cut out round corner, sector with the accessory.

