



ORIGINAL INSTRUCTIONS

TABLE OF CONTENTS

Welcome to Lumberjack!

Dear customer, Congratulations on your purchase. Before using the Product for the first time please be sure to read these instructions for use. They provide you with all information necessary for using the product safely and to ensure its long service life.

Closely observe all safety information in these instructions!

General Power Tool Safety Warnings.....	01
Symbols & Cable Rating Chart	05
Machine Details and Product features.....	06
Assembly.....	07
Operation.....	11
Maintenance and Service.....	11
Lumberjack Guarantee.....	13
Declaration of conformity.....	15
Parts list.....	16
Parts Diagram.....	20

GENERAL POWER TOOL SAFETY WARNINGS

WARNING Read all safety warnings and all instructions. Failure to follow the warnings and instructions may result in electric shock, fire and/or serious injury.

Save all warnings and instructions for future reference. The term "power tool" in the warnings refers to your electric power tool.

1. Work area safety

a) Keep work area clean and well lit. Cluttered or dark areas invite accidents.

b) Do not operate power tools in explosive atmospheres, such as in the presence of flammable liquids, gases or dust. Power tools create sparks which may ignite the dust or fumes.

c) Keep children and bystanders away while operating a power tool. Distractions can cause you to lose control.

2. Electrical safety

a) Power tool plugs must match the outlet. Never modify the plug in any way. Do not use any adapter plugs with grounded power tools. Unmodified plugs and matching outlets will reduce risk of electric shock.

b) Avoid body contact with grounded surfaces, such as pipes, radiators, ranges and refrigerators. There is an increased risk of electric shock if your body is grounded.

c) Do not expose power tools to rain or wet conditions. Water entering a power tool will increase the risk of electric shock.

d) Do not abuse the cord. Never use the cord for carrying, pulling or unplugging the power tool. Keep cord away from heat, oil, sharp edges or moving parts. Damaged or entangled cords increase the risk of electric shock.

e) When operating a power tool outdoors, use an extension cord suitable for outdoor use. Use of a cord suitable for outdoor use reduces the risk of electric shock.

f) If operating a power tool in a damp location is unavoidable, use a residual current device (RCD) protected supply. Use of an RCD reduces the risk of electric shock.

3. Personal safety

a) Stay alert, watch what you are doing and use common sense when operating a power tool. Do not use a power tool while you are tired or under the influence of drugs, alcohol or medication. A moment of inattention while operating power tools may result in serious personal injury.

b) Use personal protective equipment. Always wear eye protection. Protective equipment such as dust mask, non-skid safety shoes, hard hat, or hearing protection used for appropriate conditions will reduce personal injuries.

c) Prevent unintentional starting. Ensure the switch is in the off position before connecting to power source and/or battery pack, picking up or carrying the tool. Carrying power tools with your finger on the switch or energising power tools that have the switch on invites accidents.

d) Remove any adjusting key or wrench before turning the power tool on. A wrench or a key left attached to a rotating part of the power tool may result in personal injury.

GENERAL POWER TOOL SAFETY WARNINGS

e) Do not overreach. Keep proper footing and balance at all times. This enables better control of the power tool in unexpected situations.

f) Dress properly. Do not wear loose clothing or jewellery. Keep your hair, clothing and gloves away from moving parts. Loose clothes, jewellery or long hair can be caught in moving parts.

g) If devices are provided for the connection of dust extraction and collection facilities, ensure these are connected and properly used. Use of dust collection can reduce dust-related hazards.

4. Power tool use and care

a) Do not force the power tool. Use the correct power tool for your application. The correct power tool will do the job better and safer at the rate for which it was designed.

b) Do not use the power tool if the switch does not turn it on and off. Any power tool that cannot be controlled with the switch is dangerous and must be repaired.

c) Disconnect the plug from the power source and/or the battery pack from the power tool before making any adjustments, changing accessories, or storing power tools. Such preventive safety measures reduce the risk of starting the power tool accidentally.

d) Store idle power tools out of the reach of children and do not allow persons unfamiliar with the power tool or these instructions to operate the power tool. Power tools are dangerous in the hands of untrained users.

e) Maintain power tools. Check for misalignment or binding of moving parts, breakage of parts and any other condition that may affect the power tool's operation. If damaged, have the power tool repaired before use. Many accidents are caused by poorly maintained power tools.

f) Keep cutting tools sharp and clean. Properly maintained cutting tools with sharp cutting edges are less likely to bind and are easier

g) Use the power tool, accessories and tool bits etc. in accordance with these instructions, taking into account the working conditions and the work to be performed. Use of the power tool for operations different from those intended could result in a hazardous situation.

5. Service

a) Have your power tool serviced by a qualified repair person using only identical replacement parts. This will ensure that the safety of the power tool is maintained.

b) If the replacement of the supply cord is necessary, this has to be done by the manufacturer or its agent in order to avoid a safety hazard.

GENERAL POWER TOOL SAFETY WARNINGS

6. Additional Safety and working Instructions

6.1. Dust from materials such as lead-containing coatings, some wood types, minerals and metals can be harmful to one's health and cause allergic reactions, leading to respiratory infections and/or cancer. Materials containing asbestos may only be worked by specialists. Observe the relevant regulations in your country for the materials to be worked.

6.2. Prevent dust accumulation at the workplace. Dust can easily ignite.

7 Additional Safety Warning for Band Saws

7.1 Never stand on the power tool. Serious injuries can occur when the power tool tips over or when inadvertently coming into contact with the saw blade.

7.2 Never remove cutting remainders, wood chips, etc. from the sawing area while the machine is running.

7.3 Keep handles dry, clean and free from oil and grease. Greasy, oily handles are slippery causing loss of control.

7.4 Operate the power tool only when the work area to the work piece is clear of any adjusting tools, wood chips, etc. Small pieces of wood or other objects that come in contact with the rotating saw blade can strike the operator with high speed.

7.5 Keep the floor free of wood chips and material remainders. You could slip or trip.

7.6 Use the machine only for cutting the materials listed under Intended Use. Otherwise, the machine can be subject to overload.

7.7 Do not touch the saw blade after working before it has cooled. The saw blade becomes very hot while working.

7.8 Check the cable regularly and have a damaged cable repaired only through an authorised customer service agent. Replace damaged extension cables. This will ensure that the safety of the power tool is maintained.

7.9 Store the machine in a safe manner when not being used. The storage location must be dry and lockable. This prevents the machine from storage damage and from being operated by untrained persons.

GENERAL POWER TOOL SAFETY WARNINGS

7.10 Never leave the machine before it has come to a complete stop. Cutting tools that are still running can cause injuries.

7.11 Never use the machine with a damaged cable. Do not touch the damaged cable and pull the mains plug when the cable is damaged while working. Damaged cables increase the risk of an electric shock.

SYMBOLS AND POWER RATING CHART



Refer to instruction manual



Wear safety goggles.



Wear ear protection. The impact of noise can cause damage to hearing.



Caution! Risk of Injury! Do not reach into the running saw blade.



Wear a dust mask.



Do not dispose of in unsorted waste.



Wear protective gloves while working.

This machine is heavy and requires at least two persons to lift it.

MACHINE DETAILS AND PRODUCT FEATURES

Machine Details

Specifications:

Mains Voltage - 230V / 50Hz
Power Consumption - 375W Blade
Spec – 1826mm X 3-12.5mm
Cutting Capacity - 150mm
Throat Width - 245mm Cutting Speed
- 400-800m/min
Noise level-
Lpa: 70,7dB (A)
Uncertainty: 3dB (A)
Lwa: 83,7dB (A)
Uncertainty: 3dB (A)
Gross Weight - 42kg
Nett Weight - 39kg

Package Contents:

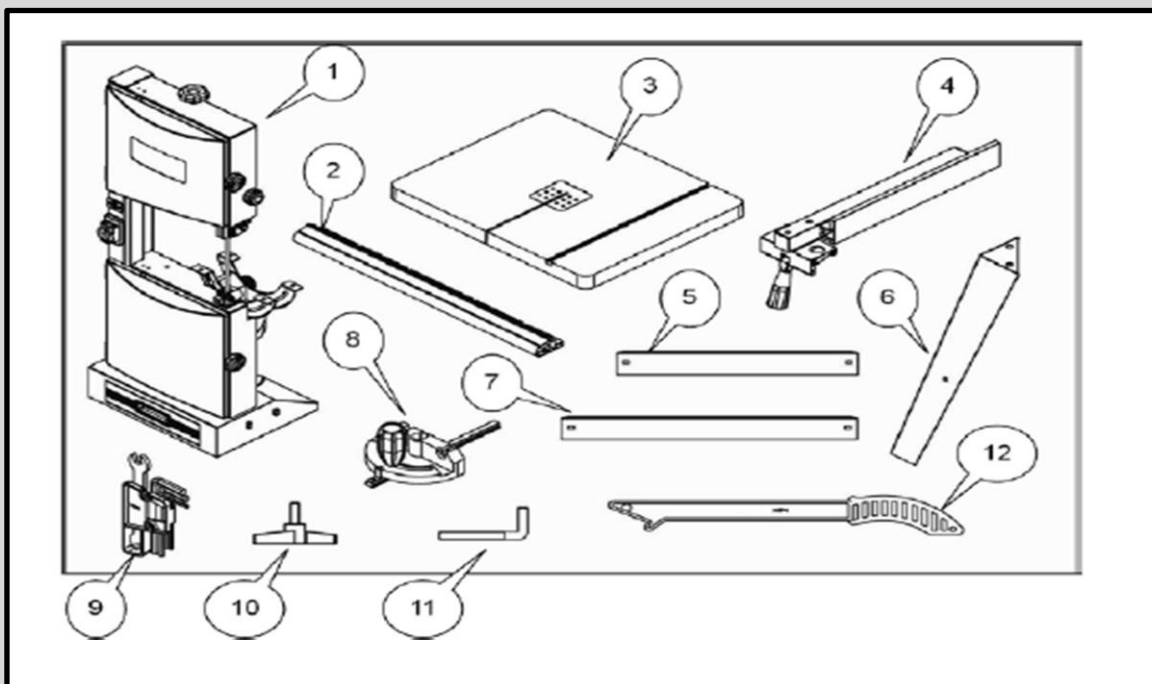
Band Saw
Mitre Gauge
Stand
Push Stick
Rin Fence

Product Features

1. Band Saw
2. Guide Rail
3. Table with Insert
4. Rip Fence
5. Short Brace
6. Leg
7. Long Brace
8. Mitre Brace
9. Tool Kit
10. Knob
11. Hook with Hex Nut
12. Push Stick

Intended Use

The power tool is intended as a stationary machine for making straight lengthways and crossways cuts in wood. The capacity of the power tool is designed for sawing hardwood and softwood. The power tool is not suitable for cutting aluminium or other non-ferrous metals or alloys.



ASSEMBLY

Avoid unintentional starting of the machine. During assembly and for all work on the machine, the power plug must not be connected to the mains supply.

Carefully remove all parts included in the delivery from their packaging.

Remove all packaging material from the machine and the accessories provided.

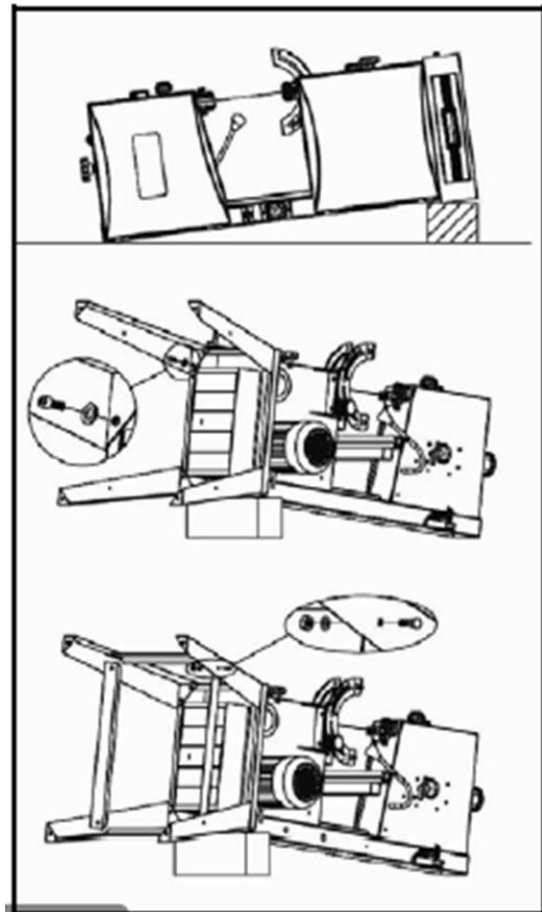
Before starting the operation of the machine for the first time, check if all parts listed in the box content section have been supplied.

Note: Check the power tool for possible damage. Before further use the machine, check that all protective devices are fully function. Any lightly damaged parts must be carefully checked to ensure flawless operation of the tool. All parts must be properly mounted and all conditions fulfilled that ensure faultless operation.

Damaged protective devices and parts must be immediately replaced by an authorised service centre.

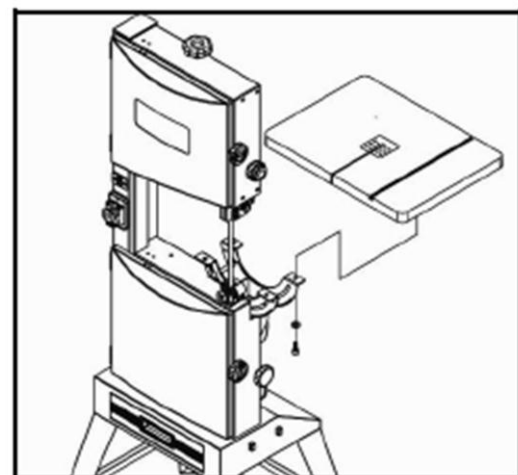
Attaching the Legs

- Lie the band saw on its back with a piece of timber propping up the base to allow access to the bottom of the machine.
- First attach the legs to the base using the M6 hex headed bolts and the 6mm flat washers.
- Next fix the long and short horizontal braces but do not fully tighten the bolts.
- Stand the band saw up on to its stand and then tighten the nuts fully on the braces.



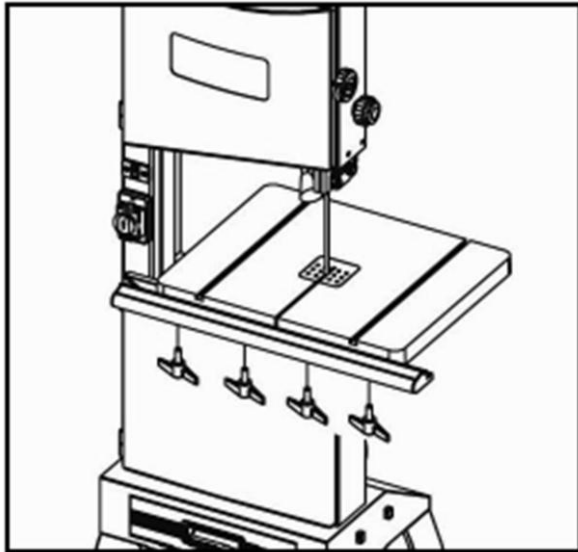
Assembling the Table

- Place the table onto the band saw and loosely tighten the nuts.
- Align the table so that the blade sits in the centre of the table throat and tighten the nuts to secure the table in this position.

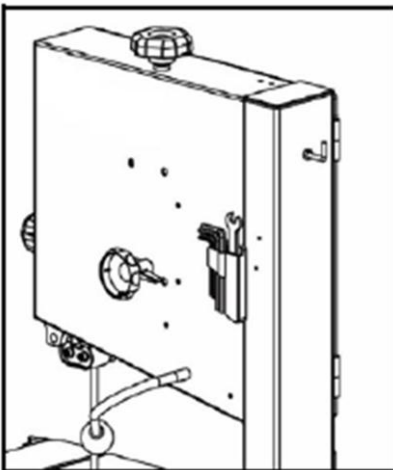


ASSEMBLY

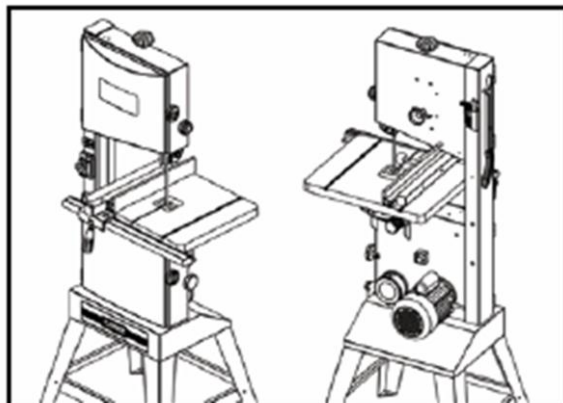
- Next attach the guide rail on to the table using four wing bolts supplied.



- Install the hook and the tool kit as shown.

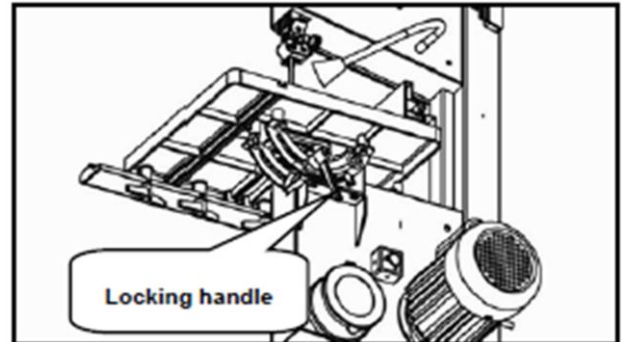


- Hang the push stick on the hook and slide on the rip fence to the guide rail.



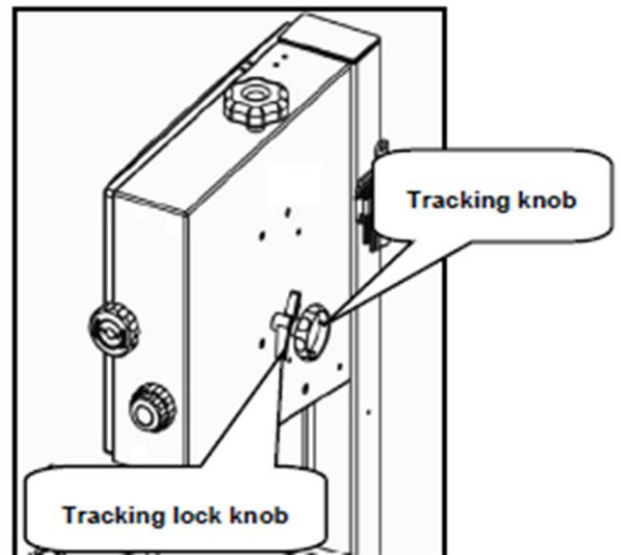
Adjusting the Table Tilt

- The table is tilted by loosening the locking handle, setting the tilt as required then tighten the locking handle back up.



Adjusting the Blade

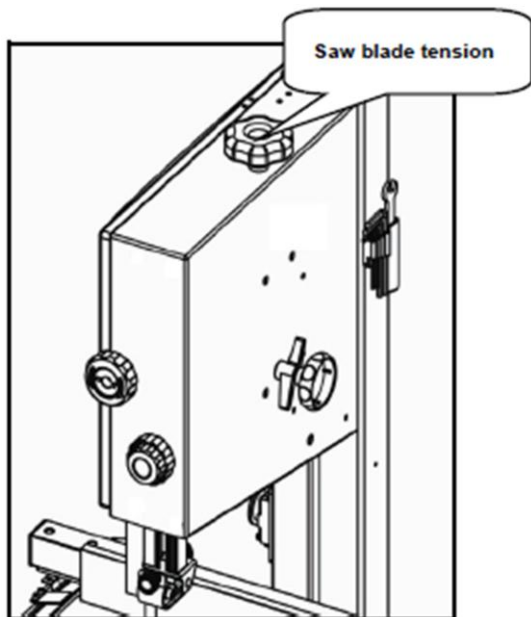
- Open the top and lower covers.



- Loosen the tracking lock knob.
- Whilst rotating the upper wheel by hand, turn the tracking knob until the blade tracks through the centre of the table throat. Then close upper and lower covers.
- Raise the upper blade guide.

ASSEMBLY

– Adjust the blade tension by turning the saw blade tension knob clockwise to increase the tension and anti-clockwise to decrease it.

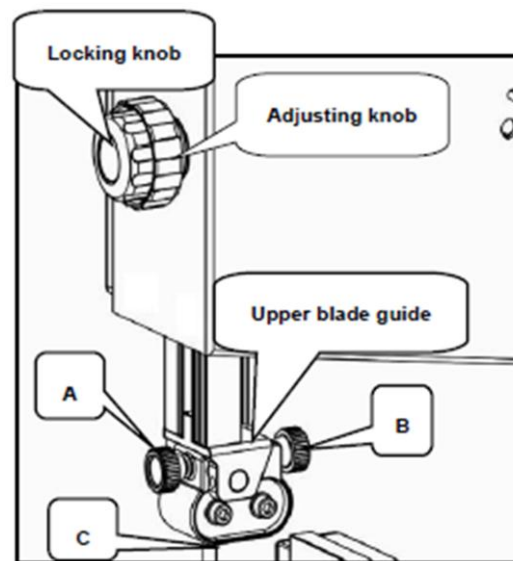


The blade tension is checked by pushing a finger on the blade half way between the table and upper guide, it should move no more than 2mm. If the blade is too tight it will break. If the blade is too loose it will slip off the drive wheel and become lodged in the machine

Adjusting the Upper Guide

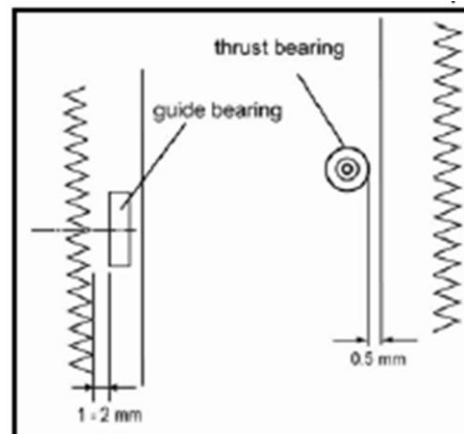
The height of the upper guide should be set before each cut to be approx. 3mm above the height of the work piece.

– Loosen the locking knob and adjust the height as required, and then re-tighten the locking knob to hold the height in place.



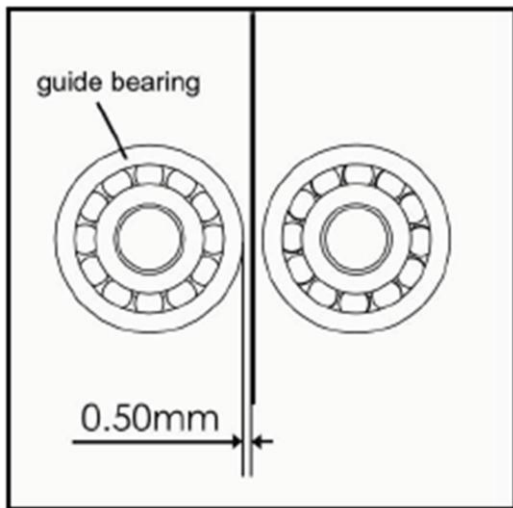
– Loosen knob A and adjust the bearing holder so that the guide bearing is positioned 1 – 2mm from the cutting edge of the blade. And then tighten knob A.

– Loosen knob B and adjust the thrust bearing so that it sits 0.5mm from the back of the blade, and then tighten knob B.



– Loosen bolt C and adjust the guide bearings to sit 0.5mm away from the blade on either side, and then tighten bolt C.

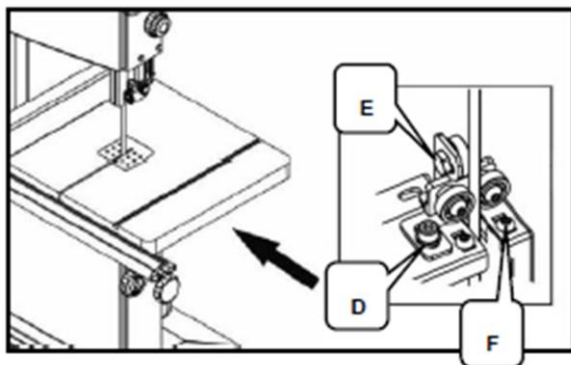
ASSEMBLY



Adjusting the Lower Blade guide

This needs to be done after every blade change and every tracking adjustment.

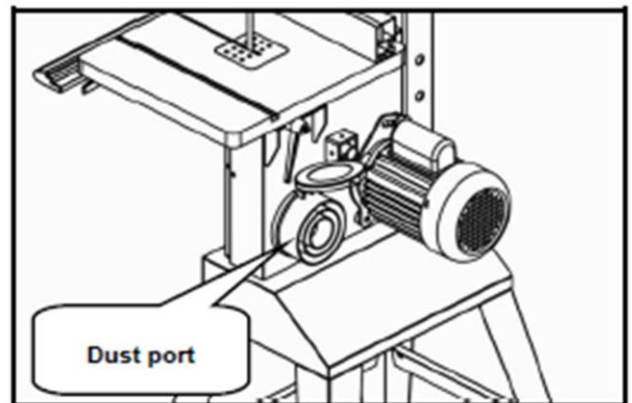
- Loosen Bolt D and position the guide bearing so that it sits 1 – 2mm away from the cutting edge of the blade, and then tighten bolt D.
- Loosen bolt E and adjust the thrust bearing so that it sits 0.5mm from the back of the blade, and then tighten bolt E.
- Loosen bolt F and adjust the guide bearing to sit 0.5mm away from the blade on either side, and then tighten bolt F.



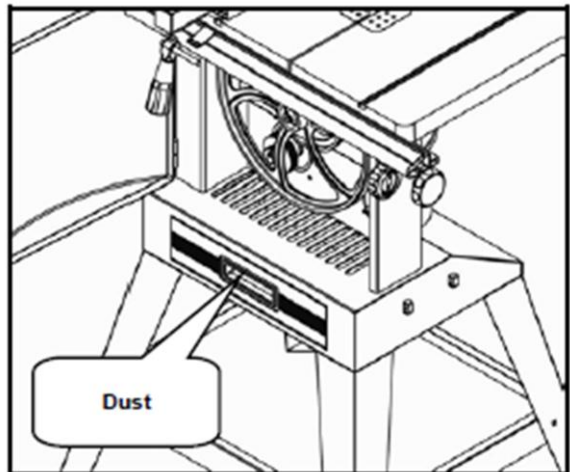
Dust Extraction

This machine has the option of attaching a dust extractor or using the integrated dust collection draw. The integrated dust draw will only collect the debris which naturally filters down through the machine and does not “suck” any dust away.

- Lift up dust port cover then insert firmly the extractor hose into the port.



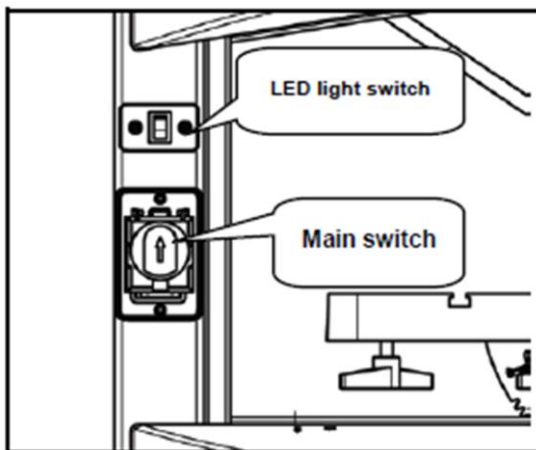
The dust draw collects any debris that falls down through the machine and needs periodic cleaning even when a separate dust extractor is used.



OPERATION & MAINTENANCE AND SERVICE

Before any work on the machine itself, remove the mains plug from outlet.

- Set the upper guide as describe previously approx. 3mm above the height of your work piece.
- Position the rip fence/mitre gauge as needed/required. Please note the rip fence can be positioned on either side of the blade.
- Turn on the LED light if required and start the machine.



- Wait for the motor to reach full speed then push through your work piece, using the push stick to stop accidental touching of the blade with your hand.
- Turn off machine and LED light.

Maintenance and Service

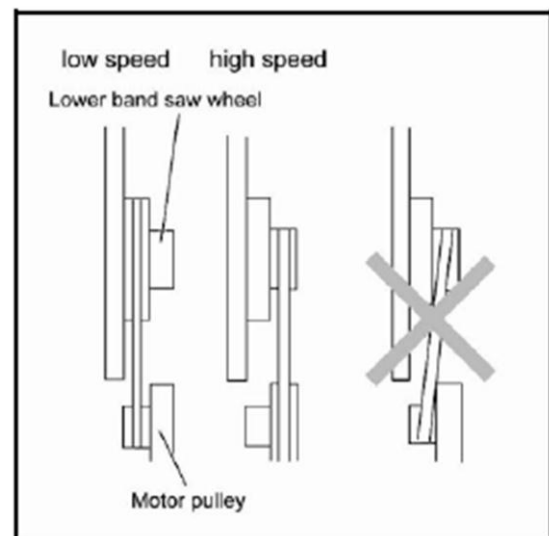
Be aware that the machine should always have the on/off switch set to the off position and be unplugged from any outlet before any inspection, adjustments, maintenance or cleaning is performed.

- Before each use inspect the general condition of the machine. Check for loose screws, misalignment or binding of moving parts, cracked or broken parts, damaged electrical wiring or any other condition that may affect its safe operation. If abnormal noise or vibration occurs, have the problem corrected before further use.

- Each day remove all sawdust and debris from the band saw with a soft brush, cloth or vacuum. Also lubricate all moving parts except the drive belt with premium lightweight machine oil. **Do not use solvents or caustic agents to clean the band saw.**

Changing the Cutting Speed

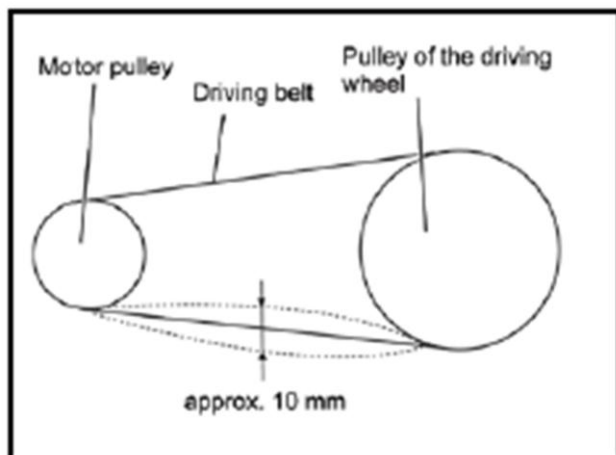
- Open the lower cover.
- Slacken the drive belt by turning the knob clockwise.
- Put the drive belt on the correct drive wheels



- Now tighten the drive belt knob.
- Now check the belt is tensioned correctly, do this by pulling the belt half way between the pulleys and it should approx. 10mm.

MAINTENANCE AND SERVICE

- If it needs adjusting loosen the motor locking bolt and turn the motor anti-clockwise to loosen the belt and clockwise to tighten the belt.
- When the correct tension is achieved tighten the motor locking bolt.



- Unplug power cord
- Remove the guide rail from the table.
- Open the upper and lower covers.
- Set the upper blade guide to its lowest position.
- Loosen the saw blade tension knob until the blade has slackened so that the blade can be removed.
- Remove the blade and clean both top and bottom pulleys before installing the new blade.
- Tighten the saw blade tension knob, and replace the guide rail and close the top and bottom covers.
- Now align and tension the blade then adjust the upper and lower blade guides as described earlier in this manual.

LUMBERJACK GUARANTEE

1. Guarantee

- 1.1 Lumberjack guarantees that for a period of 12 months from the date of purchase the components of qualifying products (see clauses 1.2.1 to 1.2.8) will be free from defects caused by faulty construction or manufacture
- 1.2 During this period, Lumberjack, will repair or replace free of charge any parts which are proved to be faulty in accordance with paragraph 1.1 providing that:
 - 1.2.1 You follow the claims procedure set out in clause 2.
 - 1.2.2 Lumberjack and its Authorised Dealers are given reasonable opportunity after receiving notice of the claim to examine the product.
 - 1.2.3 If asked to do so by Lumberjack or its Authorised Dealer, you return the product at your own cost to Lumberjack's or the supplying Authorised Dealer's Premises -

For the examination to take place clearly stating the Returns Material Authorisation Number given.

1.2.4 The fault in question is not caused by industrial use, accidental damage, fair wear and tear, wilful damage, neglect, incorrect electrical connection, misuse, alteration or repair of the product without approval.

1.2.5 The product has been used in a domestic environment only.

1.2.6 The fault does not relate to consumable items such as blades, bearings, drive belts or other wearing parts which can reasonably be expected to wear at different rates depending on usage.

1.2.7 The product has not been used for hire purposes.

1.2.8 The product has been purchased by you, as the guarantee is not transferable from a private sale.

LUMBERJACK GUARANTEE

2. Claims Procedure

2.1 In the first instance please contact the Authorised Dealer who supplied the product to you. In our experience many initial problems with machines that are thought to be fault due to faulty parts are actually solved by correct setting up or adjustment of the machine. A good Authorised Dealer should be able to resolve the majority of these issues much more quickly than processing a claim under the guarantee. If a return is requested by the Authorised Dealer or Lumberjack, you will be provided with a Returns Material Authorisation Number which must be clearly stated on the returned package, and any accompanying correspondence. Failure to provide a Returns Material Authorisation Number may result in item being refused delivery.

2.2 Any issues with the product resulting in a potential claim under the guarantee must be reported to the Authorised Dealer from which it was purchased within 48 hours of receipt.

2.3 If the authorised Dealer who supplied the product to you has been unable to satisfy your query, any claims made under this guarantee should be made directly to Lumberjack. The claim itself should be made in a letter setting out the date and place of purchase, giving a brief explanation of the problem which has led to the claim.

2.4 Please note that it is essential that the letter of claim reaches Lumberjack on the last day of this guarantee at the latest. Late claims will not be considered.

3. Limitation of Liability.

3.1 We only supply products for domestic and private use. You agree not to use the product for any commercial, business or resale purposes and we have no liability to you for any loss of profit, loss of business, business interruption or loss of business opportunity.

3.2 This guarantee does not confer any rights other than these expressly set out above and does not cover any claims for consequential loss or damage. This guarantee is offered as an extra benefit and does not affect your statutory rights as a consumer.

4. Notice

This guarantee applies to all product purchased from an Authorised Dealer of Lumberjack within the United Kingdom. Terms of guarantee may vary in other countries.

We Importer:

TOOLSAVE LTD

Unit C, Manders Ind. Est.,
Old Heath Road, Wolverhampton,
WV1 2RP.

Declare that the product:

**Designation: 10" Bandsaw
Model: BS254**

Complies with the following Directives:

Electromagnetic Compatibility Directive - **2004/108/EC**

Machine Directive - **2006/42/EC**

Restrictions of the use of Hazardous Substances in Electrical Equipment - **2011-65/EU**

Waste Electrical and Electronic Equipment - **2012/19/EU**

Standards & technical specifications referred to:

EN 61029-1:2009/A11:2010

EN 61029-2-5:2011

EN 61029-2-5:2009/A11:2015

EN 61000-3-3:2013

Authorised Technical File Holder: Bill Evans

01.07.2020

The Director



PARTS LIST

No.	Description	No.	Description
1	Tension Knob	27	Lower Wheel Cover
2	Spacer	28	6mm Locknut
3	3AMI-15 Retaining Ring	29	Gasket
4	Body Plug	30	6 x 16mm Socket Head Screw
5	4 x 25mm Cross Head Screw	31	Switch Box Cover
6	Tension Spring	32	Micro-Switch
7	Tension Nut	33	Switch Box
8	3AMI-8 Retaining Ring	34	4mm Nut
9	Adjusting Block Arbor	35	Body
10	Guide Rail Plate	36	4mm Cap Nut
11	Pull Block	37	4mm Flat Washer
12	8 x 16mm Set Screw	38	LED Lamp Driver
13	8mm Flat Washer	39	4 x 12mm Socket Head Screw
14	8mm Hex Nut	40	4.2x9.5mm Tapping Screw
15	Adjusting Block	41	Clamp
16	Upper Wheel Shaft	42	LED Lamp Switch Box
17	Ball Bearing	43	LED Lamp Switch Plate
18	3BMI-26 Retaining Ring	44	4 x 12mm Cross Head Screw
19	Wheel	45	Switch
20	3AMI-10 Retaining Ring	46	4mm Toothed Washer
21	Tread	47	4 x 8mm Cross Head Screw
22	Blade	48	2.9x9.5mm Tapping Screw
23	4 x 10mm Cross Head Screw	49	Clamp
24	Microswitch Sheeting	50	Clamp
25	4mm Hex Nut	51	Switch Box
26	Upper Wheel Cover	52	Terminal Board

PARTS LIST

No.	Description	No.	Description
53	2.9 x 16mm Cross Head Screw	80	Handle
54	Switch	81	6 x 16mm Socket Head Screw
55	4 x 12mm Cross Head Screw	82	Shaft
56	8mm Cap Nut	83	Gear
57	8mm Flat Washer	84	Adjusting Handle
58	Brush Spacer	85	Spring
59	8mm Flat Washer	86	Locking Handle
60	Brush	87	Lower Blade Guard Plate
61	8 x 70mm Head Square Bolt	88	6 x 10mm Socket Head Screw
62	14mm Hex Nut	89	Lower Wheel Shaft
63	Spindle Pulley	90	6mm Hex Nut
64	5 x 10mm Socket Head Screw	91	6 x 20mm Set Screw
65	Drawer	92	4.8 x 13mm Cross Head Screw
66	2.9 X 9.5mm Cross Head Screw	93	Location Limited Plate
67	Steel Ball Fixing Sleeve	94	Blade Guard Cover
68	8mm Steel Ball	95	Rack
69	Steel Ball Spring	96	Spring Pin
70	Drawer Handle	97	Guard Plate
71	Strain Relief	98	5 x 8mm Socket Set Screws
72	Level Locating Rod	99	Connecting Shaft
73	8mm Hex Nut	100	Connecting Block
74	Handle Cover	101	6 x 8mm Socket Set Screws
75	Upper Wheel Adjusting Handle	102	4.8 x 13mm Cross Head Screw
76	Upper Wheel Position Fixing Handle	103	Knob II
77	Guide Block	104	5mm Flat Washer
78	4 x 8mm Cross Head Screw	105	Guide Block
79	6mm Locknut	106	Bearing Pillar II

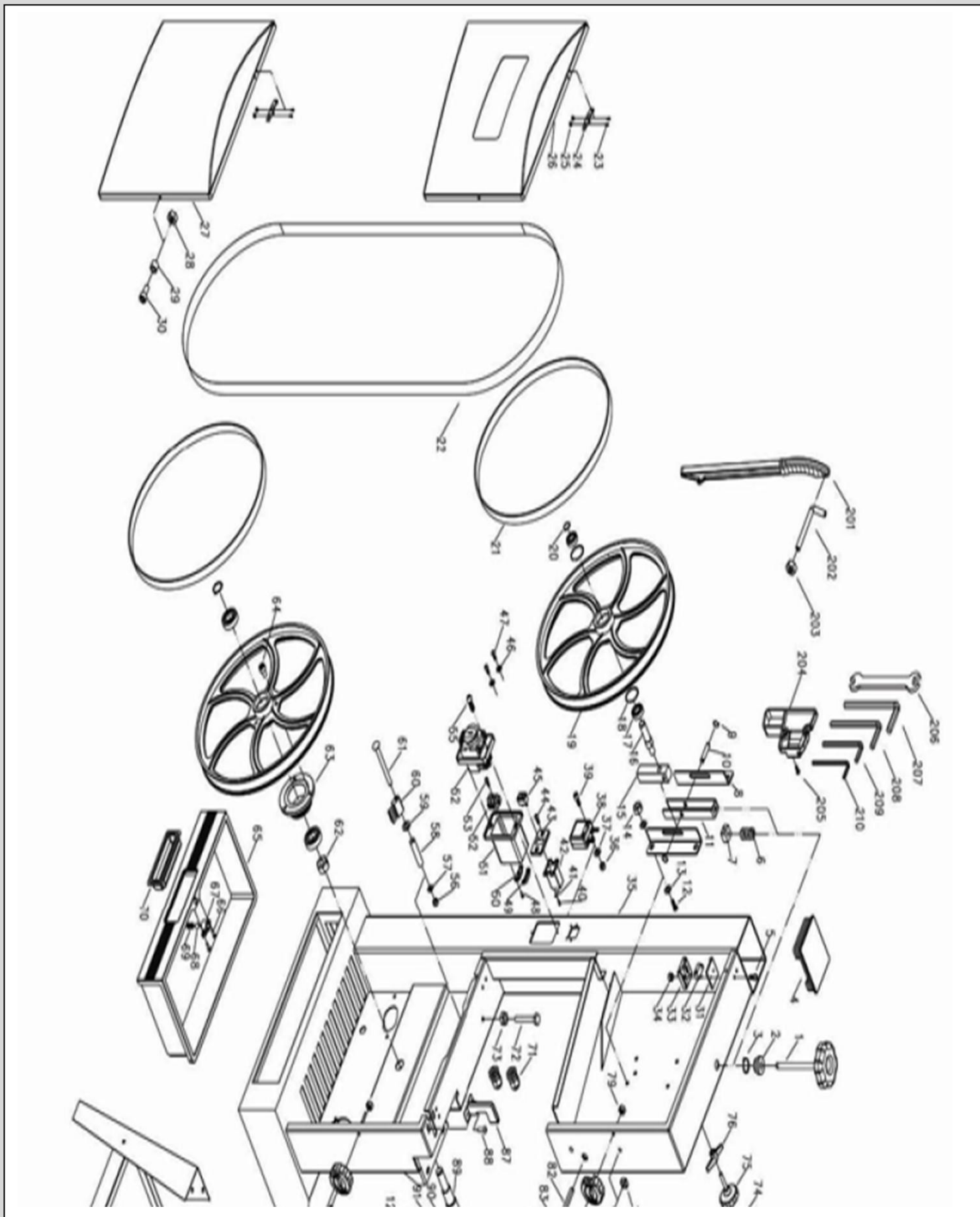
PARTS LIST

No.	Description	No.	Description
107	Bearing	134	4.2 x 13mm Cross Head Screw
108	Knob I	135	Dust Export
109	5 x 16mm Socket Head Screw	136	Dust Export Cover
110	5mm Flat Washer	137	3 x 22mm Pin
111	Bearing Pillar I	138	Line Cord
112	Bearing	139	Wire
113	6mm Hex Nut	140	Pipe
114	Bearing	141	Tension Knob
115	6 x 16mm Socket Head Screw	142	Insert
116	Square Nut	143	Working Table
117	Lower Guide Block	144	Knob Cover
118	Spacer Bush	145	Knob
119	Bearing	146	Plastic Washer
120	6 x 16mm Socket Head Screw	147	Miter Gauge
121	6 x 10mm Socket Head Screw	148	4 x 8mm Cross Head Screw
122	6mm Flat Washer	149	Pointer
123	6mm Hex Nut	150	Slide Bar
124	6 x 16mm Socket Head Screw	151	4 x 12mm Cross Head Screw
125	6 x 8mm Socket Set Screws	152	4mm Flat Washer
126	Motor Pulley	153	Pointer
127	Belt	154	8mm Locknut
128	6 x 10mm Set Screw	155	8mm Washer
129	Motor Connecting Plate	156	Angle Guide Plate
130	8mm Washer	157	Spacer Sleeve
131	8 x 12mm Socket Head Screw	158	Rotary Seat
132	5 x 25mm Key	159	Screw
133	Motor	160	6mm Flat Washer

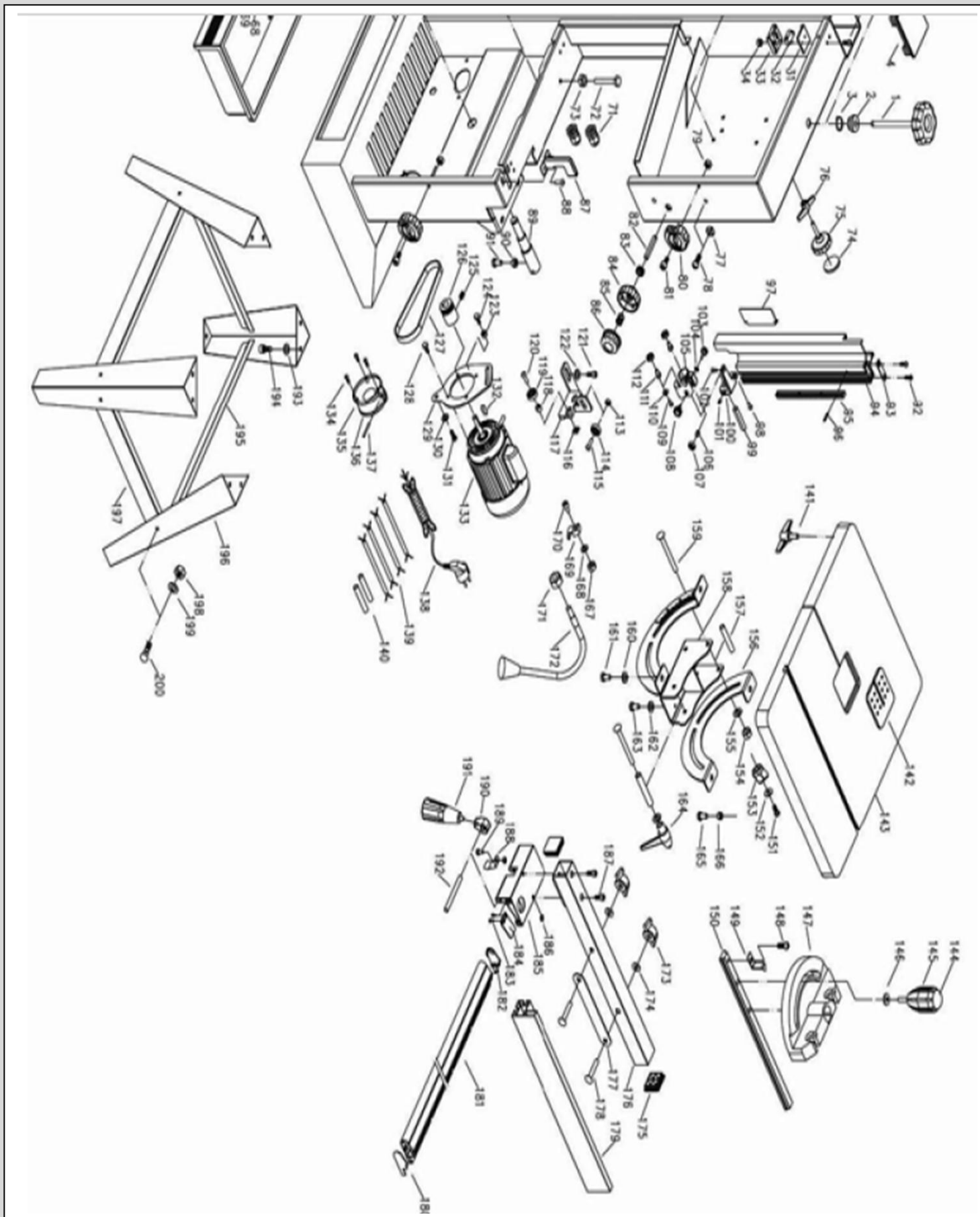
PARTS LIST

No.	Description	No.	Description
161	6 x 10mm Set Screw	187	5 x 10mm Socket Head Screw
162	6mm Flat Washer	188	Spring Leaf
163	6 x 10mm Set Screw	189	5 x 8mm Cross Head Screw
164	8mm Handle	190	Lock Block
165	6 x 25mm Set Screw	191	Locking Handle
166	6mm Hex Nut	192	Shaft
167	5mm Cap Nut	193	6mm Flat Washer
168	5mm Flat Washer	194	6 x 12mm Socket Head Screw
169	Cord Grip	195	Support Plate
170	5 x 12mm Socket Head Screw	196	Stand
171	10mm Hex Nut	197	Support Plate
172	LED Lamp	198	6mm Hex Nut
173	Turn-knob	199	6mm Flat Washer
174	6mm Flat Washer	200	6 x 12mm Head Square Bolt
175	Plug	201	Push Stick
176	Running Rule Square Pipe	202	Hook
177	Wafer	203	6mm Hex Nut
178	6 x 50 Head Square Bolt	204	Wrench Frame
179	Running Rule	205	4 x 10mm Cross Head Screw
180	Plug I	206	8-10mm Spanner
181	Running Rule Guide Rail	207	6mm Wrench
182	Plug II	208	5mm Wrench
183	2.9 x 9.5mm Cross Head Screw	209	4mm Wrench
184	Pointer	210	3mm Wrench
185	Running Rule Seat		
186	5mm Square Nut		
161	6 x 10mm Set Screw		

PARTS DIAGRAM PART 1



PARTS DIAGRAM PART 2



PARTS DIAGRAM FULL

