

ORIGINAL INSTRUCTIONS

TABLE OF CONTENTS

Welcome to Lumberjack!

Dear customer, Congratulations on your purchase. Before using the Product for the first time please be sure to read these instructions for use. They provide you with all information necessary for using the product safely and to ensure its long service life.

Closely observe all safety information in these instructions!

General Power Tool Safety Warnings.....	01
Symbols	04
Specifications	05
Assembly.....	06
Features & Set up	08
Operation & Maintenance.....	.11
Trouble shooting	16
Lumberjack Guarantee.....	17
Declaration of conformity.....	19
Parts list.....	20
Parts Diagram.....	22

GENERAL POWER TOOL SAFETY WARNINGS

WARNING Read all safety warnings and all instructions. Failure to follow the warnings and instructions may result in electric shock, fire and/or serious injury.

Save all warnings and instructions for future reference. The term "power tool" in the warnings refers to your electric power tool.

1. Work area safety

a) Keep work area clean and well lit. Cluttered or dark areas invite accidents.

b) Do not operate power tools in explosive atmospheres, such as in the presence of flammable liquids, gases or dust. Power tools create sparks which may ignite the dust or fumes.

c) Keep children and bystanders away while operating a power tool. Distractions can cause you to lose control.

2. Electrical safety

a) Power tool plugs must match the outlet. Never modify the plug in any way. Do not use any adapter plugs with grounded power tools. Unmodified plugs and matching outlets will reduce risk of electric shock.

b) Avoid body contact with grounded surfaces, such as pipes, radiators, ranges and refrigerators. There is an increased risk of electric shock if your body is grounded.

c) Do not expose power tools to rain or wet conditions. Water entering a power tool will increase the risk of electric shock.

d) Do not abuse the cord. Never use the cord for carrying, pulling or unplugging the power tool. Keep cord away from heat, oil, sharp edges or moving parts. Damaged or entangled cords increase the risk of electric shock.

e) When operating a power tool outdoors, use an extension cord suitable for outdoor use. Use of a cord suitable for outdoor use reduces the risk of electric shock.

f) If operating a power tool in a damp location is unavoidable, use a residual current device (RCD) protected supply. Use of an RCD reduces the risk of electric shock.

3. Personal safety

a) Stay alert, watch what you are doing and use common sense when operating a power tool. Do not use a power tool while you are tired or under the influence of drugs, alcohol or medication. A moment of inattention while operating power tools may result in serious personal injury.

b) Use personal protective equipment. Always wear eye protection. Protective equipment such as dust mask, non-skid safety shoes, hard hat, or hearing protection used for appropriate conditions will reduce personal injuries.

c) Prevent unintentional starting. Ensure the switch is in the off position before connecting to power source and/or battery pack, picking up or carrying the tool. Carrying power tools with your finger on the switch or energising power tools that have the switch on invites accidents.

d) Remove any adjusting key or wrench before turning the power tool on. A wrench or a key left attached to a rotating part of the power tool may result in personal injury.

GENERAL POWER TOOL SAFETY WARNINGS

e) Do not overreach. Keep proper footing and balance at all times. This enables better control of the power tool in unexpected situations.

f) Dress properly. Do not wear loose clothing or jewellery. Keep your hair, clothing and gloves away from moving parts. Loose clothes, jewellery or long hair can be caught in moving parts.

g) If devices are provided for the connection of dust extraction and collection facilities, ensure these are connected and properly used. Use of dust collection can reduce dust-related hazards.

4. Power tool use and care

a) Do not force the power tool. Use the correct power tool for your application. The correct power tool will do the job better and safer at the rate for which it was designed.

b) Do not use the power tool if the switch does not turn it on and off. Any power tool that cannot be controlled with the switch is dangerous and must be repaired.

c) Disconnect the plug from the power source and/or the battery pack from the power tool before making any adjustments, changing accessories, or storing power tools. Such preventive safety measures reduce the risk of starting the power tool accidentally.

d) Store idle power tools out of the reach of children and do not allow persons unfamiliar with the power tool or these instructions to operate the power tool. Power tools are dangerous in the hands of untrained users.

e) Maintain power tools. Check for misalignment or binding of moving parts, breakage of parts and any other condition that may affect the power tool's operation. If damaged, have the power tool repaired before use. Many accidents are caused by poorly maintained power tools.

f) Keep cutting tools sharp and clean. Properly maintained cutting tools with sharp cutting edges are less likely to bind and are easier

g) Use the power tool, accessories and tool bits etc. in accordance with these instructions, taking into account the working conditions and the work to be performed. Use of the power tool for operations different from those intended could result in a hazardous situation.

5. Service

a) Have your power tool serviced by a qualified repair person using only identical replacement parts. This will ensure that the safety of the power tool is maintained.

b) If the replacement of the supply cord is necessary, this has to be done by the manufacturer or its agent in order to avoid a safety hazard.

GENERAL POWER TOOL SAFETY WARNINGS

6. Additional Safety and working Instructions

6.1. Dust from materials such as lead-containing coatings, some wood types, minerals and metals can be harmful to one's health and cause allergic reactions, leading to respiratory infections and/or cancer. Materials containing asbestos may only be worked by specialists. Observe the relevant regulations in your country for the materials to be worked.

6.2. Prevent dust accumulation at the workplace. Dust can easily ignite.

7 Additional Safety Warning for Band Saws

7.1 Never stand on the power tool. Serious injuries can occur when the power tool tips over or when inadvertently coming into contact with the saw blade.

7.2 Never remove cutting remainders, wood chips, etc. from the sawing area while the machine is running.

7.3 Keep handles dry, clean and free from oil and grease. Greasy, oily handles are slippery causing loss of control.

7.4 Operate the power tool only when the work area to the work piece is clear of any adjusting tools, wood chips, etc. Small pieces of wood or other objects that come in contact with the rotating saw blade can strike the operator with high speed.

7.5 Keep the floor free of wood chips and material remainders. You could slip or trip.

7.6 Use the machine only for cutting the materials listed under Intended Use. Otherwise, the machine can be subject to overload.

7.7 Do not touch the saw blade after working before it has cooled. The saw blade becomes very hot while working.

7.8 Check the cable regularly and have a damaged cable repaired only through an authorised customer service agent. Replace damaged extension cables. This will ensure that the safety of the power tool is maintained.

7.9 Store the machine in a safe manner when not being used. The storage location must be dry and lockable. This prevents the machine from storage damage and from being operated by untrained persons.

GENERAL POWER TOOL SAFETY WARNINGS / SYMBOLS

7.10 Never leave the machine before it has come to a complete stop. Cutting tools that are still running can cause injuries.

7.11 Never use the machine with a damaged cable. Do not touch the damaged cable and pull the mains plug when the cable is damaged while working. Damaged cables increase the risk of an electric shock.



Read these instructions for use carefully.



Caution! Wear ear-muffs. The impact of noise can cause damage to hearing.

Caution! Wear safety goggles. Sparks generated during working or splinters, chips and dust emitted by the device can cause loss of sight.



Wear protective gloves.



Caution! Wear a breathing mask. Dust which is injurious to health can be generated when working on wood and other materials. Never use the device to work on any materials containing asbestos!



Caution! Risk of injury! Failure to keep your hands away from the blade will result in serious personal injury.



The machine must be disconnected from the supply before maintenance! Disconnect the mains plug prior to the repair, cleaning, and maintenance of the saw!



Keep children and bystanders off and away.

SPECIFICATION

Machine Details

Model Number	BS250
AC Motor	230-240V 50Hz, n_0 2982 min^{-1}
Power P (S1)	500W
Protection Category	IP 20
Safety Class	I
Throat Capacity	245 mm
Max. Cutting Height	115 mm @ 90° 65 mm @ 45°
Blade Wheel Dia.	255 mm
Blade Length	1712 mm
Blade Width:	3.5-12 mm
Cutting Speed	800 m/min
Table Size	302×304 mm
Table Tilt	90° - 45°
Weight	24 kg
Sound pressure level (LpA)	82.3 db(A)* $k=3$ db(A)
Sound power level (LwA)	94.4 db(A)* $k=3$ db(A)

* The noise was measured according to EN 61029-2-5:2011+A11.

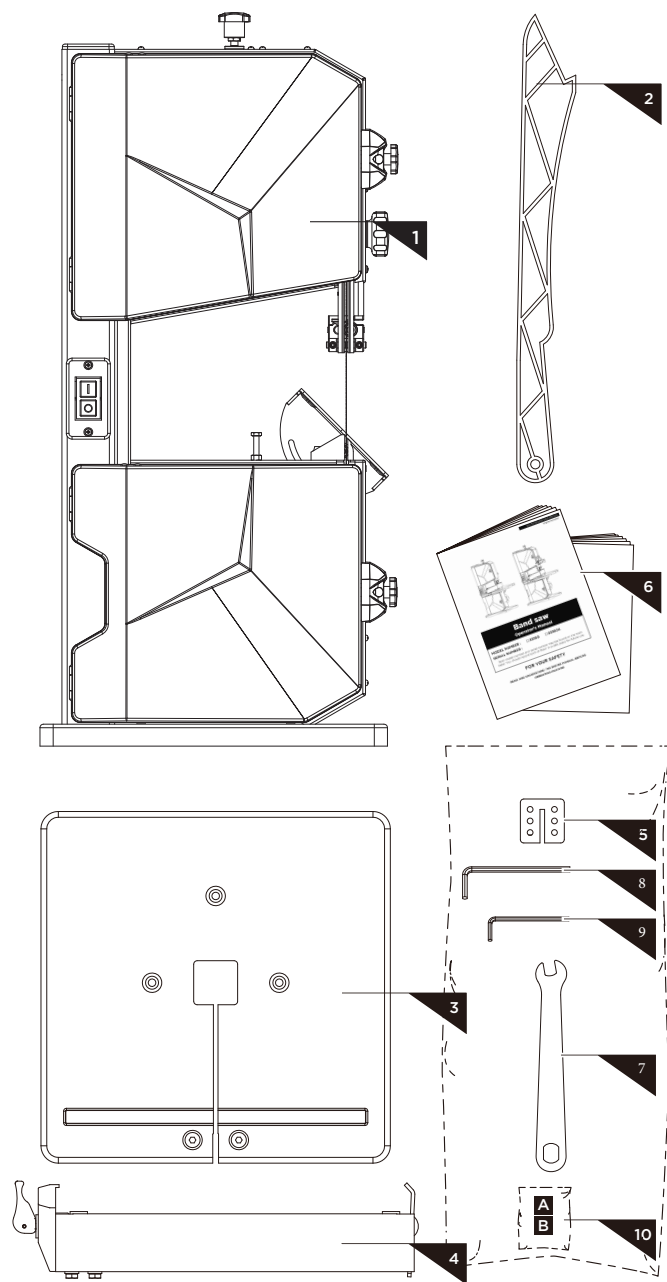
ENVIRONMENTAL



Recycle unwanted materials instead of disposing of them as waste. All tools, hoses and packaging should be resorted, taken to the local recycling center and disposed of in an environmentally safe way.

CONTENTS SUPPLIED

The bandsaw comes partially assembled and is shipped in carefully packed carton. After all the parts have been removed from the carton, you should have:



1. Main Machine
2. Push Stick
3. Work Table
4. Rip Fence
5. Table Insert
6. Operator's Manual
7. Blade Key
8. Allen Key, 4mm
9. Allen Key, 3mm
10. Hardware Bag

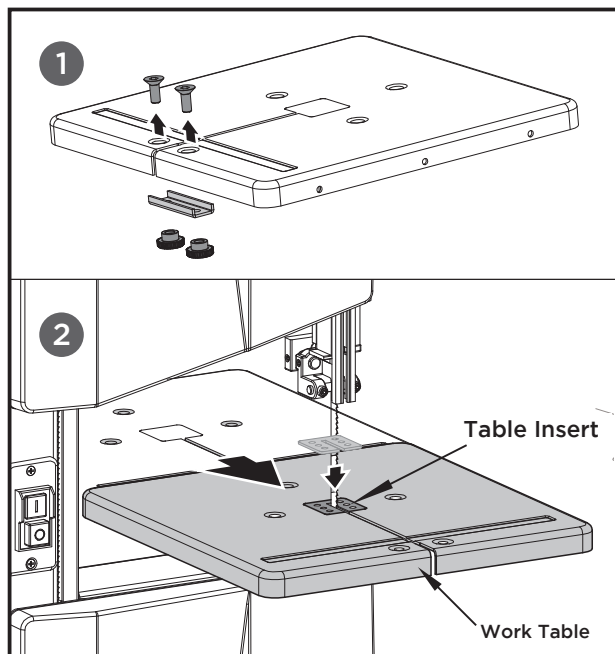
ASSEMBLY

ASSEMBLY

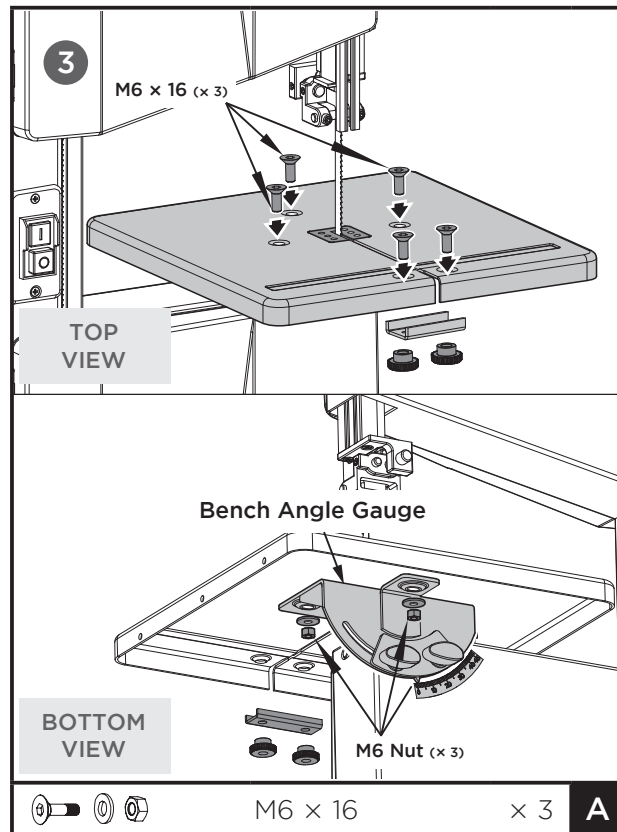
This bandsaw was partially assembled at the factory. To assemble your machine follow the below instructions.

Work Table

1. Remove the two screws, two knurled nuts and U shape block from the work table.
2. Guide work table over the blade and place it on the table trunnion. Position the table insert on the work table properly.
3. Attach the work table with three each screws M6x16 to the table trunnion.
4. Fasten the work table with three nuts M6 and three flat washers.
5. Attach two screws and two knurled nuts with U shape block that were removed in step one and fasten.

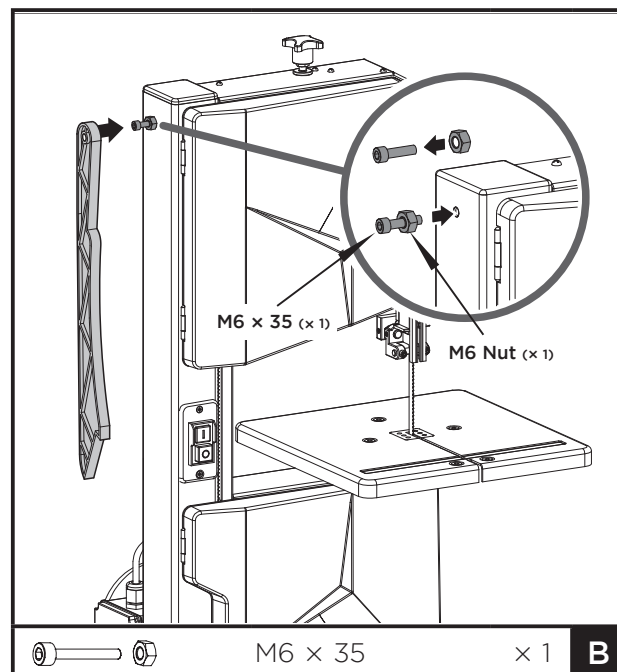


i **NOTE:** Before fastening the work table, make sure table be aligned in two planes. Laterally, in order for the blade to run dead centre through the table insert. At right angles to the blade.



Push Stick

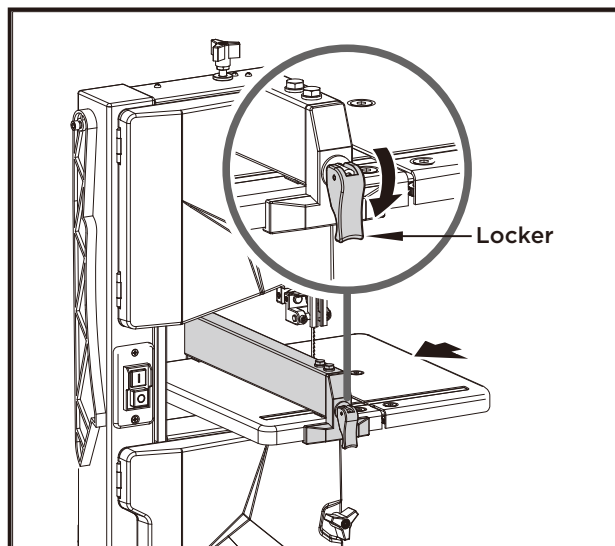
1. Fix the screw and nuts on the machine, leaving room for push stick.
2. Hang the push stick on the screw.



ASSEMBLY

Rip Fence

Clamp the rip fence. It can be used on both sides of blade.



FEATURES & SET UP

KNOW YOUR MACHINE

Features and Controls

Setting Knob for Blade Tension

Door Lock

Upper Housing Door

Setting Knob for Blade Guard

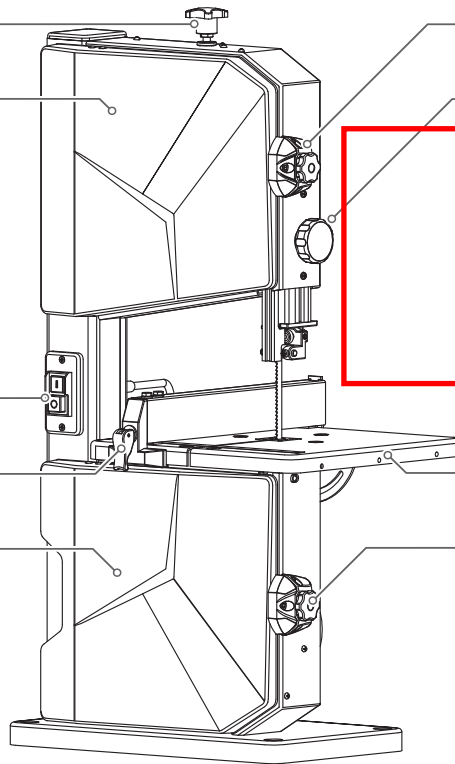
ON/OFF Switch

Rip Fence

Work Table

Lower Housing Door

Door Lock



Blade

Push Stick

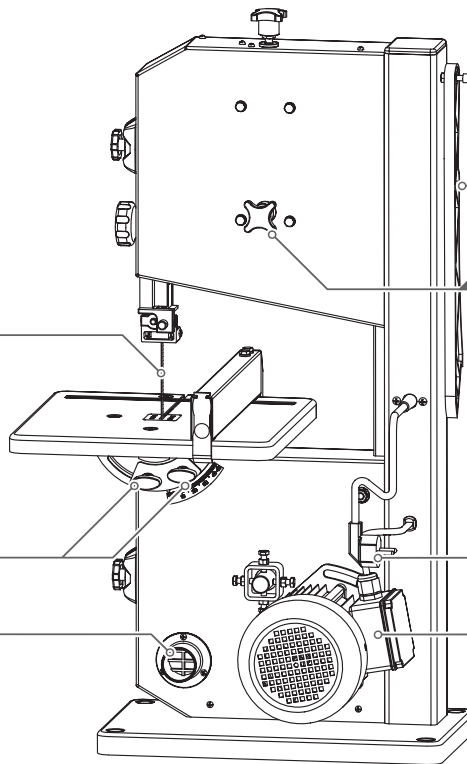
Setting Knob for Blade Tracking Adjustment

Setting Knob for Work Table

Power Cord and Plug

Suction Connector

Motor



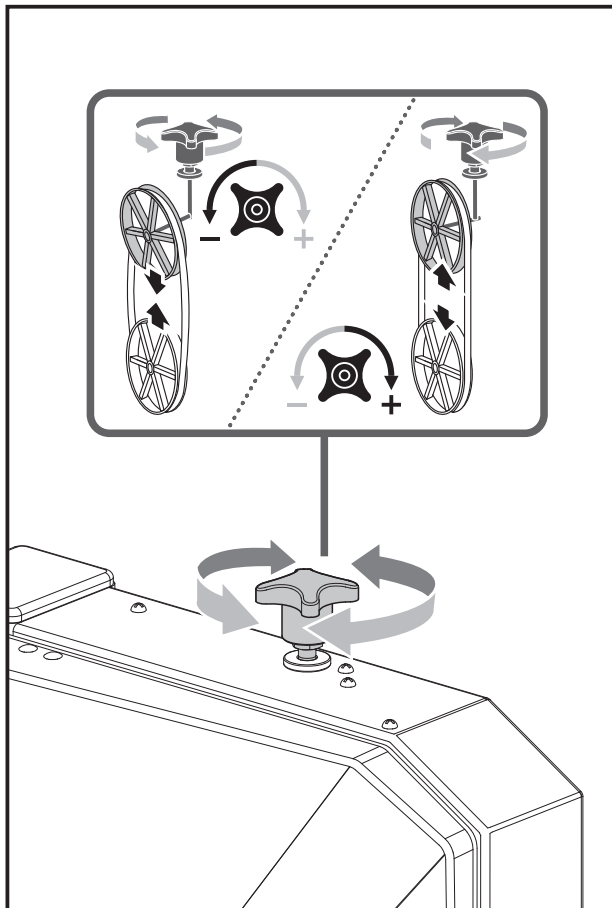
FEATURES & SET UP

Set Up

Adjusting the Blade Tension

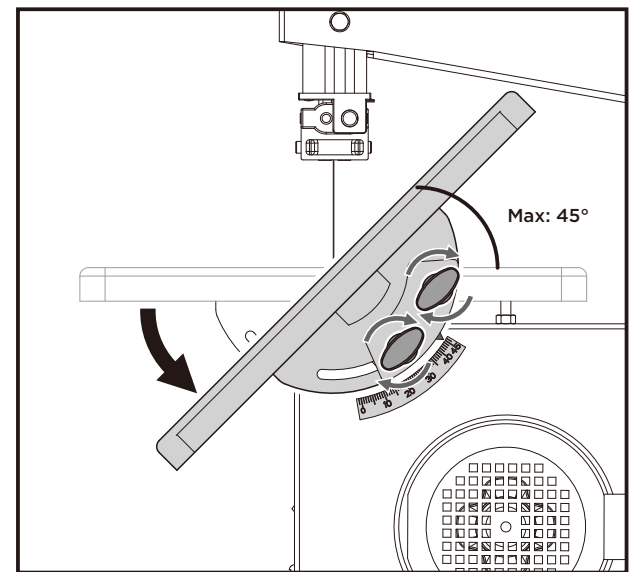
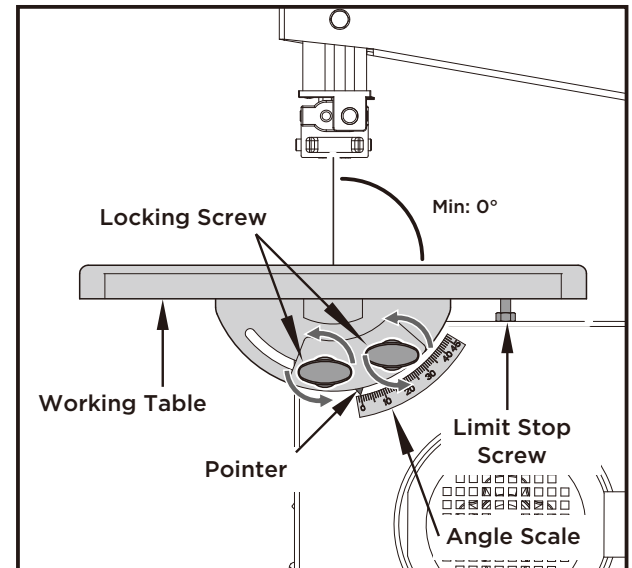
This tracking adjustment is required to have the blade run dead center on the rubber tyres of the band saw wheels:

- Turning the setting knob clockwise increases the blade tension.
- Turning the setting knob counter-clockwise reduces the blade tension.



Adjusting the Work Table Tilting

After loosening both locking screws, the work table tilts steplessly through 45° to the blade.



Work Table Alignment

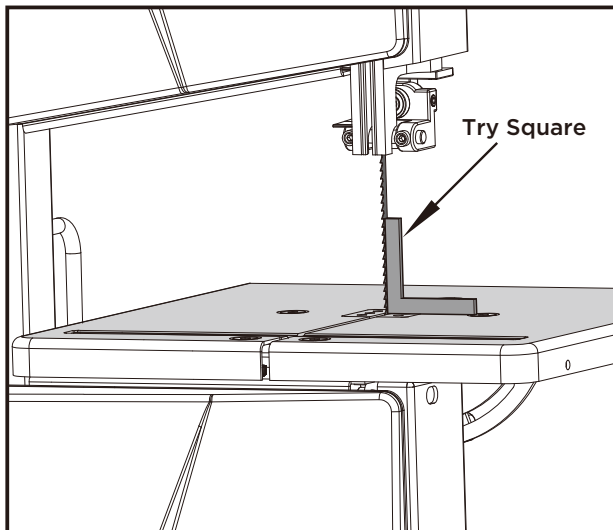
Saw Table Lateral Alignment

1. Loosen the three fastening screws that hold the lower table trunnion.
2. Align working table so that the blade runs through the centre of the table insert's slot.
3. Tighten the three fastening screws again.

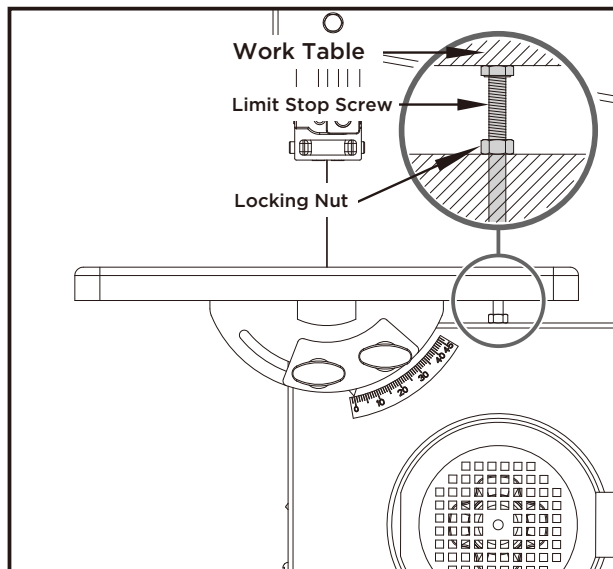
FEATURES & SET UP

Aligning the work table at right angles to the blade

1. Raise upper blade guide fully. Check band saw blade tension.



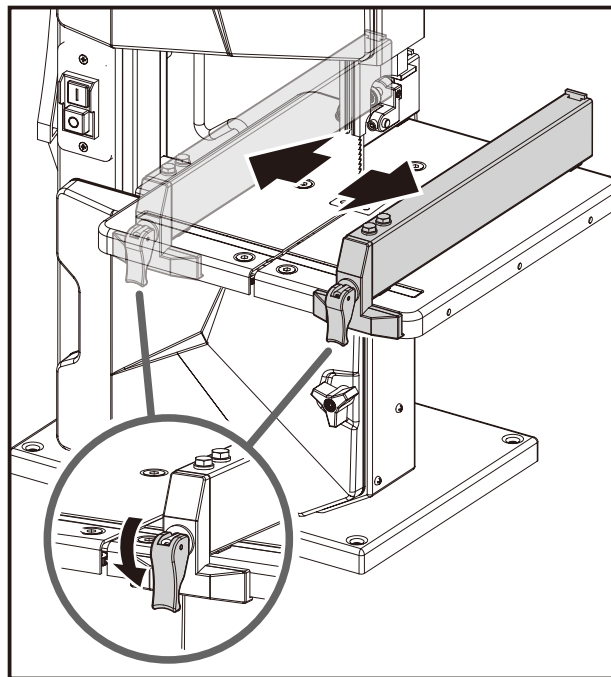
2. Loosen locking screws.
3. Using a try square, set the table at right angles to the blade and tighten the locking screws again.
4. Loosen locking nut and adjust limit stop screw until it touches the working table.



5. Tighten locking nut.

Setting Up the Rip Fence

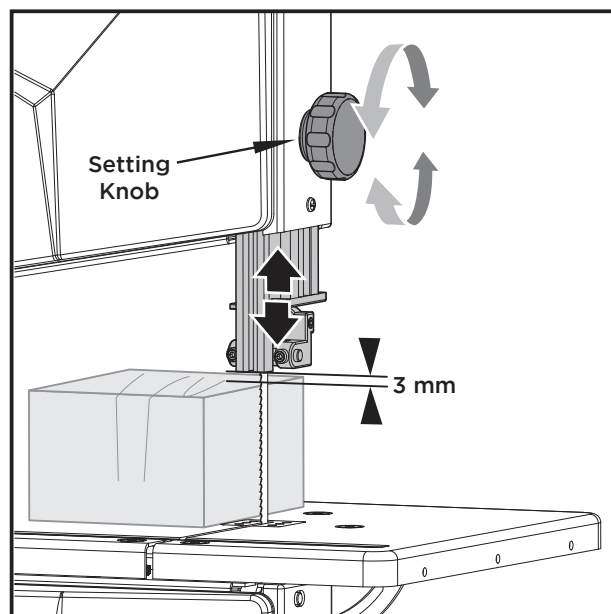
The rip fence is clamped to the front. It can be used on both sides of the blade.



Adjusting the Blade Guard

The blade guard protects against unintentional contact with the saw blade and from chips flying about. In order for the upper blade guard to provide adequate protection against contact with the band saw blade, it must always be set as close as possible against the workpiece (max. distance 3 mm).

Rotate the setting knob to adjust the blade guard in the right position.



OPERATION & MAINTENANCE AND SERVICE

Operation

Start the saw only after the following preparations are completed:

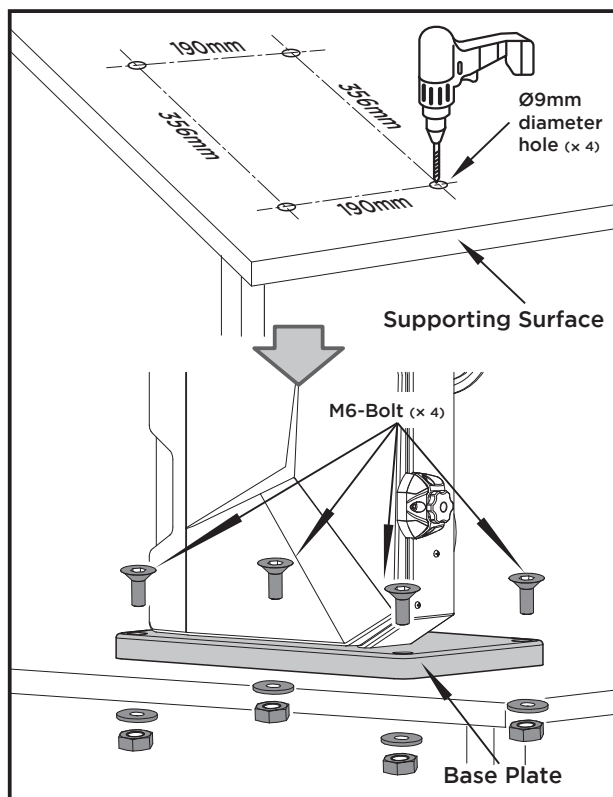
- *The saw is fastened;*
- *The saw table is installed and aligned;*
- *Safety devices have been checked.*



Connect the saw to the mains supply only after all of the above preparations are completed! Otherwise there is a risk of an unintentional starting of the saw, which can cause severe personal injury.

Mounting the saw in the stable and flat supporting surface

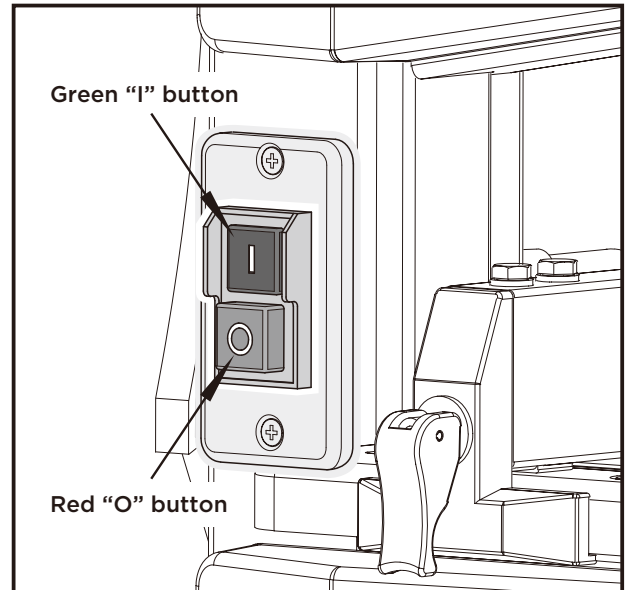
1. Drill 4 holes in the supporting surface.
2. Put fixing bolts through the base plate and secure with nuts.



ON/OFF Switch

The saw can be switched on by pressing the green pushbutton.

The red pushbutton has to be pressed to switch off the machine.



Sawing

1. If necessary, adjust the table tilt.
2. Select rip fence and table tilt for the type of cutting operation to be carried out.



Danger by jamming workpiece!
When using the rip fence with a tilted saw table, the rip fence must be installed on the lower side of the working table.

3. Set upper blade guide 3 mm above the workpiece.



Always make a trial cut in a piece of scrap to verify settings; correct if necessary before cutting the workpiece.

4. Place workpiece on the working table.
5. Plug in.
6. Start saw.
7. Cut workpiece in a single pass.
8. Switch off if no further cutting is to be done immediately afterwards.



Machine has suction connector, user can connect the machine to a proper suction unit when working.

OPERATION & MAINTENANCE AND SERVICE

MAINTENANCE



Warning! Prior to any adjustment, maintenance or service work disconnect the mains power plug!

General Maintenance Measures

Keep all safety devices, air vents and the motor housing free of dirt and dust as far as possible. Wipe the equipment with a clean cloth or blow it with compressed air at low pressure.

We recommend that you clean the device immediately each time you have finished using it.

Clean the equipment regularly with a damp cloth and some soft soap. Do not use cleaning agents or solvents; these could attack the plastic parts of the equipment. Ensure that no water can seep into the device. The ingress of water into an electric tool increases the risk of an electric shock.

In order to extend the service life of the tool, oil the rotary parts once monthly. Do not oil the motor.

Saw Blade Change

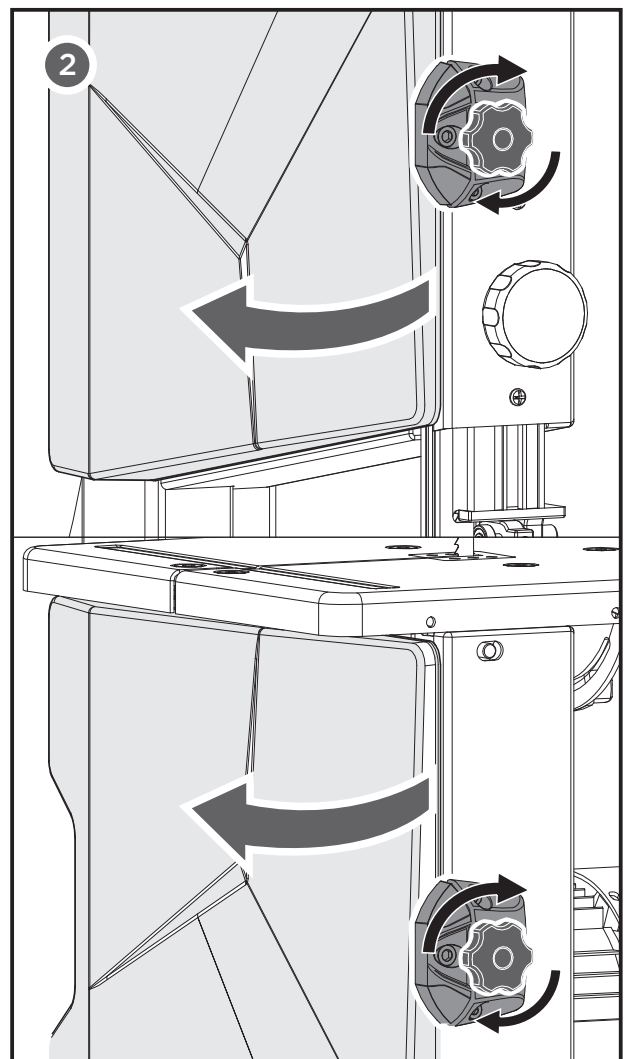
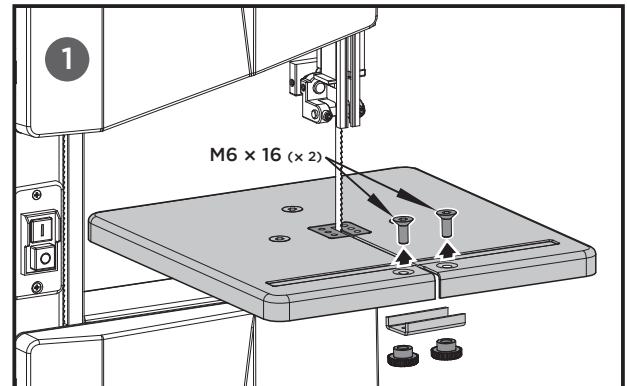


Danger! Risk of injury, even with the band saw blade at standstill. Wear gloves when changing blades.

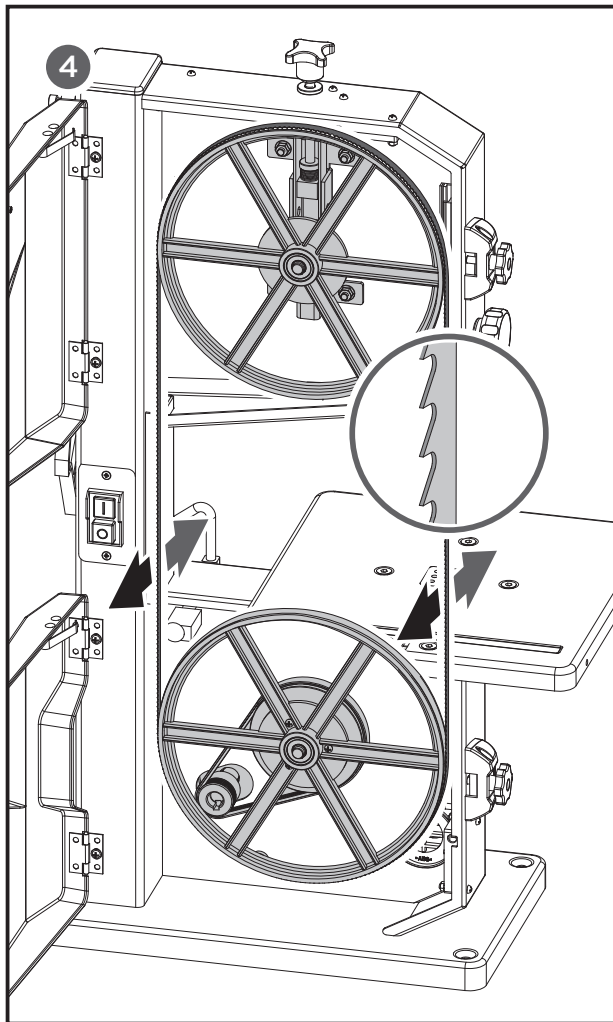
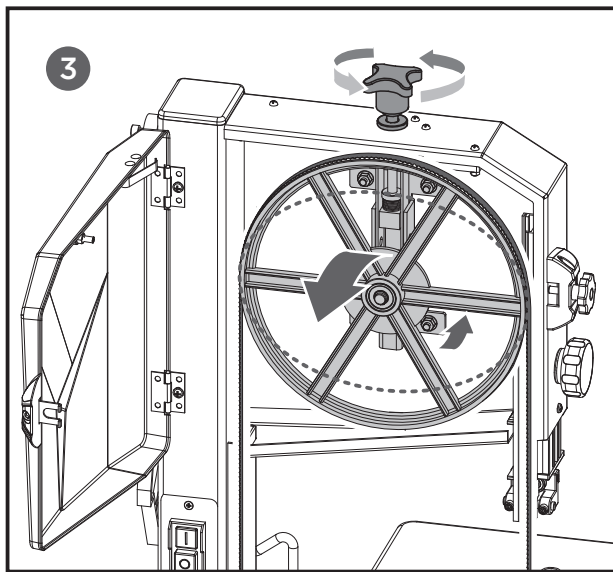
Use only suitable bandsaw blades.

1. Loosen the 2 knurled screws and remove the U shape blocker.
2. Open both housing doors.
3. Loosen setting knob until the band saw blade has slackened.
4. To remove the bandsaw blade, guide it through the slot in the working table.
5. Fit fresh bandsaw blade. Ensure correct position: the teeth must point towards the front of the saw (where the doors are).
6. Center bandsaw blade on the rubber tyres of the band saw wheels.

6. Tighten setting knob until blade does no longer slip off the band saw wheels.
7. Close both housing doors.
8. Tension band saw blade; Align band saw blade and align blade guides; let saw test run for at least one minute; Stop saw, unplug and recheck settings.



OPERATION & MAINTENANCE AND SERVICE

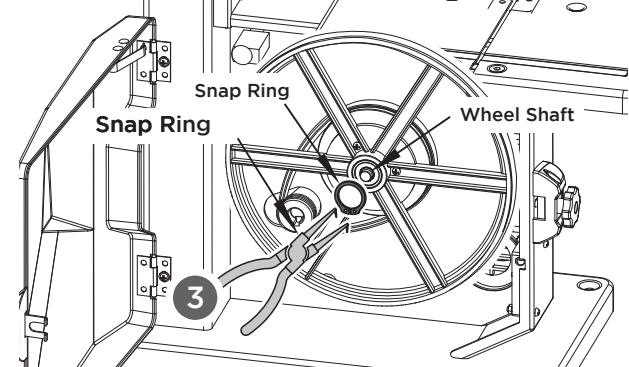
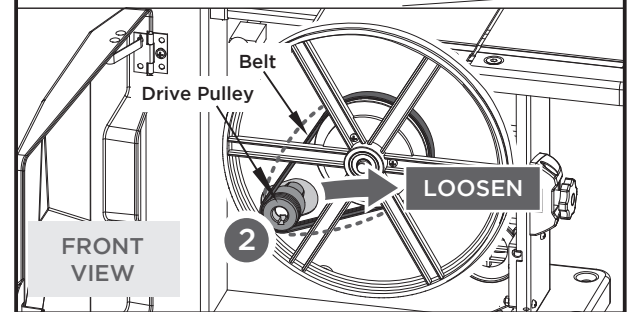
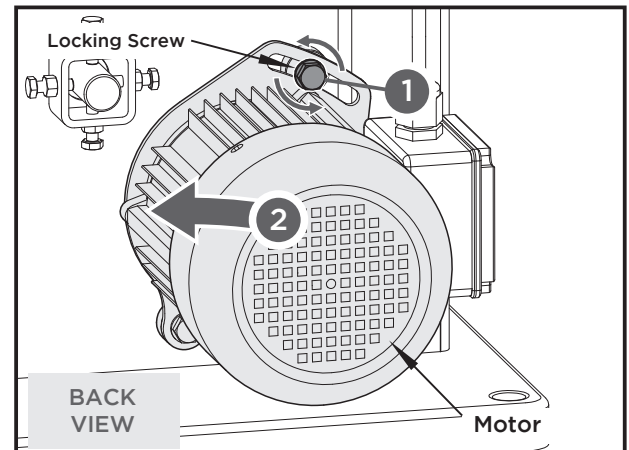


Drive Belt Change

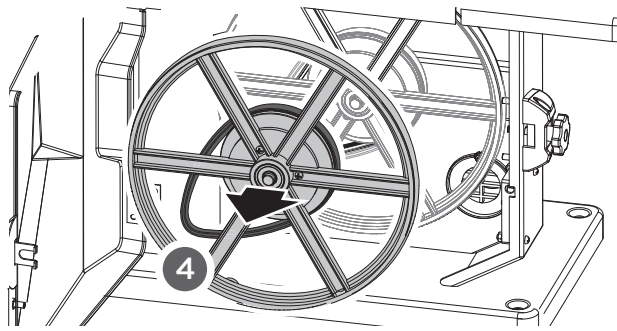


Warning! Disconnect machine from the power source! Never make adjustments with the machine running! Failure to comply may cause serious injury!

1. Unplug the machine from the power source.
2. Follow the steps of Saw Blade Change to remove the blade.
3. Loosen the upper locking screw that is fixing the motor. Rotate the motor to loosen the belt.
4. Slide the lower saw wheel with big pulley off the shaft which will dislodge the belt. Discard the old belt.



OPERATION & MAINTENANCE AND SERVICE

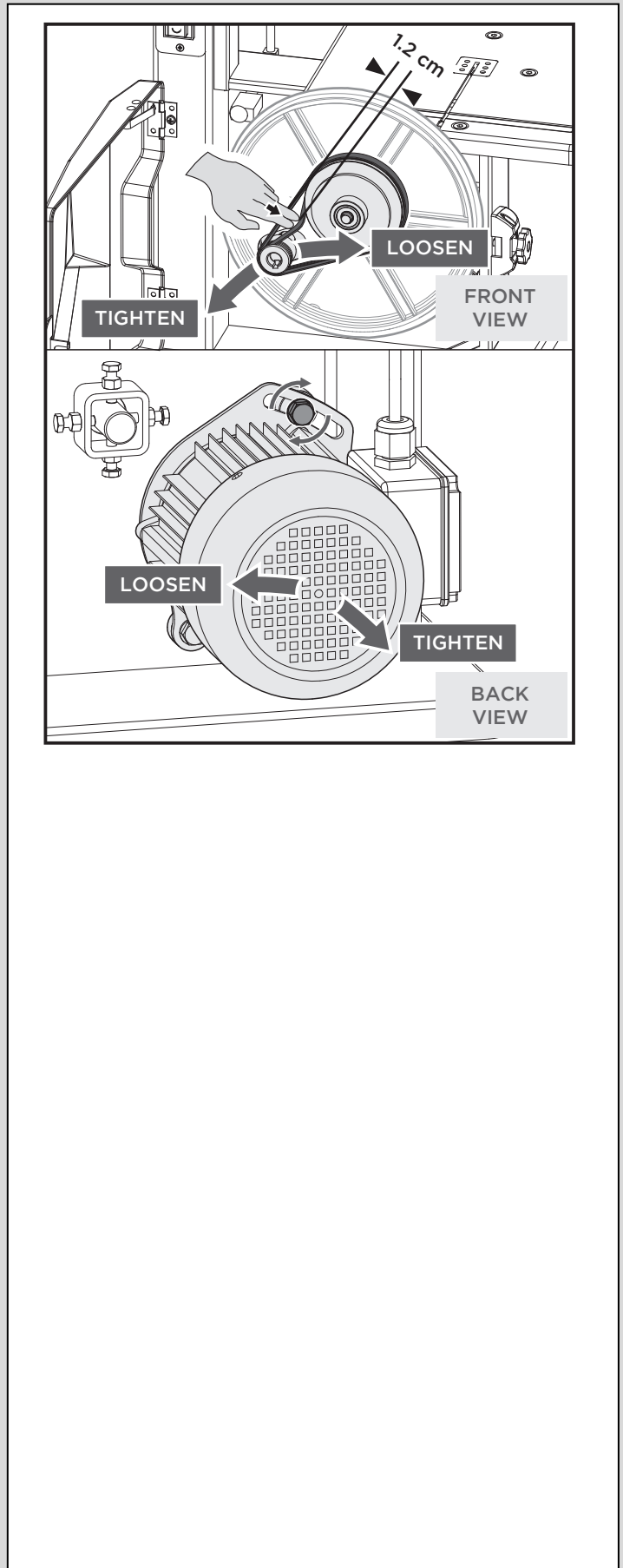


Warning! Disconnect machine from the power source! Never make adjustments with the machine running! Failure to comply may cause serious injury!

5. Place the new belt onto the big pulley.
6. Reinstall lower saw wheel with big pulley by sliding it back onto the shaft, then secure with the shaft circlip.
7. Place the new belt partially around the motor pulley to get it started, then turn the wheel by hand until the belt is completely seated on the motor pulley.
8. Push the motor down to add tension to the belt. The belt is properly tensioned when moderate finger pressure on the belt between the two pulleys causes a 1.2cm deflection.
9. Tighten the screw on the back of the cabinet that secures the motor.
10. Re-install the blade as described in Changing Blades section.

Adjusting Drive Belt Tension

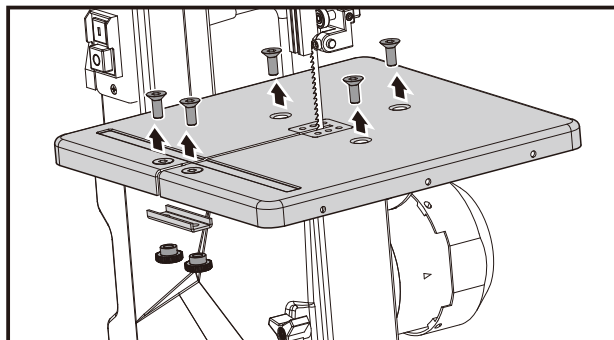
1. Unplug the machine from the power source.
2. Loosen the screw on the back of the cabinet that secures the motor.
3. Push the motor down to add tension to the belt. The belt is properly tensioned when moderate finger pressure on the belt between the two pulleys causes a 1.2cm deflection.
4. Tighten the screw that secures the motor.



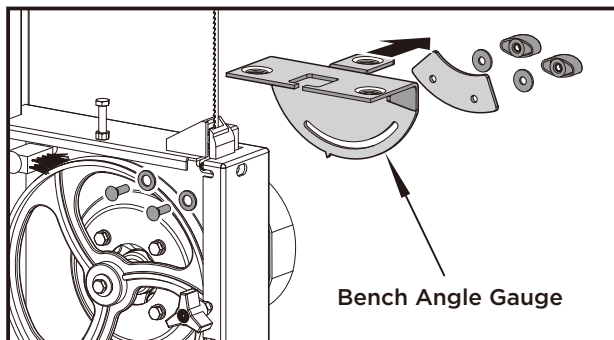
OPERATION & MAINTENANCE AND SERVICE

Thrust bearing adjustment

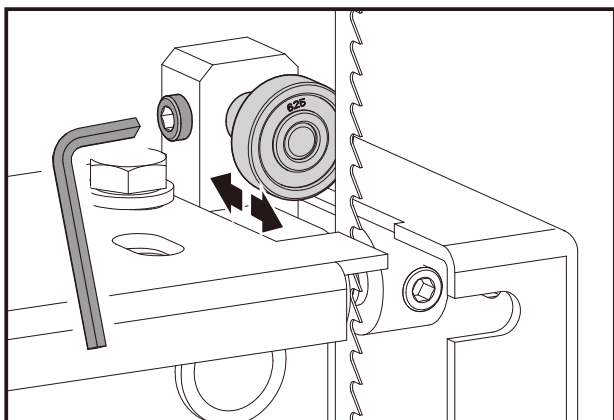
1. Loosen the two screws and remove the under blocks.
2. Loosen the three screws and Remove the working table from the table trunnion .



3. Loosen the two knobs and remove the bench angle gauge.
4. Open the lower housing door.



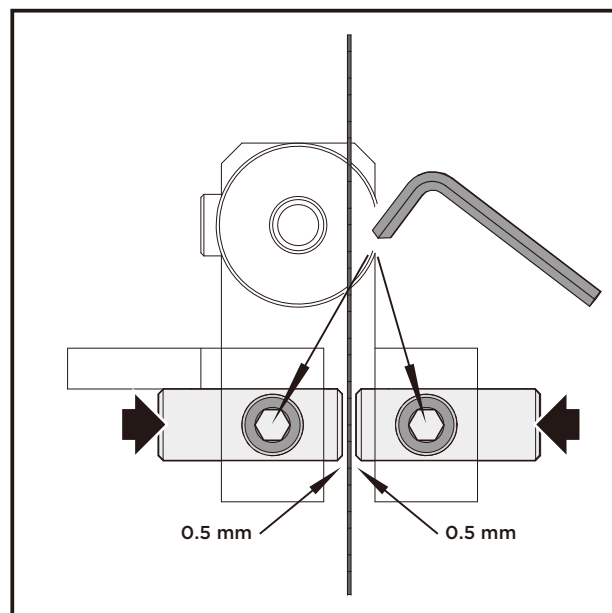
5. Raise upper blade guide fully.
6. If necessary, align and tighten the band saw blade.
7. Loosen the thrust bearing's locking screw.
8. Adjust thrust bearing position (distance thrust bearing - band saw blade = 0.5 mm - if the band saw blade is turned by hand, it shall not touch the thrust bearing).



9. Tighten the thrust bearing locking screw.

Guide pin adjustment

1. Loosen screws.
2. Press guide pins together, keep 0.5 mm distance between guide pin and the saw blade.

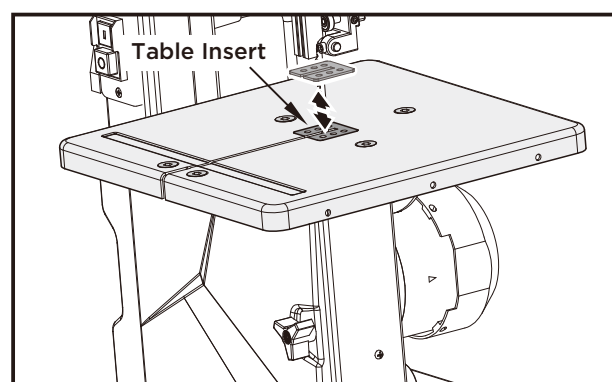


3. Tighten screws again.
4. Attach the working table to the table trunnion.
5. Fit the U shape under block to the working table.

Table Insert Replacement

The table insert needs replacement when its slot has become enlarged or damaged.

1. Remove table insert from saw table (push up from underneath).
2. Fit new table insert.



TROUBLE SHOOTING

Problem	Cause	Remedy
Motor does not work	<ol style="list-style-type: none"> 1. Motor, cable or plug defective, fuses burnt 2. Housing cover open (limit switch) 	<ol style="list-style-type: none"> 1. Arrange for inspection of the machine by a specialist. Never repair the motor yourself. Danger! Check fuses and replace as necessary 2. Close housing cover exactly
The motor starts up slowly and does not reach operating speed	Voltage too low, coils damaged, capacitor burnt	<p>Contact the utility provider to check the voltage</p> <p>Arrange for inspection of the motor by a specialist</p> <p>Arrange for replacement of the capacitor by a specialist</p>
Motor makes excessive noise	Coils damaged, motor defective	Arrange for inspection of the motor by a specialist
The motor does not reach its full power	Circuits in the network are overloaded (lamps, other motors, etc.)	Do not use any other equipment or motors on the same circuit
Motor overheats easily	Overloading of the motor, insufficient cooling of the motor	Avoid overloading the motor while cutting, remove dust from the motor in order to ensure optimal cooling of the motor
Saw cut is rough or wavy	Saw blade dull, tooth shape not appropriate for the material thickness	Resharpener saw blade and/or use suitable saw blade
Workpiece pulls away and/or splinters	Excessive cutting pressure and/or saw blade not suitable for use	Insert suitable saw blade
Saw blade is not running straight	<ol style="list-style-type: none"> 1. Guide has been wrongly set 2. Wrong saw blade 	<ol style="list-style-type: none"> 1. Set the saw blade guide according to the operating instructions 2. Select a saw blade according to the operating instructions
Burn marks appear on the wood during the cutting work	<ol style="list-style-type: none"> 1. Blunt saw blade 2. Wrong saw blade 	<ol style="list-style-type: none"> 1. Change the saw blade 2. Select a saw blade according to the operating instructions
Saw blade jams during cutting work	<ol style="list-style-type: none"> 1. Blunt saw blade 2. Deposits on the saw blade 3. Guide has been set poorly 	<ol style="list-style-type: none"> 1. Change the saw blade 2. Clean the saw blade 3. Set the saw blade guide according to the operating instructions

LUMBERJACK GUARANTEE

1. Guarantee

1.1 Lumberjack guarantees that for a period of 12 months from the date of purchase the components of qualifying products (see clauses 1.2.1 to 1.2.8) will be free from defects caused by faulty construction or manufacture

1.2 During this period, Lumberjack, will repair or replace free of charge any parts which are proved to be faulty in accordance with paragraph 1.1 providing that:

1.2.1 You follow the claims procedure set out in clause 2.

1.2.2 Lumberjack and its Authorised Dealers are given reasonable opportunity after receiving notice of the claim to examine the product.

1.2.3 If asked to do so by lumberjack or its Authorised Dealer, you return the product at your own cost to Lumberjack's or the supplying Authorised Dealer's Premises -

For the examination to take place clearly stating the Returns Material Authorisation Number given.

1.2.4 The fault in question is not caused by industrial use, accidental damage, fair wear and tear, wilful damage, neglect, incorrect electrical connection, misuse, alteration or repair of the product without approval.

1.2.5 The product has been used in a domestic environment only.

1.2.6 The fault does not relate to consumable items such as blades, bearings, drive belts or other wearing parts which can reasonably be expected to wear at different rates depending on usage.

1.2.7 The product has not been used for hire purposes.

1.2.8 The product has been purchased by you, as the guarantee is not transferable from a private sale.

LUMBERJACK GUARANTEE

2. Claims Procedure

2.1 In the first instance please contact the Authorised Dealer who supplied the product to you. In our experience many initial problems with machines that are thought to be fault due to faulty parts are actually solved by correct setting up or adjustment of the machine. A good Authorised Dealer should be able to resolve the majority of these issues much more quickly than processing a claim under the guarantee. If a return is requested by the Authorised Dealer or Lumberjack, you will be provided with a Returns Material Authorisation Number which must be clearly stated on the returned package, and any accompanying correspondence. Failure to provide a Returns Material Authorisation Number may result in item being refused delivery.

2.2 Any issues with the product resulting in a potential claim under the guarantee must be reported to the Authorised Dealer from which it was purchased within 48 hours of receipt.

2.3 If the authorised Dealer who supplied the product to you has been unable to satisfy your query, any claims made under this guarantee should be made directly to Lumberjack. The claim itself should be made in a letter setting out the date and place of purchase, giving a brief explanation of the problem which has led to the claim.

2.4 Please note that it is essential that the letter of claim reaches Lumberjack on the last day of this guarantee at the latest. Late claims will not be considered.

3. Limitation of Liability.

3.1 We only supply products for domestic and private use. You agree not to use the product for any commercial, business or resale purposes and we have no liability to you for any loss of profit, loss of business, business interruption or loss of business opportunity.

3.2 This guarantee does not confer any rights other than these expressly set out above and does not cover any claims for consequential loss or damage. This guarantee is offered as an extra benefit and does not affect your statutory rights as a consumer.

4. Notice

This guarantee applies to all product purchased from an Authorised Dealer of Lumberjack within the United Kingdom. Terms of guarantee may vary in other countries

We Importer:

TOOLSAVE LTD

Unit C, Manders Ind. Est.,
Old Heath Road, Wolverhampton,
WV1 2RP.

Declare that the product:

Designation: 10" Bench Top Bandsaw

Model: BS250

Complies with the following Directives:

Electromagnetic Compatibility Directive - **2004/108/EC**

Machine Directive - **2006/42/EC**

Restrictions of the use of Hazardous Substances in Electrical Equipment - **2011-65/EU**

Waste Electrical and Electronic Equipment - **2012/19/EU**

Standards & technical specifications referred to:

EN 61029-1:2009+A11 EN

61029-2-5:2011+A11

Authorized Technical File Holder: Bill Evans

19/06/2023

The Director



PARTS LIST

No.	Description	Q'ty
1	Lower Housing Door	1
2	Nut M5	2
3	Screw M5x25	2
4	Screw M4x8	6
5	Flat Washer 4	4
6	Upper Housing Door	1
7	Blade	1
8	Shalt Circlip 10	2
9	Bearing 6000-2Z	4
10	Band Saw Wheel-Upper	1
11	Rubber Tyre	2
12	Upper Pulley Shaft	1
13	Shaft Circlip 8	2
14	Horizontal Shaft	1
15	Upper Wheel Shaft Seat	1
16	Thin Nut M10	1
17	U Shaped Bracket	1
18	Central Spindle	1
19	Wing Spring	9
20	Guide Plate Assembly	1
21	Nut M6	4
22	ON/OFF Switch	1
23	Screw M4x12	2
24	Switch Plate	1
25	Cable Sheath	1
26	Screw M4x10	7
27	Cable Pressing Plate	1
28	Cable Fixing Plate	1
29	Spring Washer 4	5
30	Lock Washer 4	10
31	Screw M5x10	4
32	Screw M4x16	3
33	Band Saw Wheel-Lower	1
34	Pulley-Lower	1
35	Belt	1

No.	Description	Q'ty
36	Nut M14x1.5	1
37	Spring Washer 14	1
38	Bolt M8x70	1
39	Brush	1
40	Bushing	1
41	Nut M8	1
42	Screw M6x35	1
43	Push Stick	1
44	Nut M6	15
45	Column Plug	1
46	Nut M8	1
47	Thin Nut M8	1
48	Adjusting Rod	1
49	Support Bushing	1
50	Screw M4x25	4
51	Flat Washer 6	14
52	Bolt M6x16	14
53	Cable Clip	4
54	Nut M4	11
55	Microswitch Box Cover	2
56	Microswitch	2
57	Microswitch Box	2
58	Power Cord Buckle	2
59	Knob Bolt M8x25	1
60	Nut M8	1
61	Big Flat Washer 8	1
62	Screw ST4.2x13	2
63	Guide Block	2
64	Plug & Power Cord	1
65	Bolt M6x20	2
66	Flat Washer 8	29
67	Bolt M6x16	3
68	Big Flat Washer 6	5
69	Bench Angle Gauge	1
70	Lock Plate	1

PARTS LIST

No.	Description	Q'ty
71	Lock Knob	2
72	Bolt M6×35	1
73	Locknut M6	6
74	Blade Guard	1
75	Motor Pulley	1
76	Screw M6×6	8
77	Spring Washer 6	4
78	Motor Connecting Plate	1
79	Flat Key 5×25	1
80	Bolt M8×20	2
81	Motor	1
82	Bearing 625-2Z	2
83	Bearing Shaft	2
84	Lower Guide Pin	2
85	Lower Blade Guide	1
86	Screw ST3.5×9.5	2
87	Top cover plate for Upper Blade Guard	1
88	Rack	1
89	Upper Blade Guard	1
90	Sliding Plate	1
91	Pin 2.5×12	1
92	Gear	1
93	Gear Shaft	1
94	Adjusting Knob Seat	1
95	Locknut M8	1
96	Adjusting Knob Cover	1
97	Upper Blade Guide	1
98	Upper Guide Pin	2
99	Fixing Rod	1
100	Screw M6×12	1
101	Screw ST4.2×13	2
102	Upper Blade Guide Seat	1
103	Locknut	2
104	U Shaped Blocker	1
105	Work Table	1

No.	Description	Q'ty
106	Bolt M6×20	2
107	Table Insert	1
108	Machine Body Weldment	1
109	Rip Fence Locker	1
110	Pin 3×16	1
111	Connecting Bushing	1
112	Flat Washer 10	1
113	Rip Fence Holder	1
114	Stop Block	1
115	Clamping Block	2
116	Bolt M6×10	4
117	Rip Fence	1
118	Rip Fence Spring	1
119	Clamping Press Plate	1
120	Clamping Screw Rod	1
121	Cable Gland Strain Relief Connector	1
122	Lower Pulley Shaft	1
123	Bolt M6×20	4
124	Suction Connector	1
125	Lock Washer 5	3
126	Hood	2
127	Upper Microswitch Cable	1
128	Lower Microswitch Cable	1
129	End Wire Connector	2
130	Screw M6×20	2
131	Insertor Seat	2
132	Insertor	2
133	Subplate	2
134	Self-plugging Rivet 4×8	4
135	Leaf-spring	2
136	Knob Bolt M6×32	2
137	Fixing Seat of Door Locker	2
138	Screw M5×16	4
139	Insertor	2
140	Locknut M5	4

PARTS DIAGRAM

