



ORIGINAL INSTRUCTIONS



TABLE OF CONTENTS

Welcome to Lumberjack!

Dear customer, Congratulations on your purchase. Before using the product for the first time please be sure to read these instructions for use.

They provide you with all information necessary for using the product safely and to ensure its long service life.

Closely observe all safety information in these instructions!

General Power Tool Safety Warnings.....	01
Symbols & Cable Rating Chart	05
Machine Details and Product Features.....	06
Assembly.....	08
Operation.....	14
Maintenance and Service.....	15
Lumberjack Guarantee.....	17
Declaration of Conformity.....	19
Parts List.....	20
Parts Diagram.....	24

GENERAL POWER TOOL SAFETY WARNINGS

WARNING Read all safety warnings and all instructions. Failure to follow the warnings and instructions may result in electric shock, fire and/or serious injury.

Save all warnings and instructions for future reference. The term "power tool" in the warnings refers to your electric (corded) power tool or battery-operated (cordless) power tool.

1. Work area safety

a) Keep work area clean and well lit. Cluttered or dark areas invite accidents.

b) Do not operate power tools in explosive atmospheres, such as in the presence of flammable liquids, gases or dust. Power tools create sparks which may ignite the dust or fumes.

c) Keep children and bystanders away while operating a power tool. Distractions can cause you to lose control.

2. Electrical safety

a) Power tool plugs must match the outlet. Never modify the plug in any way. Do not use any adapter plugs with grounded power tools. Unmodified plugs and matching outlets will reduce risk of electric shock.

b) Avoid body contact with grounded surfaces, such as pipes, radiators, ranges and refrigerators. There is an increased risk of electric shock if your body is grounded.

c) Do not expose power tools to rain or wet conditions. Water entering a power tool will increase the risk of electric shock.

d) Do not abuse the cord. Never use the cord for carrying, pulling or unplugging the power tool. Keep cord away from heat, oil, sharp edges or moving parts. Damaged or entangled cords increase the risk of electric shock.

e) When operating a power tool outdoors, use an extension cord suitable for outdoor use. Use of a cord suitable for outdoor use reduces the risk of electric shock.

f) If operating a power tool in a damp location is unavoidable, use a residual current device (RCD) protected supply. Use of an RCD reduces the risk of electric shock.

3. Personal safety

a) Stay alert, watch what you are doing and use common sense when operating a power tool. Do not use a power tool while you are tired or under the influence of drugs, alcohol or medication. A moment of inattention while operating power tools may result in serious personal injury.

b) Use personal protective equipment. Always wear eye protection. Protective equipment such as dust mask, non-skid safety shoes, hard hat, or hearing protection used for appropriate conditions will reduce personal injuries.

c) Prevent unintentional starting. Ensure the switch is in the off position before connecting to power source and/or battery pack, picking up or carrying the tool. Carrying power tools with your finger on the switch or energising power tools that have the switch on invites accidents.

d) Remove any adjusting key or wrench before turning the power tool on. A wrench or a key left attached to a rotating part of the power tool may result in personal injury.

GENERAL POWER TOOL SAFETY WARNINGS

e) Do not overreach. Keep proper footing and balance at all times. This enables better control of the power tool in unexpected situations.

f) Dress properly. Do not wear loose clothing or jewellery. Keep your hair, clothing and gloves away from moving parts. Loose clothes, jewellery or long hair can be caught in moving parts.

g) If devices are provided for the connection of dust extraction and collection facilities, ensure these are connected and properly used. Use of dust collection can reduce dust-related hazards.

4. Power tool use and care

a) Do not force the power tool. Use the correct power tool for your application. The correct power tool will do the job better and safer at the rate for which it was designed.

b) Do not use the power tool if the switch does not turn it on and off. Any power tool that cannot be controlled with the switch is dangerous and must be repaired.

c) Disconnect the plug from the power source and/or the battery pack from the power tool before making any adjustments, changing accessories, or storing power tools. Such preventive safety measures reduce the risk of starting the power tool accidentally.

d) Store idle power tools out of the reach of children and do not allow persons unfamiliar with the power tool or these instructions to operate the power tool. Power tools are dangerous in the hands of untrained users.

e) Maintain power tools. Check for misalignment or binding of moving parts, breakage of parts and any other condition that may affect the power tool's operation. If damaged, have the power tool repaired before use. Many accidents are caused by poorly maintained power tools.

f) Keep cutting tools sharp and clean. Properly maintained cutting tools with sharp cutting edges are less likely to bind and are easier to control.

g) Use the power tool, accessories and tool bits etc. in accordance with these instructions, taking into account the working conditions and the work to be performed. Use of the power tool for operations different from those intended could result in a hazardous situation.

5. Service

a) Have your power tool serviced by a qualified repair person using only identical replacement parts. This will ensure that the safety of the power tool is maintained.

b) If the replacement of the supply cord is necessary, this has to be done by the manufacturer or its agent in order to avoid a safety hazard.

6. Battery Tool Use and Care

a) Recharge only with the charger specified by the manufacturer. A charger that is suitable for one type of battery pack may create a risk of fire when used with another battery pack.

b) Use power tools only with specifically designated battery packs. Use of any other battery packs may create a risk of injury or fire.

GENERAL POWER TOOL SAFETY WARNINGS

c) When Battery pack is not in use, keep it away from other metal objects, like paper clips, coins, keys, nails, screws or other small metal object that can make a connection from one terminal to another. Shorting the battery terminals together may cause burns or a fire.

d) User abusive conditions, liquid may be ejected from the battery; Avoid contact. If contact accidentally occurs, flush with copious amounts of water. If liquid contacts eyes, seek medical help immediately. Liquid ejected from the batter may cause irritation or burns.

7 Additional Safety and Working Instructions

a) Dusts from materials such as lead-containing coatings, some wood types, minerals and metals can be harmful to one's health and cause allergic reactions, leading to respiratory infections and/or cancer. Materials containing asbestos may only be worked by specialists. Observe the relevant regulations in your country for the materials to be worked.

b) Prevent dust accumulation at the workplace. Dusts can easily ignite.

8 Additional Safety Warning for Band Saws

a) Never stand on the power tool. Serious injuries can occur when the power tool tips over or when inadvertently coming into contact with the saw blade.

b) Never remove cutting remainders, wood chips, etc. from the sawing area while the machine is running.

c) Keep handles dry, clean, and free from oil and grease. Greasy, oily handles are slippery causing loss of control.

d) Operate the power tool only when the work area to the work piece is clear of any adjusting tools, wood chips, etc. Small pieces of wood or other objects that come in contact with the rotating saw blade can strike the operator with high speed.

e) Keep the floor free of wood chips and material remainders. You could slip or trip.

f) Use the machine only for cutting the materials listed under Intended Use. Otherwise, the machine can be subject to overload.

g) Do not touch the saw blade after working before it has cooled. The saw blade becomes very hot while working.

h) Check the cable regularly and have a damaged cable repaired only through an authorised customer service agent. Replace damaged extension cables. This will ensure that the safety of the power tool is maintained.

i) Store the machine in a safe manner when not being used. The storage location must be dry and lockable. This prevents the machine from storage damage, and from being operated by untrained persons.

j) Never leave the machine before it has come to a complete stop. Cutting tools that are still running can cause injuries.

k) Never use the machine with a damaged cable. Do not touch the damaged cable and pull the mains plug when the cable is damaged while working. Damaged cables increase the risk of an electric shock.

GENERAL POWER TOOL SAFETY WARNINGS

10. Using an Extension Cable.

a) If an extension cable is required, use an approved triple core extension cable suitable for the power input of the tool.

b) Grounded tools always require a three wire extension cable.

c) As the distance from the supply outlet increases you must use a heavier gauge extension cable. Using extension cables with inadequately sized wire causes a serious drop in voltage, resulting in loss of power and possible tool damage.

d) The smaller the gauge number of the wire the greater the capacity of the cord.

e) When using a cable reel, always unwind the cable completely.

SYMBOLS AND POWER RATING CHART



Danger! – Read the operating instructions to reduce the risk of injury.



Caution! Wear safety goggles.



Caution! Wear ear defenders. The impact of noise can cause damage to hearing.



Caution! Risk of Injury! Do not reach into the running saw blade.



Caution! Wear a dust mask.

MACHINE DETAILS AND PRODUCT FEATURES

Machine Details

Specifications:

Mains Voltage -	230V / 50Hz
Power Consumption -	300W
Blade Spec –	1575mm X 3-10mm
Cutting Capacity -	90mm
Throat Width -	228mm
Cutting Speed -	635m/min
Gross Weight -	23kg
Nett Weight -	20kg

Package Contents:

Band Saw
Mitre Gauge
Push Stick
Rip Fence

Intended Use

The power tool is intended as a stationary machine for making straight lengthways and crossways cuts in wood.

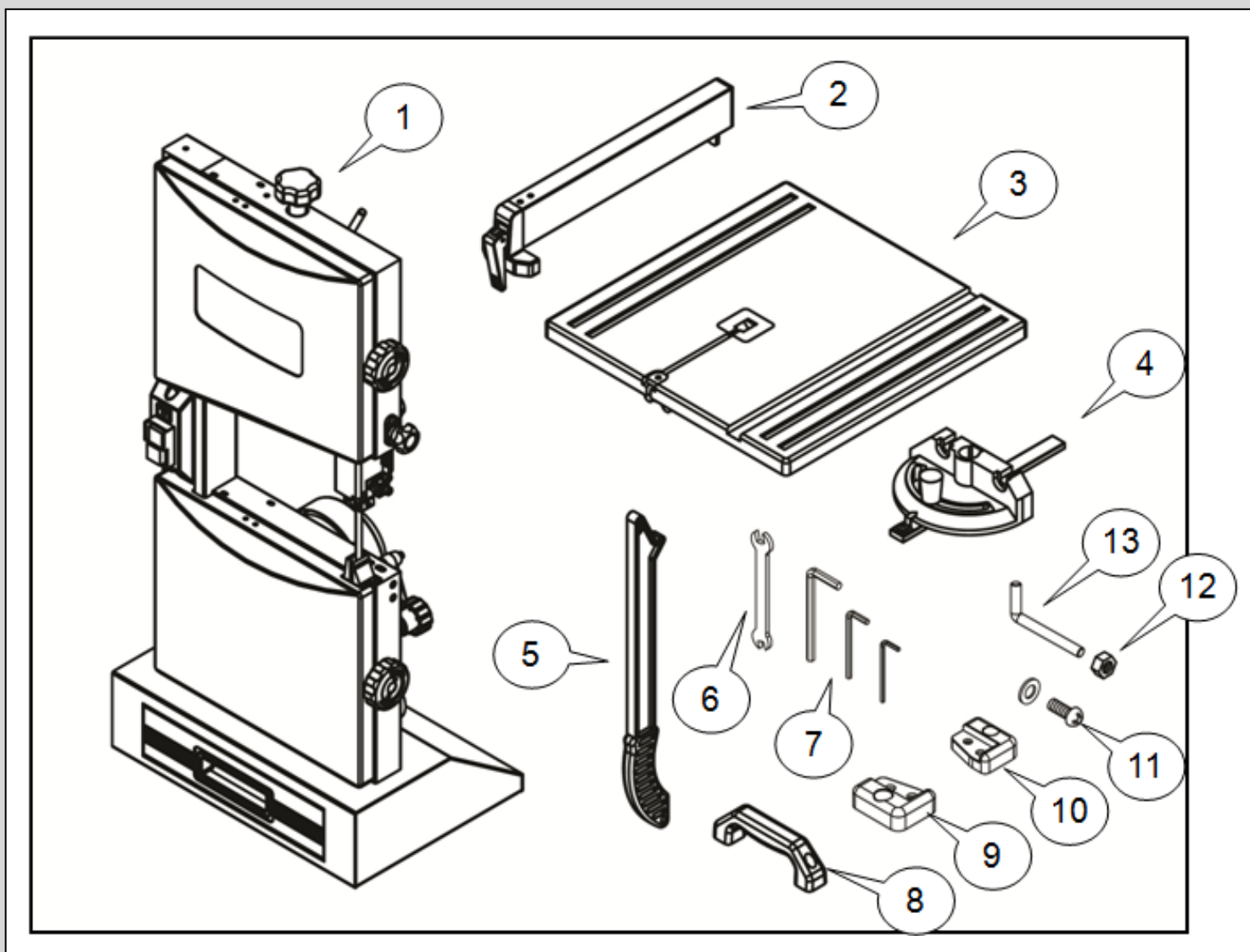
The capacity of the power tool is designed for sawing hardwood and softwood.

The power tool is not suitable for cutting aluminium or other non-ferrous metals or alloys.

Product Features

1. Band Saw
2. Fence
3. Table assembly
4. Mitre gauge
5. Push stick
6. 8-10mm wrench
7. Hex wrench(2.5mm, 4mm, 6mm)
8. Lifting handle
9. Foot A
10. Foot B
11. Pan head screw and washer
12. M6 hex nut
13. Hook

MACHINE DETAILS AND PRODUCT FEATURES



ASSEMBLY INSTRUCTIONS

Assembly

Avoid unintentional starting of the machine. During assembly and for all work on the machine, the power plug must not be connected to the mains supply.

Carefully remove all parts included in the delivery from their packaging.

Remove all packaging material from the machine and the accessories provided.

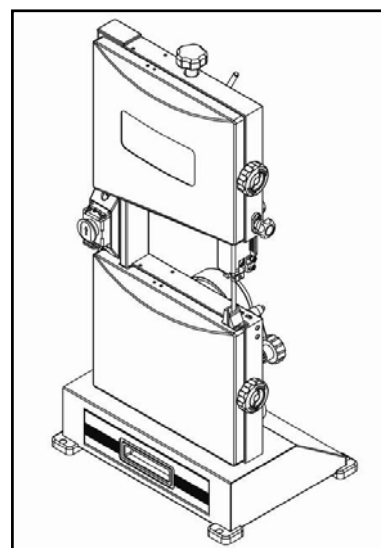
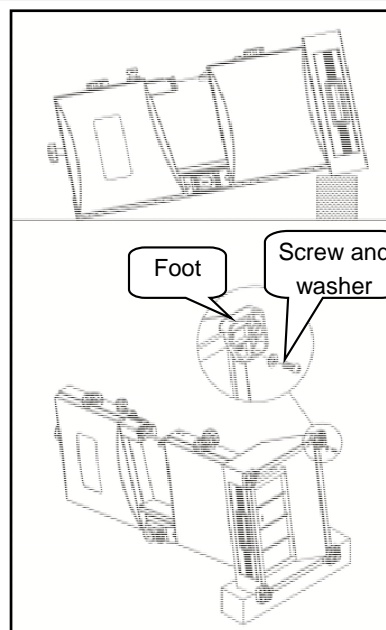
Before starting the operation of the machine for the first time, check if all parts listed in the box content section have been supplied

Note: Check the power tool for possible damage. Before further use of the machine, check that all protective devices are fully functional. Any lightly damaged parts must be carefully checked to ensure flawless operation of the tool. All parts must be properly mounted and all conditions fulfilled that ensure faultless operation.

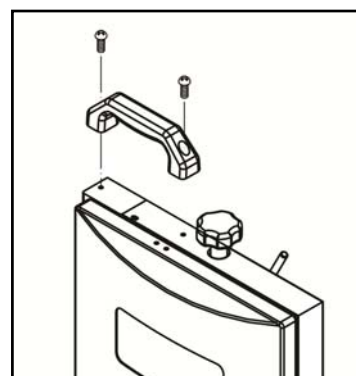
Damaged protective devices and parts must be immediately replaced by an authorised service centre.

Attaching the foot to band saw

- Put down the machine on a timber according to the fig.
- Attach foot A & B to band saw by using pan head screw and washer..
- Place the band saw on a workbench for next assembly.
- Stand the band saw up on to its stand and then tighten the nuts fully on the braces.



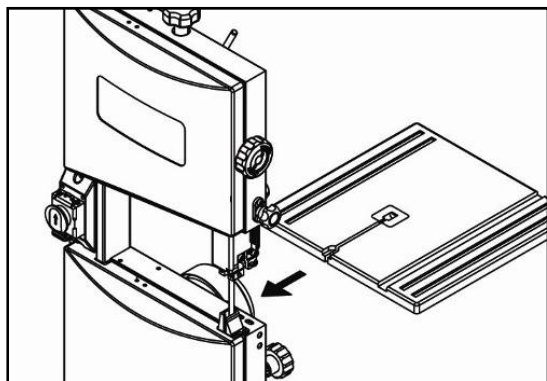
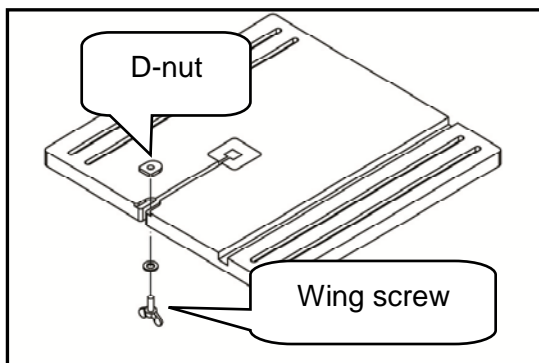
Fix the lifting handle onto top of band saw.



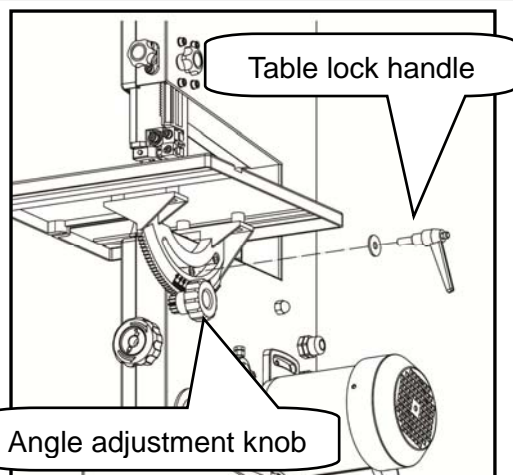
ASSEMBLY INSTRUCTIONS

Mounting table assembly

- Remove the D-nut, washers, and wing screw on the saw table.
- Slide the saw table past the blade and through the slot moving to the frame, pulling the angle adjustment knob away from the saw frame, Align the teeth on the saw table bracket into the teeth on the angle adjustment knob. Release the knob.

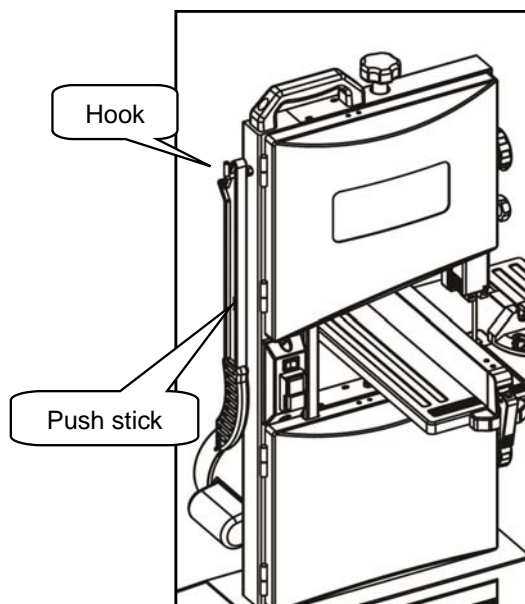


- Fit the pins on the frame into the slots of the saw table bracket.
- Assemble the flat washer and table lock handle. Tighten the saw table to the saw frame by turning the table lock lever clockwise.
- Attach the D-nut, washers, and wing screw to the saw table.



Attaching the hook

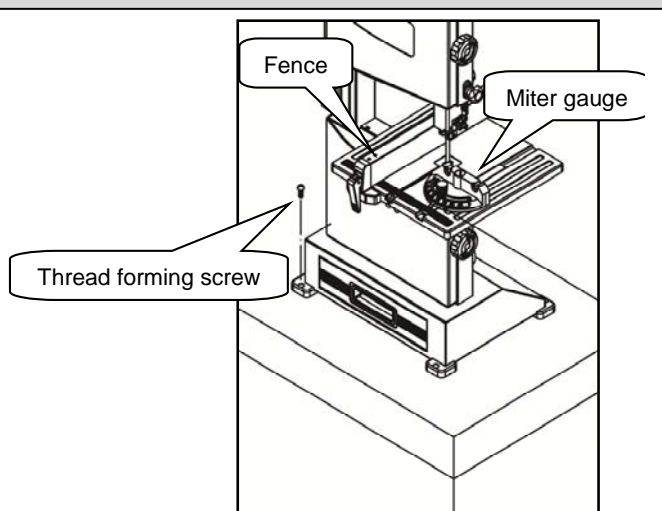
- Secure the hook with M6 hex nut to the frame.
- Place push stick onto the hook.



Fix the band saw

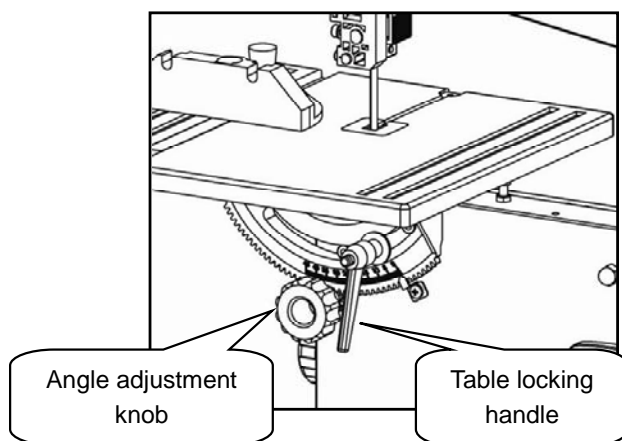
- Fix the band saw to a workbench by using four thread forming screws (not provide).
- Place the fence and miter gauge onto the table.

ASSEMBLY INSTRUCTIONS



Adjusting the Table Tilt

- Loosen the table lock handle slightly.
- Turn the angle adjustment knob, tilting the saw table until it reaches the desired angle.
- Using the scale indicator, check angle markings.
- Retighten the table lock knob to hold saw table securely in place.



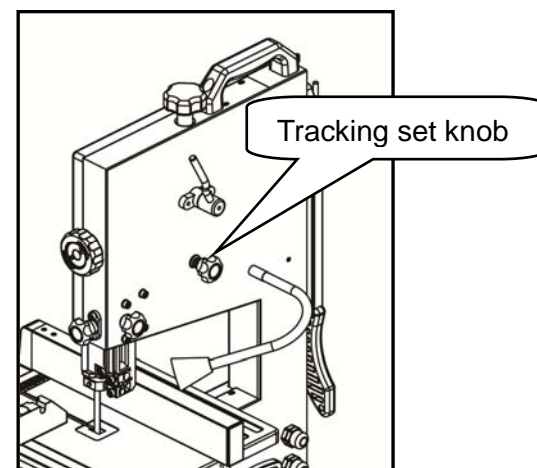
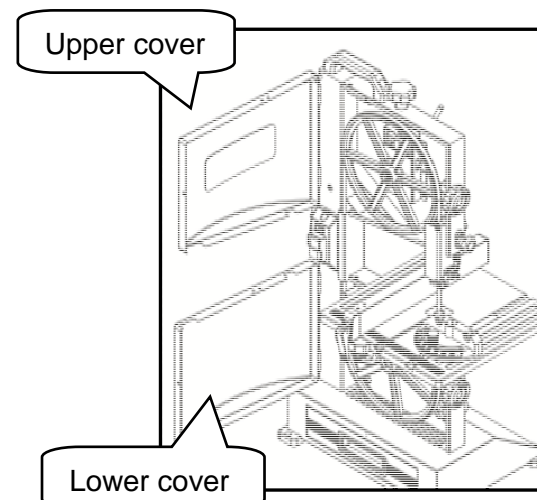
Adjusting the Blade

If the saw blade does not run in the center of the rubber tyre, the tracking needs to be corrected by adjusting the tilt of the upper band saw wheel.

– Open the upper and lower cover. Manually rotate the upper wheel, taking care no to touch the blade.

– Turn tracking set knob clockwise or anticlockwise until the saw blade tracks centered on the rubber tyre.

– After adjusting, retighten the tracking lock knob and close the cover.

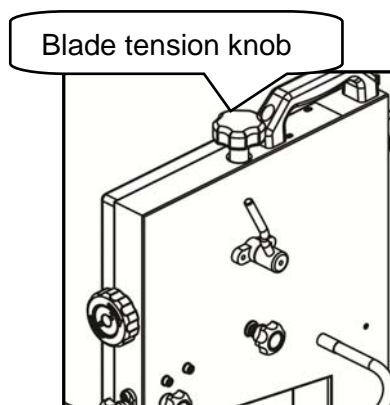


ASSEMBLY INSTRUCTIONS

Adjusting the blade tension

Warning: Too much tension can cause the band saw blade to break. Too little tension can cause the driven band saw wheel to slip and the saw blade to stop.

- Raise upper blade guide fully. Turn the knob to adjust tension.
- Check tension by pushing with a finger, halfway between table and upper guide, against the side blade (the blade should flex not more than 2mm)
- Turning the setting knob clockwise increase the blade tension
- Tuning the setting knob counter-clockwise reduce the blade tension.



Adjusting the Upper Guide

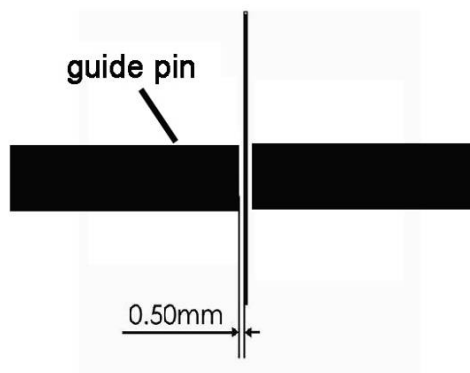
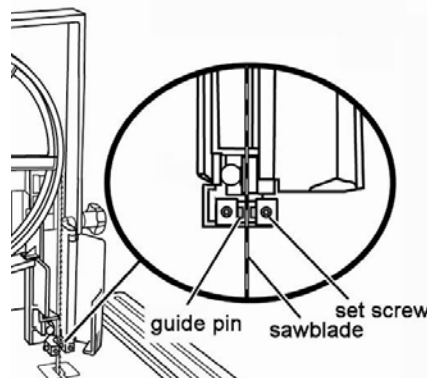
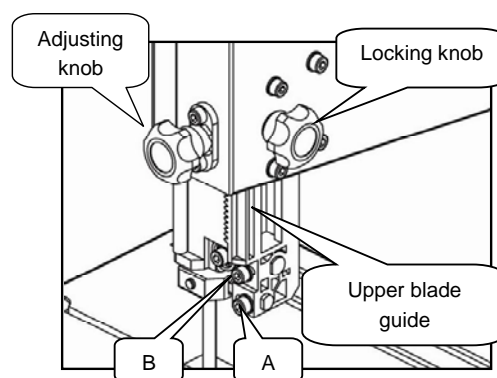
The height of blade guide needs to be adjusted: prior to every cutting/operation, to accommodate the height of work piece (the upper blade guide should be set approx. 3mm above the workpiece).

- Set upper blade guide with the adjusting knob to the desired height by loosening the locking knob. After adjustment, be sure to tighten the lock knob.

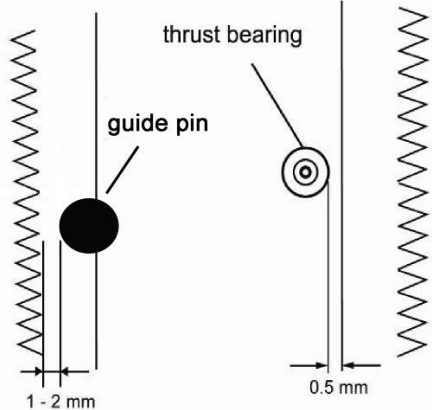
- Loosen the bolt (A), and adjust guide pin position, so that guide pin is positioned 1or 2mm from teeth of blade. Retighten the bolt (A).

- Loosen the bolt (B), and adjust trust bearing to a position of 0.5mm from rear of blade. Retighten the knob (B).

- Loosen the set screw, and adjust guide pin to a position 0.5mm away from blade. Retighten the set screw.



ASSEMBLY INSTRUCTIONS

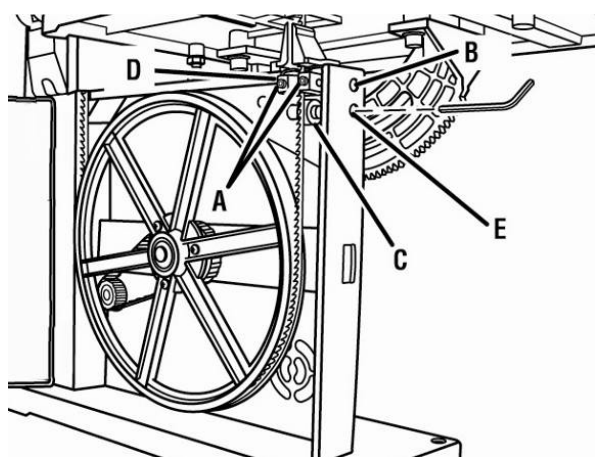


Align the lower blade guide

The lower blade guide needs to be readjusted after every band saw blade change or tracking adjustment.

– Through the hole B and E, use hex wrench to loosen socket bolts, adjust guide pin holder D and thrust bearing C just like adjusting upper blade guide.

– Loosen the set screw A, and adjust the guide pin to a position 0.5mm away from blade. Retighten the set screw.



Changing the band saw blade

Warning: Saw blade is dangerous. Be sure to wear gloves when handling saw blade in situations such as removing from packaging, mounting or replacing blade.

– Remove the D-nut, washers, and wing screw on the saw table.

– Remove the D-nut, washers, and wing screw on the saw table.

– Open the upper cover and lower cover.

– Set the upper blade guide to its lowest position.

– Open the cover of upper guide assembly

– Loosen the quick release handle

– Remove the band saw blade from the machine.

– Fit a fresh band saw blade and center band saw blade on the rubber tyres of the band saw wheels.

– Retighten the quick release handle.

– Replaced the D-nut, washers, and wing screw.

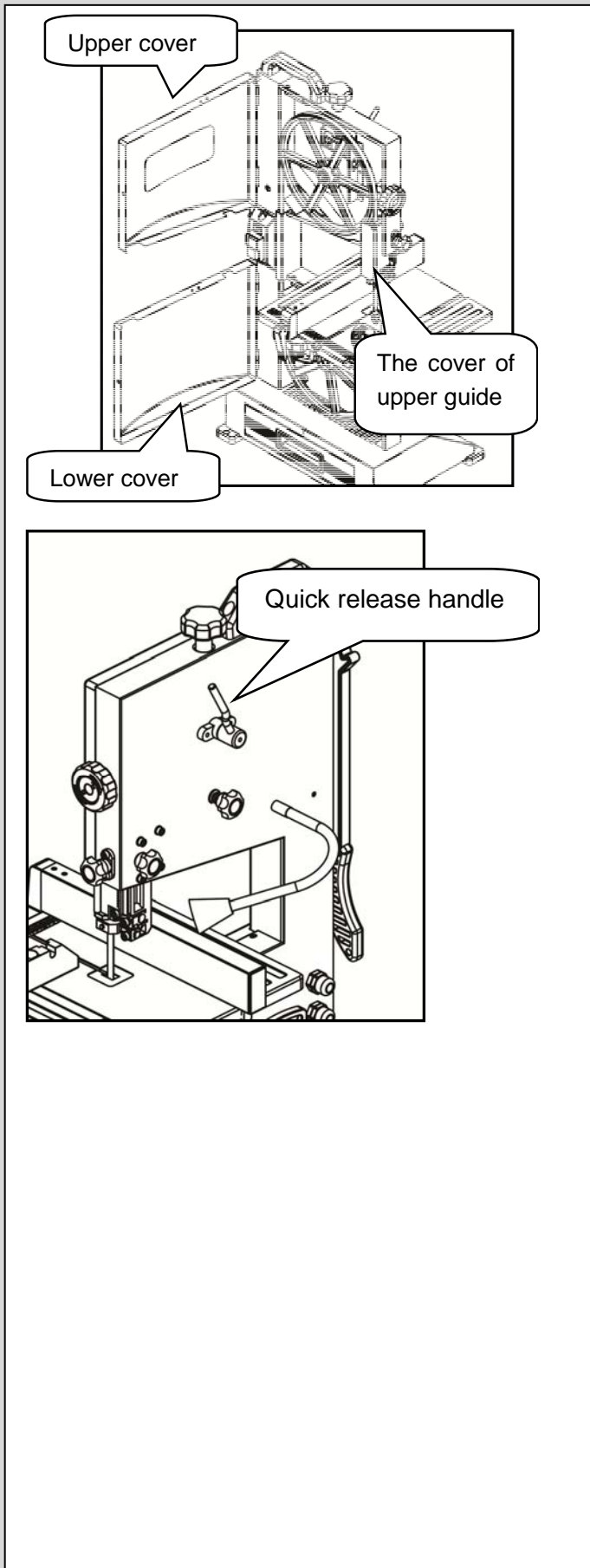
– Close the upper and lower cover. Close the cover of upper guide assembly

Then: Align the saw blade

Adjust the blade tension

Adjust the upper blade guide and lower blade guide

ASSEMBLY INSTRUCTIONS



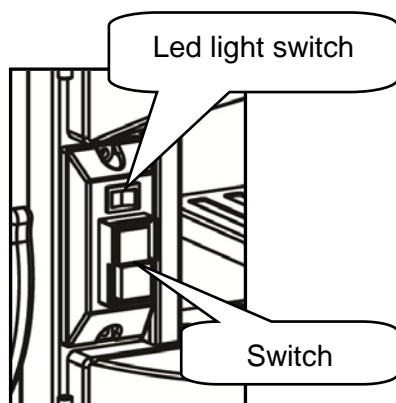
OPERATION

Operation

Before any work on the machine itself, remove the mains plug from outlet.

Switch action

- Set the upper guide as describe previously approx. 3mm above the height of your work piece.
- Position the rip fence/mitre gauge as needed/required. Please note the rip fence can be positioned on either side of the blade.
- Turn on the LED light if required and start the machine.



- Wait for the motor to reach full speed then push through your work piece, using the push stick to stop accidental touching of the blade.
- Turn of machine and LED light.

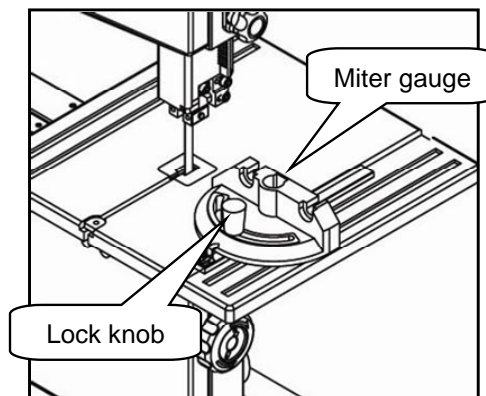
Using miter gauge

The miter gauge is inserting into the table slot from the table front edge.

For miter cuts, the miter gauge can be turned to 60° in both directions.

To set a miter angle: loosen lock knob by turning it counter-clockwise.

Warning: When cutting with miter gauge, the lock handle must be firmly tightened.

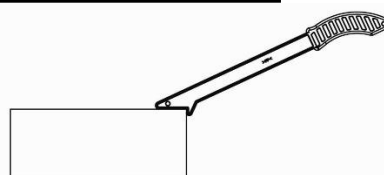
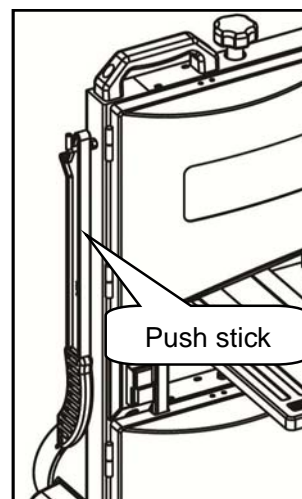


Using push stick

The push stick serves as an extension of the hand and protects against accidental contact with saw blade.

When the push stick is not used, it can be stored on the hook provided at the band saw frame.

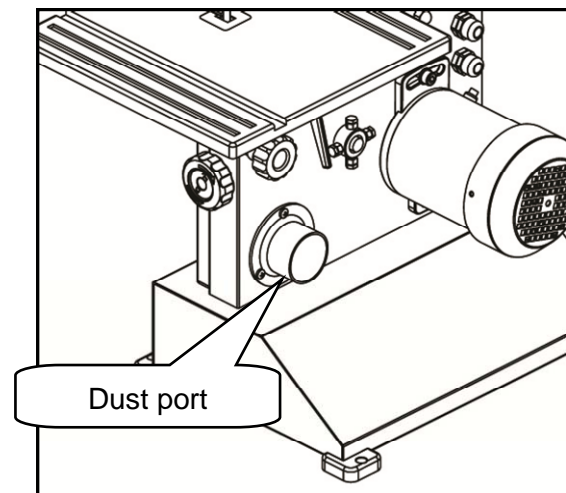
Replace push stick if damaged.



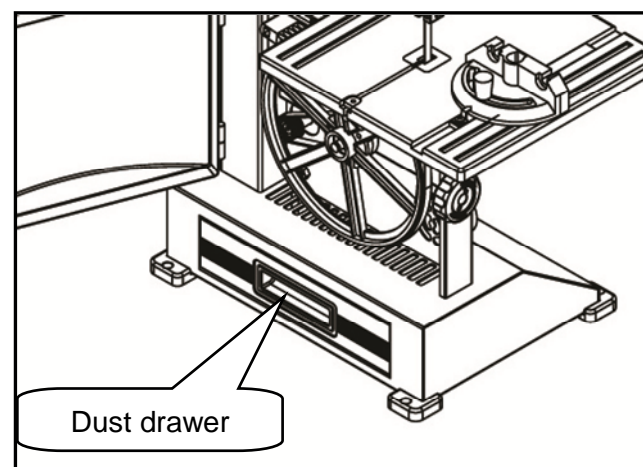
OPERATION & MAINTENANCE AND SERVICE

Connecting to dust collector

– The band saw provides a dust port. It should be connected with dust collector when sawing wood.



If you do not have dedicated band saw extraction, there is another chance to get rid of the saw dust. Most of debris except usual dust drifts would fall through a grating into the dust drawer. It can be easily pulled out and cleaned.



Maintenance and Service

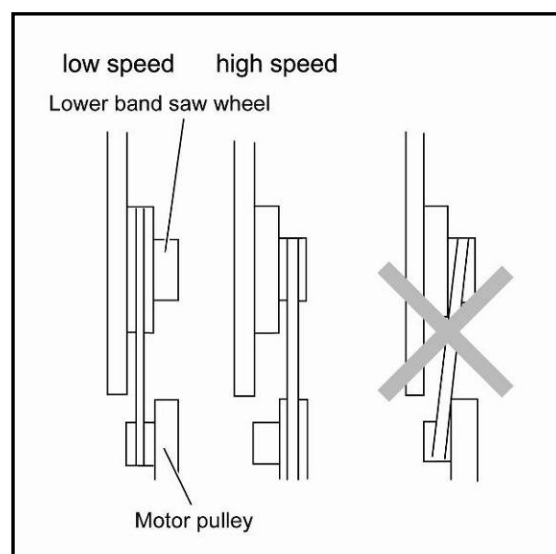
Be aware that the machine should always have the on/off switch set to the off position and be unplugged from any outlet before any inspection, adjustments, maintenance or cleaning is performed.

–**Before each use** inspect the general condition of the machine. Check for loose screws, misalignment or binding of moving parts, cracked or broken parts, damaged electrical wiring, or any other condition that may affect its safe operation. If abnormal noise or vibration occurs, have the problem corrected before further use.

–**Each day** remove all sawdust and debris from the router table with a soft brush, cloth or vacuum. Also lubricate all moving parts with a premium lightweight machine oil. **Do not use solvents or caustic agents to clean the band saw.**

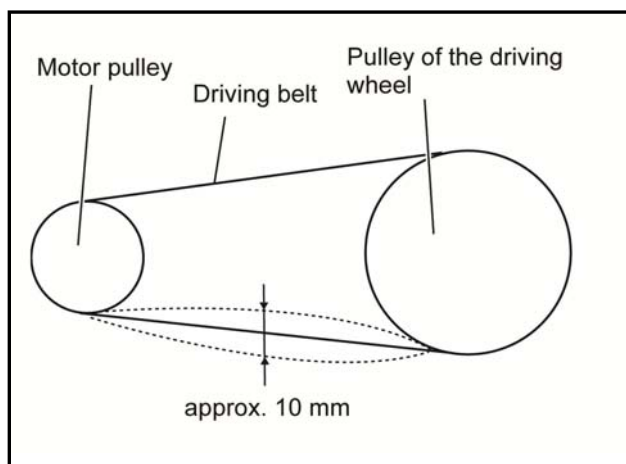
Changing the Cutting Speed

- Open the lower cover.
- Slacken the drive belt by turning the knob clockwise.
- Put the drive belt on the correct drive wheels as required.



MAINTENANCE AND SERVICE

- Now tighten the drive belt knob.
- Now check the belt is tensioned correctly, do this by pulling the belt half way between the pulleys and it should approx. 10mm.
- If it needs adjusting loosen the motor locking bolt and turn the motor anti-clockwise to loosen the belt and clockwise to tighten the belt.
- When the correct tension is achieved tighten the motor locking bolt.



Changing the Blade

- Remove the guide rail from the table.
- Open the upper and lower covers.
- Set the upper blade guide to its lowest position.
- Loosen the saw blade tension knob until the blade has slackened so that the blade can be removed.
- Remove the blade and clean both top and bottom pulleys before installing the new blade.
- Tighten the saw blade tension knob, and replace the guide rail and close the top and bottom covers.

- Now align and tension the blade then adjust the upper and lower blade guides as described earlier in this manual.

LUMBERJACK GUARANTEE

1. Guarantee

1.1 Lumberjack guarantees that for a period of 12 months from the date of purchase the components of qualifying products (see clauses 1.2.1 to 1.2.8) will be free from defects caused by faulty construction or manufacture.

1.2. During this period Lumberjack, will repair or replace free of charge any parts which are proved to be faulty in accordance with paragraph 1.1 providing that:

1.2.1 You follow the claims procedure set out in clause 2

1.2.2 Lumberjack and its authorised dealers are given reasonable opportunity after receiving notice of the claim to examine the product

1.2.3 If asked to do so by Lumberjack or its Authorised dealer, you return the product at your own cost to Lumberjack's or supplying Authorised Dealer's premises, for the examination to take place clearly stating the Returns Material Authorisation number given by Lumberjack or an Authorised Dealer.

1.2.4 The fault in question is not caused by industrial use, accidental damage, fair wear and tear, wilful damage, neglect, incorrect electrical connection, misuse, or alteration or repair of the product without approval.

1.2.5 The product has been used in a domestic environment only

1.2.6 The fault does not relate to consumable items such as blades, bearings, drive belts, or other wearing parts which can reasonably be expected to wear at different rates depending on usage.

1.2.7 The product has not been used for hire purposes.

1.2.8 The product has been purchased by you as the guarantee is not transferable from a private sale.

2. Claims Procedure

2.1 In the first instance please contact the Authorised Dealer who supplied the product to you. In our experience many initial problems with machines that are thought to be faulty due to faulty parts are actually solved by correct setting up or adjustment of the machine. A good Authorised Dealer should be able to resolve the majority of these issues much more quickly than processing a claim under the guarantee. If a return is requested by the Authorised Dealer or Lumberjack, you will be provided with a Returns Material Authorisation number which must be clearly stated on the returned package, and any accompanying correspondence. Failure to provide a Returns Material Authorisation number may result in item being refused delivery at Authorised Dealer.

2.2 Any issues with the product resulting in a potential claim under the guarantee must be reported to the Authorised Dealer from which it was purchased within 48 hours of Receipt.

2.3 If the Authorised Dealer who supplied the product to you has been unable to satisfy your query, any claims made under this Guarantee should be made directly to Lumberjack. The Claim itself should be made in a letter setting out the date and place of purchase, giving a brief explanation of the problem which has led to the claim. This letter should be then sent with proof

LUMBERJACK GUARANTEE

of purchase to Lumberjack. If you include a contact number with this it will speed your claim up.

2.4 Please note that it is essential that the letter of claim reaches Lumberjack on the last day of this Guarantee at the latest. Late claims will not be considered.

3. Limitation of Liability

3.1 We only supply products for domestic and private use. You agree not to use the product for any commercial, business or resale purposes and we have no liability to you for any loss of profit, loss of business, business interruption or loss of business opportunity.

3.2 This Guarantee does not confer any rights other than these expressly set out above and does not cover any claims for consequential loss or damage. This Guarantee is offered as an extra benefit and does not affect your statutory rights as a consumer.

4. Notice

This Guarantee applies to all product purchased from an Authorised Dealer of Lumberjack within the United Kingdom. Terms of Guarantee may vary in other countries.

We Importer:

TOOLSAVE LTD

Unit C, Manders Ind. Est.,
Old Heath Road, Wolverhampton,
WV1 2RP.

Declare that the product:

**Designation: 9" Bandsaw
Model: BS228**

Complies with the following Directives:

Electromagnetic Compatibility Directive - **2004/108/EC**

Machine Directive - **2006/42/EC**

Restrictions of the use of Hazardous Substances in Electrical Equipment - **2011-65/EU**

Waste Electrical and Electronic Equipment - **2012/19/EU**

Standards & technical specifications referred to:

EN 61029-1:2009/A11:2010

EN 61029-2-5:2011

Authorised Technical File Holder: Bill Evans

01.07.2020

The Director



Parts List

No.	Description	No.	Description
1	Knob	30.1	locknut
2	flat washer	31	nut
3	pressure spring	32	bolt
4	bolt	33	handle
5	support	33.1	bolt
6	bolt	34	bolt
7	round pin	35	microswitch cover
8	nut	36	microswitch
9	nut	37	microswitch box
10	spring washer	38	nut
11	wheel support	39	body
12	wheel shaft	40	switch cover
13	bearing	41	terminal
14	upper disc wheel	42	tension disc
15	retaining ring	43	bolt
16	retaining ring	44	switch cover plate
17	wheel rim	45	bolt
18	bolt	46	switch
19	sheeting	47	switch
20	nut	48	spring washer
21	upper wheel cover	49	tooth washer
22	blade	50	bolt
23	lower wheel cover	51	nut
24	nut	52	flat washer
25	cushion cover	53	spacer bush
26	bolt	54	brush
27	lower disc wheel	55	bolt
28	bolt	56	dust drawer
29	driven gear	57	dust drawer handle
30	lower wheel shaft	58	steel ball spring

Parts List

No.	Description	No.	Description
59	steel ball	88	adjustment gear
60	fixing sleeve	89	adjustment handle seat
61	bolt	90	flat washer
62	foot pad	91	bolt
63	bolt	92	adjustment handle
63.1	flat washer	93	saw guide block
64	foot pad	94	flat washer
65	belt	95	bolt
66	dust port	96	flat washer
67	bolt	97	bolt
68	locknut	98.01	blade block
69	handle	98.02	bolt
70	bolt	98.03	blade cover
71	bolt	98.04	blade block
72	bearing	98.05	pressure spring
73	flat washer	98.06	flat washer
74	bearing studdle	98.07	bolt
75	bolt	98.08	bearing studdle
76	pin	98.09	flat washer
77	saw guide block	98.10	bearing
78	saw guide block	98.11	bolt
79	bolt	99	fixing nut
80	flat washer	100	fixing plate
81	bolt	101	flat washer
82	lower protecting cover	102	flat washer
83	flat washer	103	bolt
84	bolt	104	locking handle
85	strain relief	105	flat washer
86	guide block	106	pressure spring
87	bolt	107	adjustment handle

Parts List

No.	Description	No.	Description
108	bolt	122	handle
109	eccentric wheel	123	pointer
110	bolt	124	flat washer
111	handle seat	125	bolt
112	washer	126	rotation handle
113	eccentric wheel shaft	127	pressure spring
114	bolt	128	bolt
115	handle	129	motor
116	mite gauge assembly	130	sponge ring
116.1	know	131	gear
116.2	flat washer	132	flat washer
116.3	mite gauge	133	bolt
116.4	bolt	134	flat washer
116.5	flat washer	135	bolt
116.6	pointer	136	power line
116.7	sliding bar	137	inner wire
117	table insert	138	pipe
118	table assembly	139	wrench
118.1	table	140	wrench
118.2	nut	141	push stick
118.3	flat washer	142	hook
118.4	bolt	143	nut
118.5	rotation seat	144	fence assembly
118.6	nut	144.01	fence
118.7	bolt	144.02	shrapnel
118.8	flat washer	144.03	panel
118.9	bolt	144.04	pull rod
119	limit shaft sleeve	144.05	locking handle
120	bolt	144.06	fence seat
121	flat washer	144.07	end cup

Parts List

No.	Description	No.	Description
144.08	bolt	147	LED driver
144.09	locknut	148	bolt
144.10	bolt	149	nut
145	nut	150	LED light
146	flat washer		

Parts Diagram

