



ORIGINAL INSTRUCTIONS

PRODUCT SPECIFICATIONS

Jointer / Planer	
Motor Power	1100W
Max Cutting Width	153mm (6in)
Max Cutting Depth	3mm (1/8in)
Cutterhead Rotation Speed	10000 RPM
Number of Blades	2 Blades
Table Size	725 X 160mm (28-1/2 X 6-1/4 in)
Fence Size	530X110mm (21 X 4-1/4 in)
Dust Collection Port	60.5mm (2-1/2 in)
Fence Angle	0 to 45°

SAFETY INSTRUCTIONS

WARNING: When using electric tools, basic safety precautions should always be followed to reduce the risk of fire, electric shock and personal injury.

Read all these instructions before operating this machine.

GENERAL

1. Read and understand manual.

For your own safety, read and understand the entire instruction manual before operating the Jointer.

2. Read and understand warning label.

Read and understand the warning labels posted on the machine.

Failure to comply with all of these labels may cause serious injury.

3. Keep work area clean.

Cluttered areas and benches invite injuries.

4. Consider work area environment.

Do not use power tools in damp or wet locations. Keep work area well lit.

Do not use power tools where there is risk to cause fire or explosion.

5. Guard against electric shock.

Avoid body contact with earthed or grounded surfaces (e.g. pipes, radiators, ranges, refrigerators).

6. Keep children away.

All children should be kept away from the machine when in use.

7. Tool Storage.

When not in use, tools should be stored in a dry, out of reach of children.

8. Do not force the tool.

It will do the job better and safer at the rate for which it was intended.

9. Dress properly.

Do not wear loose clothing or jewelry, they can be caught in moving parts. Wear protective hair covering to contain long hair.

10. Use safety glasses and hearing protection.

Also use face or dust mask if the cutting operation is dusty.

11. Disconnect tools.

When not in use, before servicing and changing accessories such as blades, make sure the tool is disconnected from the power supply.

ADDITIONAL SAFETY RULES FOR THIS PRODUCT

1. Be alert and think clearly. Never operate power tools when tired, intoxicated or when taking medications that cause drowsiness.
2. Keep hands away from moving parts and cutting surfaces.
3. Handle workpiece correctly. Protect hands from possible injury.
4. Do not perform jointing/planing operations on material shorter than 200mm (8"), or less than 6mm(1/4") thick.
5. Never make jointing cut deeper than 1/8" .
6. Do not back the work towards the in-feed table.
7. Support the workpiece adequately at all times during operation.
8. Use push block/push stick for jointing material narrower than 75mm (3") or planing material thinner than 75mm (3").
9. Take precautions against kickback. Do not permit anyone to stand or cross in line of cutterhead's rotation.
10. Replace or sharpen blades as they become damaged or dull.

ACCESSORIES AND ATTACHMENTS

RECOMMENDED ACCESSORIES

WARNING: To avoid injury:

- Use only accessories recommended for this machine.
- Follow instructions that accompany accessories. Use of improper accessories may cause hazards.
- Use only accessories designed for this machine to avoid injury from thrown broken parts or work pieces.
- Do not use any accessory unless you have completely read the instruction or operator's manual for that accessory.

CARTON CONTENTS

UNPACKING AND CHECKING CONTENTS

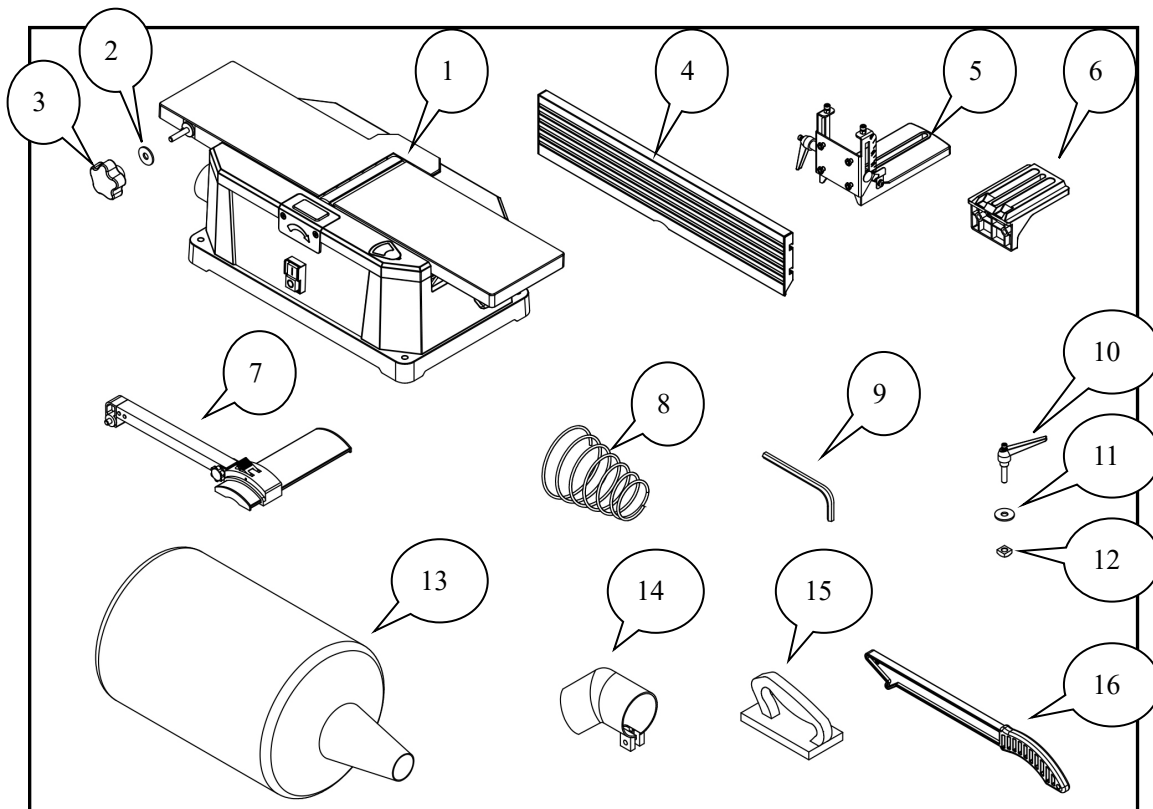
Carefully unpack the machine and all its parts, and compare against the illustration following.

WARNING:

- To avoid injury from unexpected starting, do not plug the power cord into a power source receptacle during unpacking and assembly.
This cord must remain unplugged whenever you are assembling or adjusting the machine.
- If any part is missing or damaged, do not plug the machine in until the missing or damaged part is replaced, and assembly is complete.

TABLE OF LOOSE PARTS

Unpack carton; check you machine to see parts listed below:

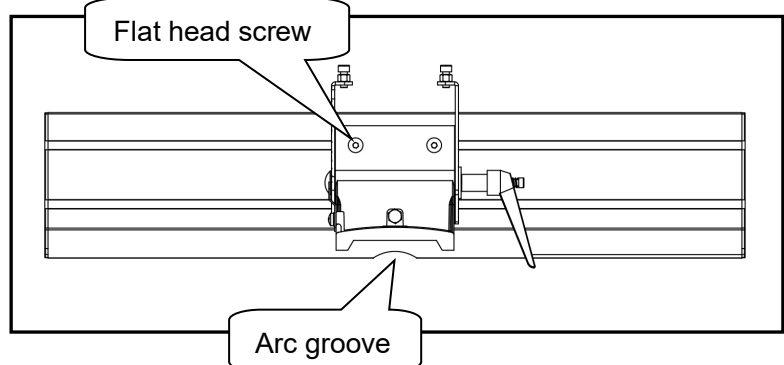
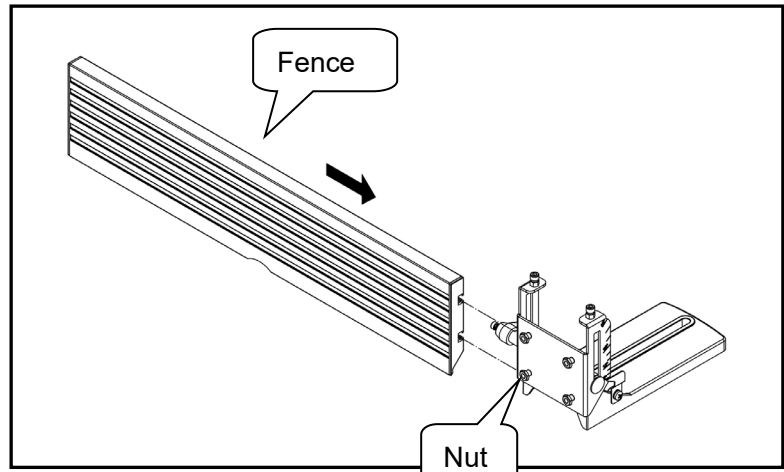


1. Jointer
2. 8mm Flat washer
3. Knob
4. Fence
5. Fence support assembly
6. Fence sliding base
7. Bridge cover assembly
8. Spring
9. 4mm Hex wrench
10. Lock handle
11. Flat washer
12. Square nut
13. Filter bag
14. Dust chute
15. Push block
16. Push stick

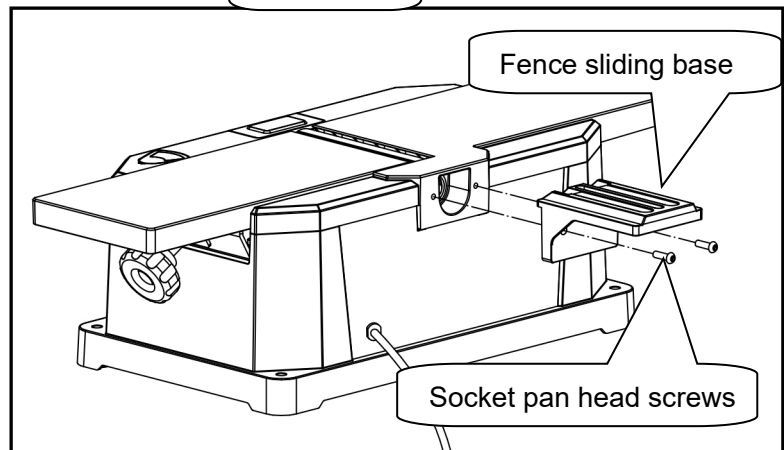
ASSEMBLY

THE FENCE

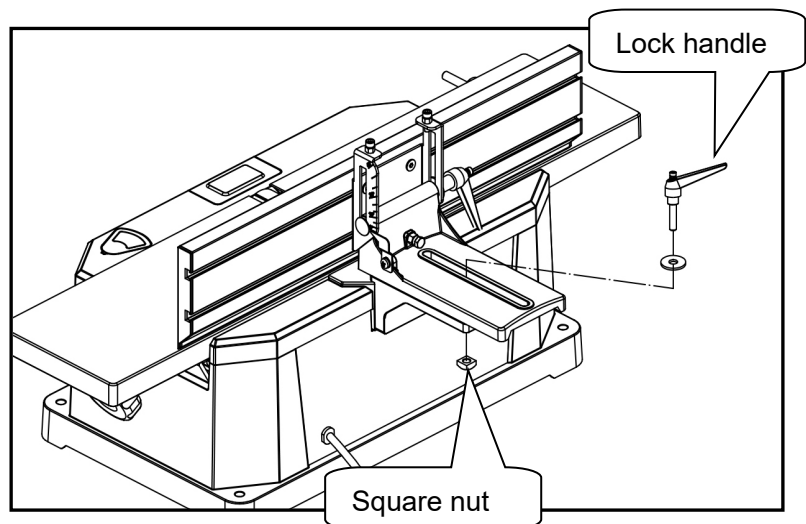
- Align the T-slot on the fence to the nut on fence support assembly, slide the fence onto the nut until the arc groove aligns the Fence support center. Tighten the four flat head screws to fix the fence.



- Remove the two socket pan head screws from the jointer. Attach the fence sliding base to the jointer, fix it by using the two socket pan head screws



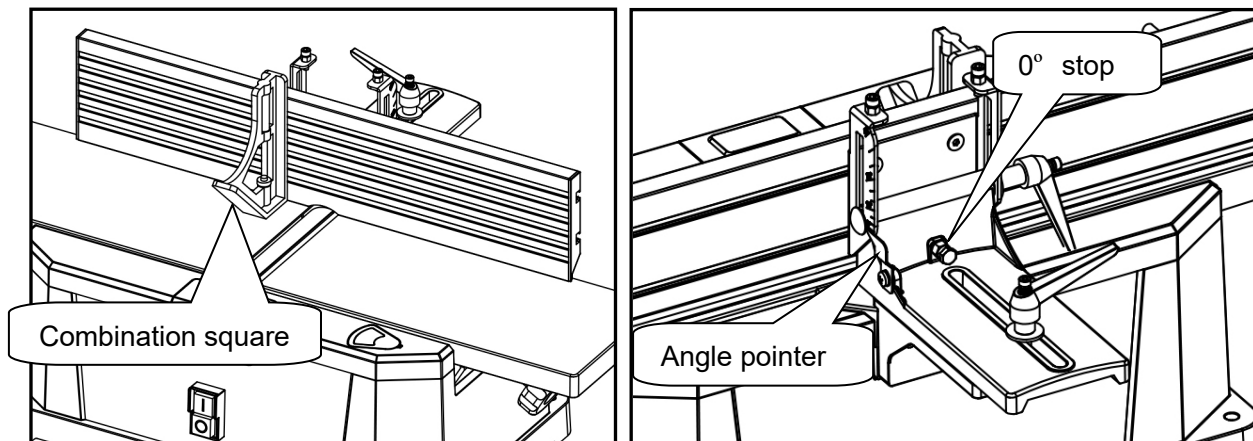
- Fix the fence and fence support onto the sliding base by using the lock handle, flat washer and square nut.



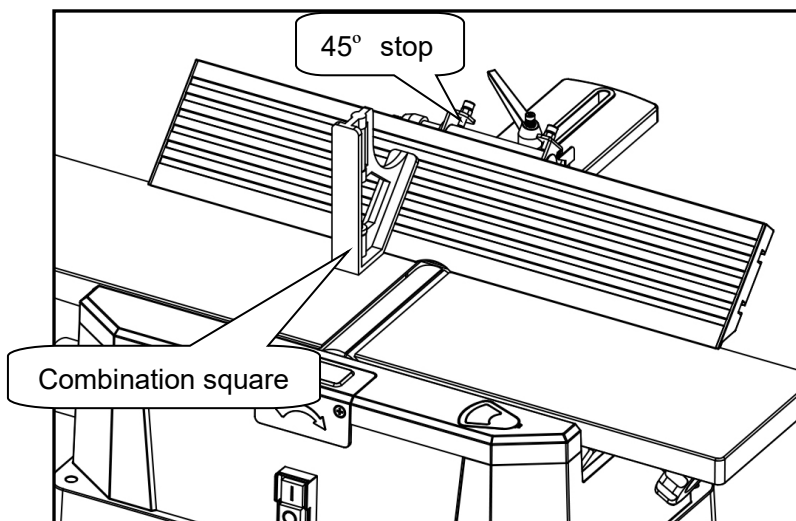
CHECK AND ADJUST THE FENCE ANGLE

Before adjusting the fence, make sure the power is turn off.

- Using a combination square, check the 0° angle. If necessary adjust the 0° stop and set angle pointer at 0°.



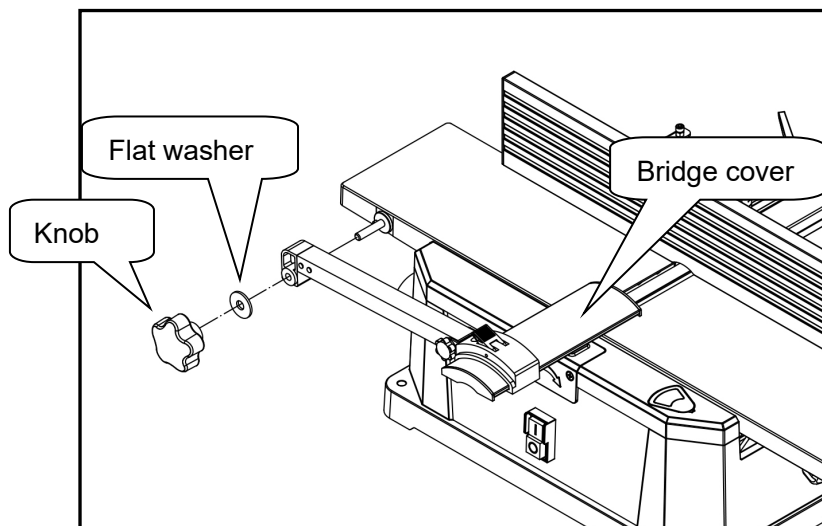
- Using the combination square, check the 45° angle between the fence and table. If necessary, adjust the 45° stop .



ATTENTION: The lowest line of the fence should always sit on the out-feed table.

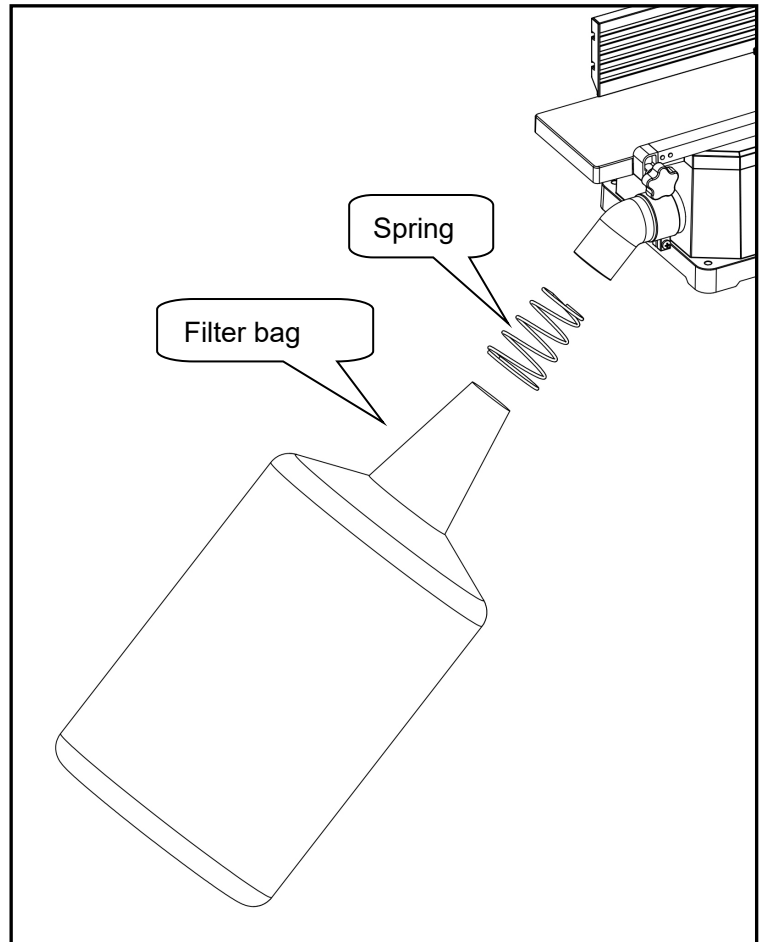
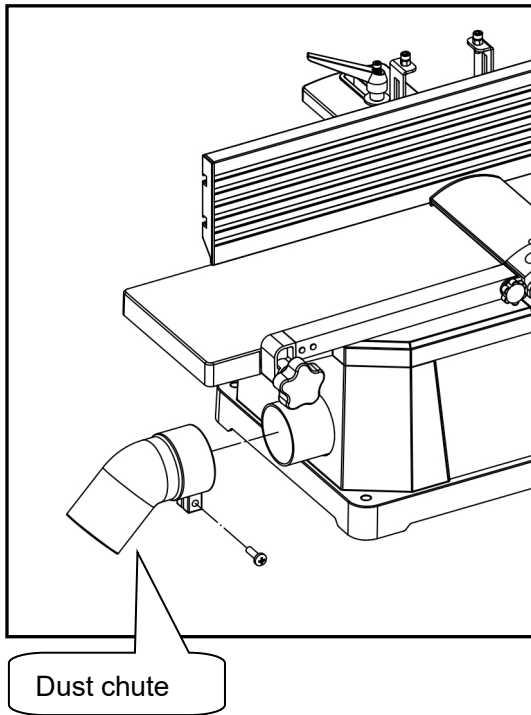
INSTALL THE BRIDGE COVER ASSEMBLY

Attach the bridge cover assembly to the jointer with the knob and flat washer.



INSTALL THE DUST CHUTE AND FILTER BAG

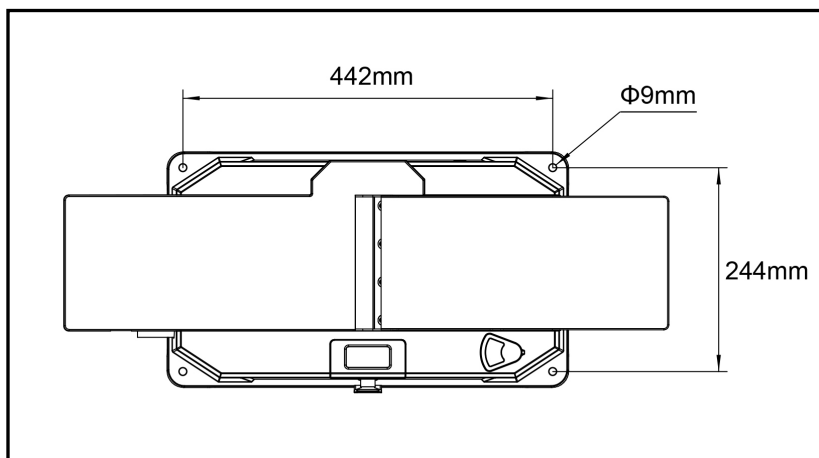
- Slide dust chute onto end of chip port. Tighten the pan head screw.
- Open the zipper on the bottom of the bag, place the spring inside of the filter bag arm. Slide the arm with the spring over the dust chute. Close the zipper.



Mounting jointer to bench table

For effective and safe operation, the jointer should be mounted to a bench table.

Use the four mounting holes on the base to fix the jointer to a bench table.



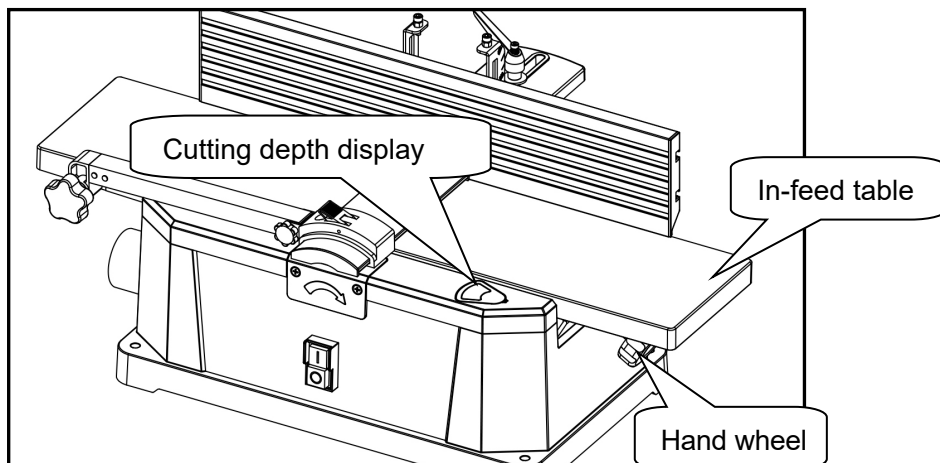
OPERATION INSTRUCTIONS

Jointing is a surfacing operation in which a small amount of wood is removed from the edges and faces of boards to get smooth, straight and even surfaces such that the two edges that run across the planing blocks would fit together perfectly, forming a seamless joint.

Planing refers to the sizing of lumber to a desired thickness while creating a level surface parallel to the opposite size of the board. Depth of cut is the term used to indicate how deep the blades will cut into the workpiece.

ADJUSTING THE DEPTH OF CUT

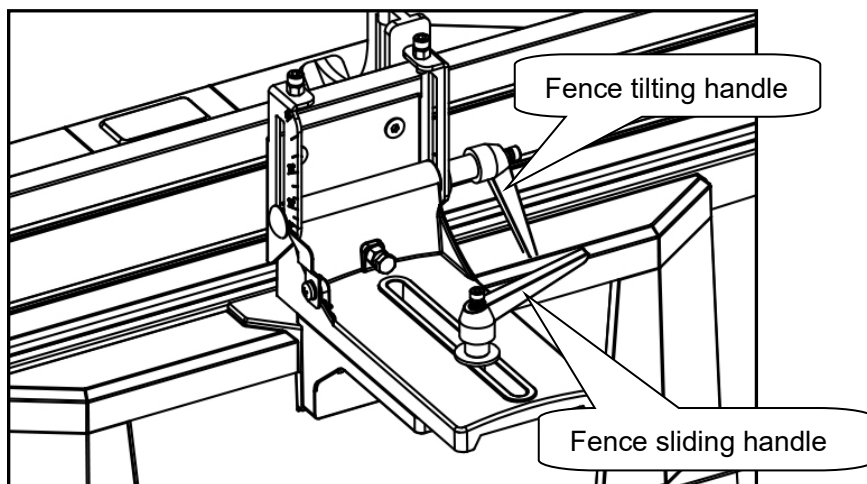
- The depth of cut is adjusted by the relative positioning of the in-feed table with respect to the cutterhead. In-feed table can be raised or lowered using the hand wheel.
- Turning the hand wheel anticlockwise will lower the in-feed table causing more wood to be removed from workpiece.
- Turning the hand wheel clockwise will raise the in-feed table causing less wood to be removed from workpiece.
- Do not make jointing or planing cuts deeper than 1/8" .



ADJUST THE FENCE POSITION

Before adjusting the fence, make sure the power is turned off.

- Loosen the fence tilting handle. Adjust the fence to desired angle and re-tighten the handle.
- Loosen the fence sliding handle. Slide the fence to desired position and re-tighten the handle. **ATTENTION: The lowest line of the fence should always sit on the out-feed table.**



ADJUSTING BLADE HEIGHT

CAUTION: Make sure the machine is unplugged before proceeding with checking blades.

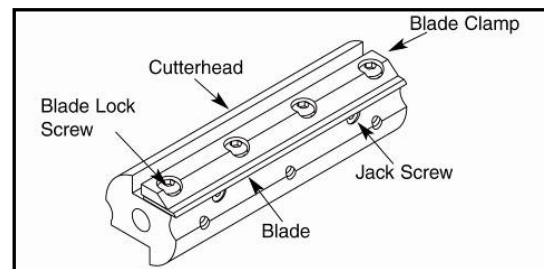
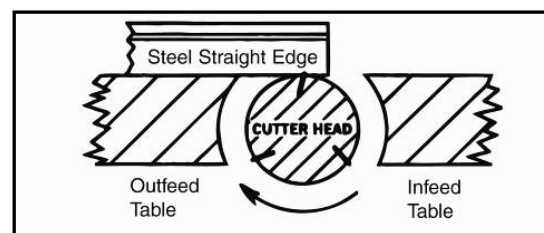
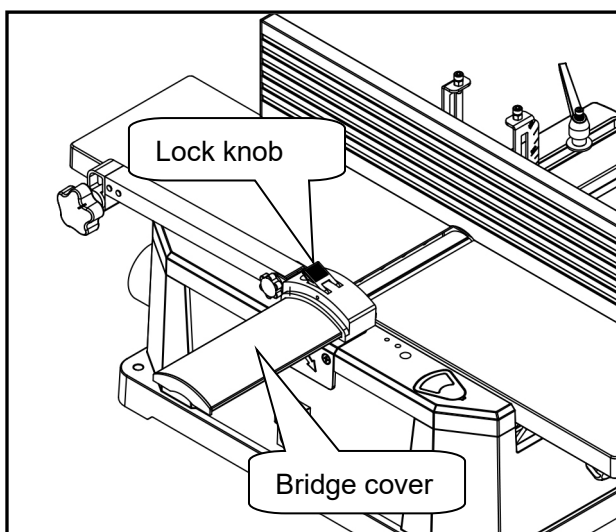
The blades have been adjusted at the factory to assure proper operation and should require no adjustment. However, shipping and handling may have caused misalignment. For accurate cutting, the blades must be as high as the out feed table when positioned at the highest point.

To check blade height:

- Loosen the bridge cover locking knob, pull out the bridge cover.
- Turn the cutter head so that one of the blades is at the highest position.

CAUTION: The cutter head blades are extremely sharp. Do not let your fingers contact the cutting edge at any time.

- Place a straightedge over the out feed table and the blade
- The straight edge must touch evenly on the out feed table at both ends of the blade.
- Rotate the cutter head by hand. The blades should just touch the straightedge. If a blade is too low or too high at either end, adjust blade height using the jack screws.



AVOID DAMAGE TO BLADES

This Planer is a precision woodworking machine and should only be used on quality lumber. Using bad lumber could result in a poor quality cut on subsequent pieces.

For proper operation, it is preferable to use the Planer with a dust collecting system attached to the chip port in the rear of the jointer. Attaching a dust collecting system is especially required when taking deeper cuts to prevent clogging of wood chips

- Do not use dirty boards. Dirt and stones are abrasive and will wear the blade quickly.
- Remove nails and staples from the wood before planing.
- Avoid knots. Heavy cross-grain makes knots hard and they can come loose and jam the planer.
- Assess value of badly warped boards. Operator can be tempted to use too deep of cut to square boards quickly. Use several passes to maintain a level surface so you do not wear or jam the blades.

FEEDING WORKPIECE

Feed rate refers to the rate at which wood is passed over the blades, an even feed will produce a uniformed job.

To feed work piece:

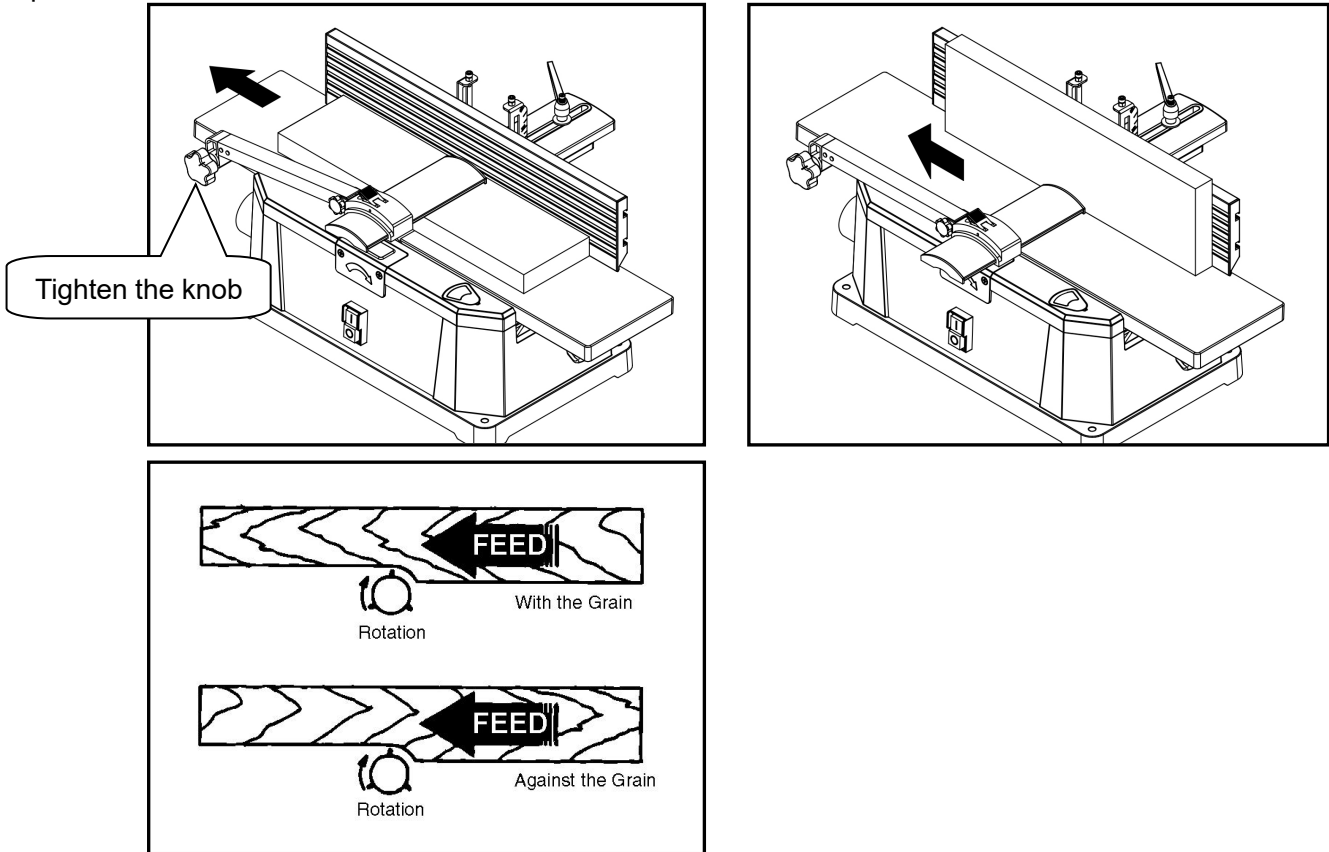
Adjust the bridge cover to desired position, and tighten the knob.

Hold the work piece firmly down on the feed table and against the fence.

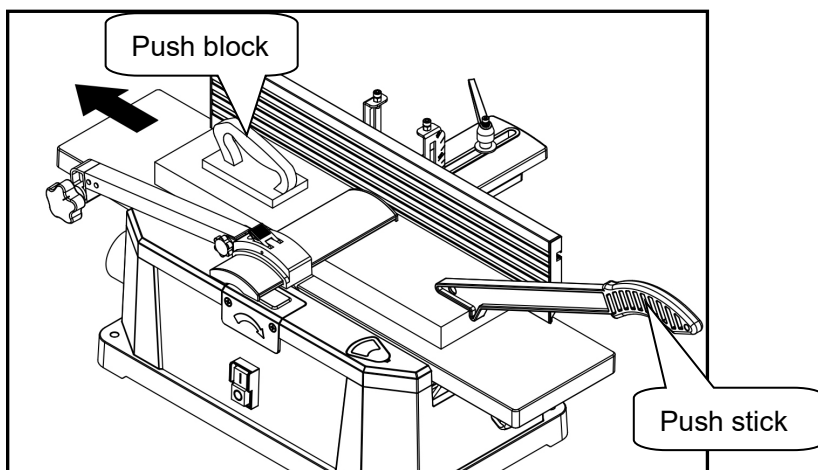
Feed the work piece at an even rate over the cutterhead, any hesitation or stopping will cause a "step" to be cut in the work piece.

As your trailing hand passes over the cutter head remove your leading hand and place behind your trailing hand and repeat until the entire length of work piece has been cut.

Feed with the grain whenever possible, if the nature of the work piece is such that it must be fed against the grain take very light cuts and feed slowly. When using long work pieces use extra supports at both end of the planer.

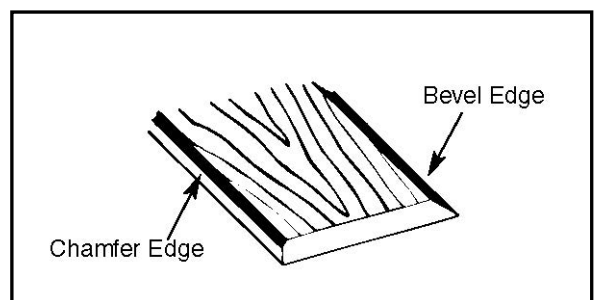


For your safety, use the push block and push stick to hold and feed the workpiece when jointing wood that is narrower than 75mm (3"), planing wood thinner than 75mm (3").



BEVELING AND CHAMFERING

- The fence on the jointer/planer is adjustable from 0° to 45°. Adjust the fence to the desired angle and tighten the fence tilting handle.
- Beveling refers to cutting the entire edge of a board at an angle. Beveling may require several passes due to the depth of cut needed.
- Chamfering refers to removing only the corner of the edge of a board. Normally a chamfer is made on one pass.



USING DUST COLLECTION HOSE

A standard dust collection hose can be attached to the chip port underneath the out-feed table. The Jointer will perform properly at all depths of cuts up to 1/8 "when used with a dust collecting system.

To attach a dust collecting system:

- Insert the dust collection hose to the chip port on the rear of the jointer.
- Turn the dust collecting system on.
- Turn the jointer on.
- Periodically replace/empty dust collecting system.

MAINTENANCE

WARNING: Turn the planer off and unplug from the power source before proceeding to do any maintenance work.

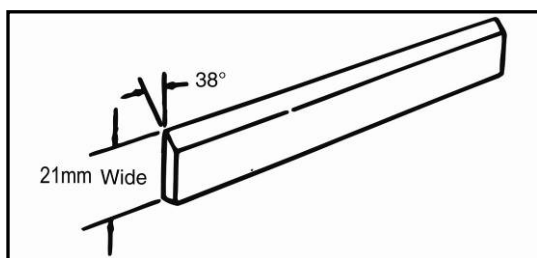
CHECKING FOR WORN BLADES

Condition of blades will affect precision of cut. If blade wear is not observed when checking the blade height, the quality of cut will indicate the blade condition, dull blades will tear rather than sever wood fiber. A raised grain will occur when dull blades pound on wood where there is a difference in density. A raised ridge will be produced where the blades have been nicked.

SHARPENING BLADES

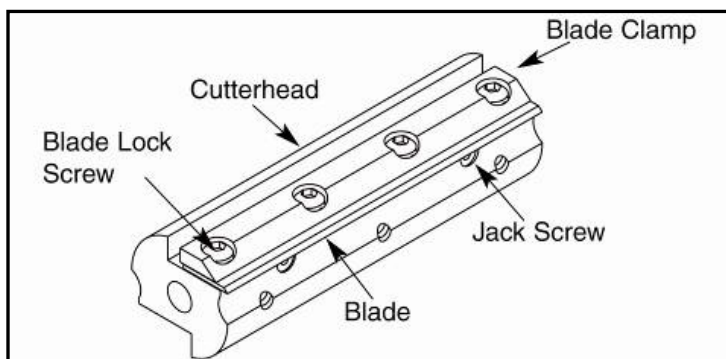
If blades are nicked they must be replaced or reground, they can be reground several times until they become 21 mm wide.

NOTE: Many shops do not have the capabilities to resurface blades. Never install unbalanced blades or blades reground less than 21 mm wide.



REPLACING BLADES

Unplug the planer from power source, loosen the bridge cover locking knob, pull out the bridge cover, loosen and remove the four blade lock screws securing the blade and blade clamp, lift blade and blade clamp from cutter head, clean any sawdust or resin buildup from the cutterhead and blade clamp, place the new blade against the blade clamp and replace in the cutterhead. Secure the blade and blade clamp using the four blade lock screws, do not tighten the blade lock screws until you have checked the blade height, adjust as required using straight edge as described in "adjusting blade height". Tighten blade lock screws, recheck blade adjustment and make sure the blade is still level with the out feed table. Repeat procedure to replace the other blade.



BRUSH INSPECTION AND REPLACEMENT

Turn planer off and disconnect from power source. Brush life depends on the amount of load the motor has taken. Regularly inspect brushes after 50 hours of use.

To inspect or replace brushes, remove the bottom cover and disassemble the motor, loosen brush cap and remove it from the motor, replace bushes if springs are worn or carbon is worn down to 10mm in length or less.

NOTE: Replace brushes in sets only.

Replace brushes and tighten brush cap.

TROUBLESHOOTING

SYMPTOM	POSSIBLE CAUSE(S)	CORRECTIVE ACTION
Motor does not start	1.Defective switch 2.Defective motor 3.Low line voltage 4.Brushes	1.Have switch replaced. 2.Have motor replaced/repared. 3.Correct low line voltage. 4.Check Brushes.
Motor starts slowly or fails to come to full speed	1.Drive Belt Stretched 2.Clogged wood chips	1. Check Drive Belt. 2. Make a shallower cut and attach a dust collection device to the dust port.
Motor running too hot	1.Motor overloaded 2.Restricted air circulation due to dust accumulation	1.Reduce load or speed of pass. 2.Clean machine and restore normal air circulation.
Snipe (gouging at end of boards)	1.Dull blades 2.Inadequate support of long boards 3.Uneven feed	1. Replace or sharpen blades. 2. Support long boards. 3. Feed the workpiece at a consistent rate.

PARTS LIST

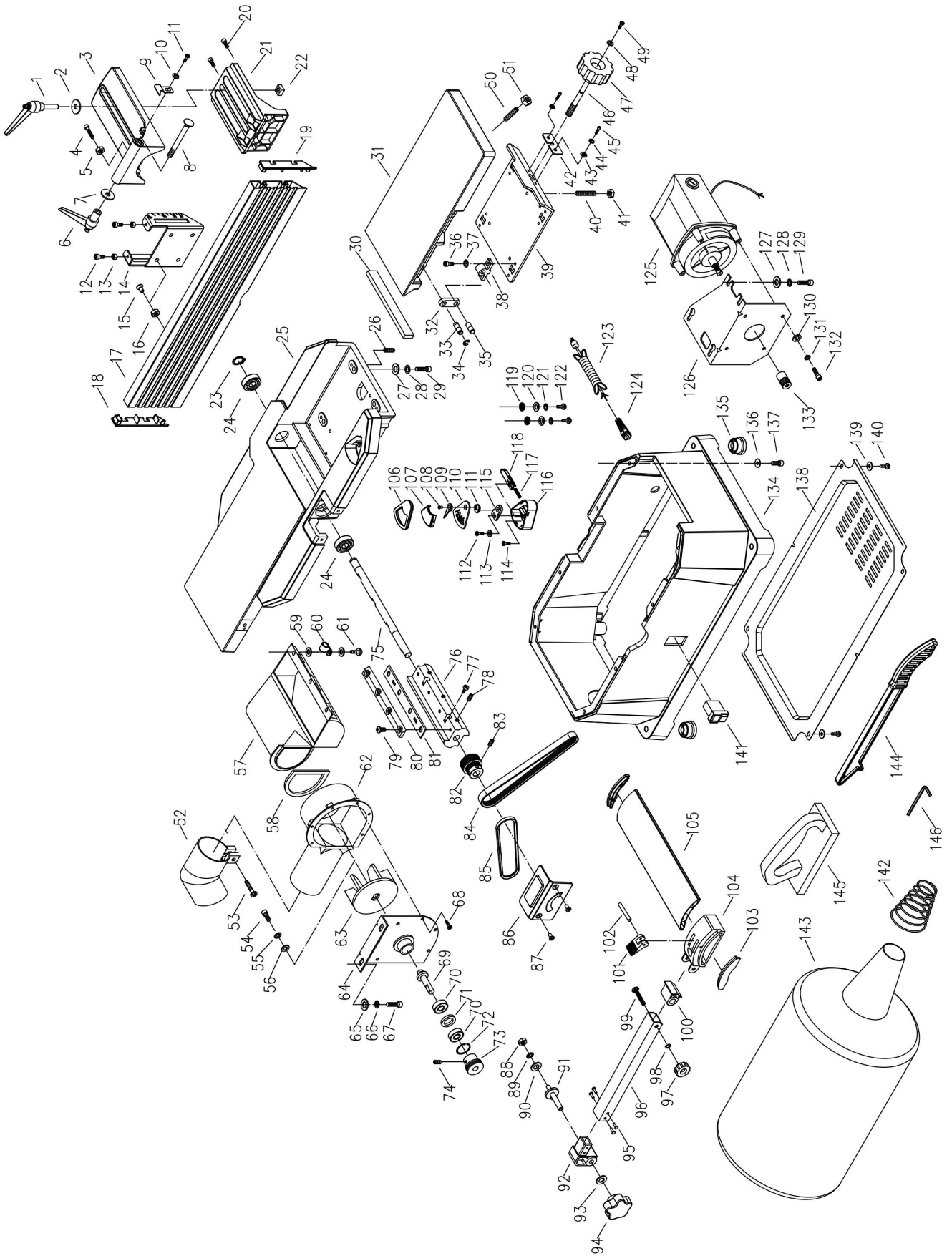
No.	Description	QTY.
1	Fence sliding handle	1
2	Flat washer	1
3	Sliding case	1
4	Hex head bolt	1
5	Hex nut	1
6	Fence tilting handle	1
7	Flat washer	1
8	Carriage bolt	1
9	Fence angle pointer	1
10	Flat washer	1
11	Pan head screw	1
12	Socket head screw	2
13	Hex nut	2
14	Angle support	1
15	Flat head screw	4
16	Hex nut	4
17	Fence	1
18	Fence end cover	1
19	Fence end cover	1
20	Socket pan head screw	2
21	Fence support case	1
22	Square nut	1
23	Retaining ring	1
24	Ball bearing	2
25	Body with outfeed table	1
26	Set screw	4
27	Flat washer	4
28	Lock washer	4
29	Socket head screw	4
30	Sponge	1
31	In-feed table	1
32	Connection plate	4
33	Pin	4
34	E ring	4
35	Pin	4
36	Socket head screw	8
37	Lock washer	8
38	Connection bracket	4
39	Table support plate	1
40	Set screw	1
41	Hex nut	1

No.	Description	QTY.
42	Support plate	1
43	Flat washer	2
44	Lock washer	2
45	Socket head screw	2
46	Elevation screw	1
47	Hand wheel	1
48	Flat washer	1
49	Pan head screw	1
50	Set screw	1
51	Hex nut	1
52	Dust chute	1
53	Pan head screw	1
54	Socket head screw	1
55	Lock washer	1
56	Flat washer	1
57	Chip collector	1
58	Sponge	1
59	Flat washer	4
60	Cord clamp	1
61	Pan head screw	3
62	Chip exhaust	1
63	Fan	1
64	Mounting plate	1
65	Flat washer	2
66	Lock washer	2
67	Socket head screw	2
68	Thread forming screw	6
69	Fan shaft	1
70	Ball bearing	2
71	Spacer	1
72	Retaining ring	1
73	Fan pulley	1
74	Set screw	1
75	Shaft	1
76	Cutter head	1
77	Jack screw	4
78	Set screw	3
79	Socket pan head screw	8
80	Blade clamp	2
81	Blade	2
82	Drive pulley	1

No.	Description	QTY.
83	Set screw	2
84	Drive belt	1
85	Fan belt	1
86	Cover	1
87	Flat head screw	2
88	Nut	1
89	Lock washer	1
90	Flat washer	1
91	Shaft	1
92	Arm support	1
93	Flat washer	1
94	Arm locking knob	1
95	Pan head screw	4
96	Arm	1
97	Knob	1
98	Retaining ring	1
99	Carriage bolt	1
100	Arm cover	1
101	Lock knob	1
102	Pin	1
103	End cover	2
104	Bridge cover support	1
105	Bridge cover	1
106	Pointer cover	1
107	View window	1
108	Flat head screw	1
109	Cutting depth pointer	1
110	Scale plate	1
111	Crank	1
112	Pan head screw	1
113	Flat washer	1
114	Pan head screw	2

No.	Description	QTY.
115	Connecting bracket	1
116	Pointer house	1
117	Spring	1
118	Push bar	1
119	Serrated washer	2
120	Flat washer	2
121	Lock washer	2
122	Pan head screw	2
123	Power cord	1
124	Strain relief	1
125	Motor	1
126	Motor support	1
127	Flat washer	4
128	Lock washer	4
129	Socket head screw	4
130	Flat washer	4
131	Lock washer	4
132	Socket head screw	4
133	Motor pulley	1
134	Base	1
135	Foot	4
136	Flat washer	8
137	Socket head screw	8
138	Lower cover	1
139	Flat washer	6
140	Thread forming screw	6
141	Switch	1
142	Spring	1
143	Filter bag	1
144	Push stick	1
145	Push block	1
146	Hex wrench	1

EXPLODED VIEW



We Importer:

TOOLSAVE LTD

Unit C, Manders Ind. Est.,
Old Heath Road, Wolverhampton,
WV1 2RP.

Declare that the product:

**Designation: 6" Bench Top Jointer
Model: BJ1100**

Standards & technical specifications referred to:

**EN IEC 55014-1:2021
EN IEC 55014-2:2021
EN IEC 61000-3-2:2019/A1:2021
EN 61000-3-3:2013/A2:2021**

Authorized Technical File Holder: Bill Evans

20/09/2023

The Director



