



## ORIGINAL INSTRUCTIONS

# TABLE OF CONTENTS

## Welcome to Lumberjack!

Dear Customer, Congratulations on your purchase. Before using the product for the first time please be sure to read these instructions for use.

They provide you with all information necessary for using the product safely and to ensure its long service life.

Closely observe all safety information in these instructions!

<b>General Power Tool Safety Warnings.....</b>	<b>01</b>
<b>Symbols &amp; Cable Rating Chart .....</b>	<b>05</b>
<b>Machine Details and Product Features.....</b>	<b>06</b>
<b>Assembly.....</b>	<b>07</b>
<b>Operation, Maintenance and Service.....</b>	<b>08</b>
<b>Lumberjack Guarantee.....</b>	<b>09</b>
<b>Declaration of Conformity.....</b>	<b>11</b>
<b>Parts List.....</b>	<b>12</b>
<b>Parts Diagram.....</b>	<b>13</b>

# GENERAL POWER TOOL SAFETY WARNINGS

**WARNING Read all safety warnings and all instructions.** Failure to follow the warnings and instructions may result in electric shock, fire and/or serious injury.

**Save all warnings and instructions for future reference.** The term "power tool" in the warnings refers to your electric (corded) power tool or battery-operated (cordless) power tool.

## 1. Work area safety

**a) Keep work area clean and well lit.** Cluttered or dark areas invite accidents.

**b) Do not operate power tools in explosive atmospheres, such as in the presence of flammable liquids, gases or dust.** Power tools create sparks which may ignite the dust or fumes.

**c) Keep children and bystanders away while operating a power tool.** Distractions can cause you to lose control.

## 2. Electrical safety

**a) Power tool plugs must match the outlet. Never modify the plug in any way. Do not use any adapter plugs with grounded power tools.** Unmodified plugs and matching outlets will reduce risk of electric shock.

**b) Avoid body contact with grounded surfaces, such as pipes, radiators, ranges and refrigerators.** There is an increased risk of electric shock if your body is grounded.

**c) Do not expose power tools to rain or wet conditions.** Water entering a power tool will increase the risk of electric shock.

**d) Do not abuse the cord. Never use the cord for carrying, pulling or unplugging the power tool. Keep cord away from heat, oil, sharp edges or moving parts.** Damaged or entangled cords increase the risk of electric shock.

**e) When operating a power tool outdoors, use an extension cord suitable for outdoor use.** Use of a cord suitable for outdoor use reduces the risk of electric shock.

**f) If operating a power tool in a damp location is unavoidable, use a residual current device (RCD) protected supply.** Use of an RCD reduces the risk of electric shock.

## 3. Personal safety

**a) Stay alert, watch what you are doing and use common sense when operating a power tool. Do not use a power tool while you are tired or under the influence of drugs, alcohol or medication.** A moment of inattention while operating power tools may result in serious personal injury.

**b) Use personal protective equipment. Always wear eye protection.** Protective equipment such as dust mask, non-skid safety shoes, hard hat, or hearing protection used for appropriate conditions will reduce personal injuries.

**c) Prevent unintentional starting. Ensure the switch is in the off position before connecting to power source and/or battery pack, picking up or carrying the tool.** Carrying power tools with your finger on the switch or energising power tools that have the switch on invites accidents.

**d) Remove any adjusting key or wrench before turning the power tool on.** A wrench or a key left attached to a rotating part of the power tool may result in personal injury.

# GENERAL POWER TOOL SAFETY WARNINGS

**e) Do not overreach. Keep proper footing and balance at all times.** This enables better control of the power tool in unexpected situations.

**f) Dress properly. Do not wear loose clothing or jewellery. Keep your hair, clothing and gloves away from moving parts.** Loose clothes, jewellery or long hair can be caught in moving parts.

**g) If devices are provided for the connection of dust extraction and collection facilities, ensure these are connected and properly used.** Use of dust collection can reduce dust-related hazards.

## 4. Power tool use and care

**a) Do not force the power tool. Use the correct power tool for your application.** The correct power tool will do the job better and safer at the rate for which it was designed.

**b) Do not use the power tool if the switch does not turn it on and off.** Any power tool that cannot be controlled with the switch is dangerous and must be repaired.

**c) Disconnect the plug from the power source and/or the battery pack from the power tool before making any adjustments, changing accessories, or storing power tools.** Such preventive safety measures reduce the risk of starting the power tool accidentally.

**d) Store idle power tools out of the reach of children and do not allow persons unfamiliar with the power tool or these instructions to operate the power tool.** Power tools are dangerous in the hands of untrained users.

**e) Maintain power tools. Check for misalignment or binding of moving parts, breakage of parts and any other condition that may affect the power tool's operation. If damaged, have the power tool repaired before use.** Many accidents are caused by poorly maintained power tools.

**f) Keep cutting tools sharp and clean.** Properly maintained cutting tools with sharp cutting edges are less likely to bind and are easier to control.

**g) Use the power tool, accessories and tool bits etc. in accordance with these instructions, taking into account the working conditions and the work to be performed.** Use of the power tool for operations different from those intended could result in a hazardous situation.

## 5. Service

**a) Have your power tool serviced by a qualified repair person using only identical replacement parts.** This will ensure that the safety of the power tool is maintained.

**b) If the replacement of the supply cord is necessary, this has to be done by the manufacturer or its agent in order to avoid a safety hazard.**

# GENERAL POWER TOOL SAFETY WARNINGS

## 6 Additional Warnings for Bench Grinder

- a) **Firmly bolt the grinder to a work bench or leg stand** at approximately hip height.
- b) **Never** reach to pick up a workpiece, a piece of scrap, or anything else that is in or near the grinding path of the wheel.
- c) **Avoid awkward operations and hand positions** where a sudden slip could cause your hand to move into the wheel. Always make sure you have good balance.
- d) **Never** stand or have any part of your body in line with the path of the wheel.
- e) **Do not turn the motor switch on and off rapidly.** This could cause the wheel to loosen and could create a hazard. Should this ever occur, stand clear and allow the wheel to come to a complete stop. Disconnect your grinder from the power supply and securely retighten the wheel nut.
- f) **Use only flanges** furnished with this bench grinder.
- g) **If any part of this grinder is missing** or should break, bend, or fail in any way, or should any electrical component fail to perform properly, shut off the power switch, remove the machine plug from the power source and have damaged, missing, or failed parts replaced before resuming operation.
- h) **Do not overtighten the wheel nut.** Excessive tightening can cause the wheel to crack during operation.

- i) **Always use the grinder's wheel guards and safety shields.**
- j) **Inspect grinding wheel** for visible defects. Check the wheel for fissures and cracks, and test for normal operation prior to use. Replace cracked wheel immediately.
- k) **Adjust** distance between wheel and work rest to maintain 1/16 in. or less separation as the diameter of the wheel decreases with use. The value of separation used in the marking is to be the separation recommended by the manufacturer but shall not be more than 1/8 in.
- l) **Always ease the workpiece against the abrasive wheel** when starting to grind. A harsh impact can break the wheel. Use light pressure when starting to grind; too much pressure on a cold wheel can cause the wheel to crack.
- m) **Never start the grinder** when the wheel is in contact with the workpiece.
- n) **Secure work.** Always hold workpiece firmly against the work rest.
- o) **Do not use the bench grinder** if the flange nut or clamp nut is missing or if the spindle shaft is bent.
- p) **Frequently** clean grinding dust from beneath grinder.
- q) **Secure long hair** so it is above shoulder level to prevent entanglement in any rotating parts.
- r) **Stay alert and exercise control.** Watch what you are doing and use common sense. do not operate tool when you are tired. do not rush.

# GENERAL POWER TOOL SAFETY WARNINGS

**s) Do not touch** the cut material until it cools or you can be burned.

**t) If the power supply cord is damaged**, it must be replaced only by the manufacturer or by an authorized service centre to avoid risk.

**u) Make sure the grinder is securely mounted** as described in the assembly instructions before connecting the tool to a power supply.

**w) Save these instructions.** Refer to them frequently and use to instruct other users. If you loan someone this tool, loan them these instructions also.

## 7. Using an Extension Cable.

**a) If an extension cable is required**, use an approved triple core extension cable suitable for the power input of the tool.

**b) Grounded tools** always require a three wire extension cable.

**c) As the distance from the supply outlet increases** you must use a heavier gauge extension cable. Using extension cables with inadequately sized wire causes a serious drop in voltage, resulting in loss of power and possible tool damage.

**d) The smaller the gauge number of the wire** the greater the capacity of the cord.

**f) When using a cable reel**, always unwind the cable completely.

# SYMBOLS AND POWER RATING CHART



**Danger! – Read the operating instructions to reduce the risk of injury.**



**Caution! Wear safety goggles.**



**Caution! Wear ear defenders.**



**Caution! Risk of Injury! Do not reach into the running saw blade.**



**Caution! Wear a dust mask.**

# MACHINE DETAILS AND PRODUCT FEATURES

## Machine Details

### Specifications:

Mains Voltage -	230V / 50Hz
Power Consumption -	250W(S2 30mins)
No load Speed -	2850rpm
Wheel Diameter -	150mm
Wheel Width -	20mm
Bore Diameter -	12.7mm
Wheel Grits -	36(Coarse) 60(Medium)
Gross Weight -	9.10kg
Nett Weight -	8.10kg

### Package Contents:

Bench grinder

### Intended Use

This power tool is intended for:

- Sharpening Drill Bits
- Sharpening blades
- Sharpening chisels and flat screws
- Removing rust and corrosion

Any other use is considered as not intended use and any damages or injuries result from this unintended use is at operators own risk.

This item is also not intended to be used for continuous production or production line use.

### Product Features

1. LED light
2. Spark Shield Holder
3. Wheel guard cover
4. Fine grinding wheel
5. Spark Shield
6. ON/OFF switch
7. Work rest knob
8. Work rest





# ASSEMBLY INSTRUCTIONS

## Assembly

**Avoid unintentional starting of the machine. During assembly and for all work on the machine, the power plug must not be connected to the mains supply.**

Carefully remove all parts included in the delivery from their packaging.

Remove all packaging material from the machine and the accessories provided.

Before starting the operation of the machine for the first time, check if all parts listed in the box content section have been supplied

**Note:** Check the power tool for possible damage. Before further use of the machine, check that all protective devices are fully functional. Any lightly damaged parts must be carefully checked to ensure flawless operation of the tool. All parts must be properly mounted and all conditions fulfilled that ensure faultless operation.

Damaged protective devices and parts must be immediately replaced by an authorised service centre.

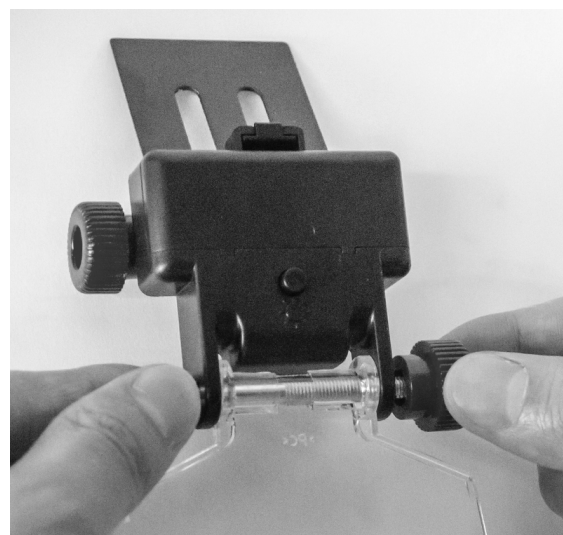
### **Assembling & Attaching spark shield to spark deflector with LED**

- Hold the bolt and rotate the spark shield knob counterclockwise to loosen.
- Remove the bolt and spark shield knob.
- Place spark shield onto spark deflector with LED assembly. Align the holes in the spark shield with the holes in the spark deflector with LED assembly.

- Install bolt through the holes in the spark deflector with LED assembly and spark shield.

**NOTE:** Orientate the bolt so that the head of the bolt sits in the recessed area of the spark shield.

- Reinstall spark shield knob onto the bolt. Tighten securely.

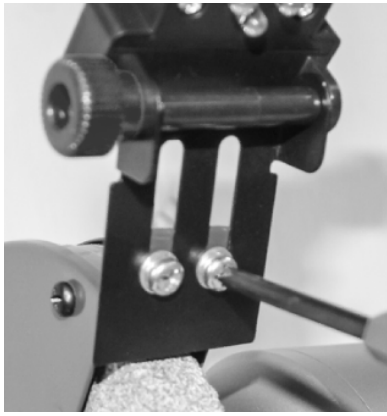


### **Mounting spark shield assembly**

- Attach the spark shield assembly to the wheel guard using two screws, washers, and lock washers.
- Tighten screw securely.
- Repeat above steps for the second spark shield assembly.

**NOTE:** The spark shield assemblies can be installed on either side of the tool. For detailed grinding, it's recommended to place the spark shield with magnifier on the right side above the finer wheel.

# ASSEMBLY INSTRUCTIONS



## Mounting work rests

– Unscrew and remove the work rest knob from the carriage bolt.

– Attach the right work rest to the inside of the wheel guard as shown.

NOTE: As the diameter of the wheel decreases with use, adjust the distance between the wheel and the right work rest to maintain 1/16 in. or less separation.

– Tighten work rest knob securely.

– Repeat above steps for the left work rest.



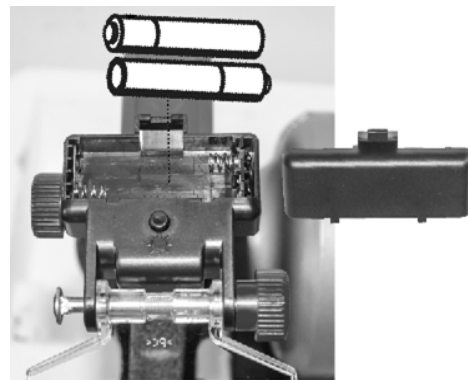
## INSTALLING/REMOVING BATTERIES

Always turn the on/off switch to the OFF position when installing batteries.

– Remove battery covers from the spark shield assemblies.

– Install AAA batteries according to the polarity indicators (+ or -) inside the battery compartments.

– Replace and secure the battery covers.



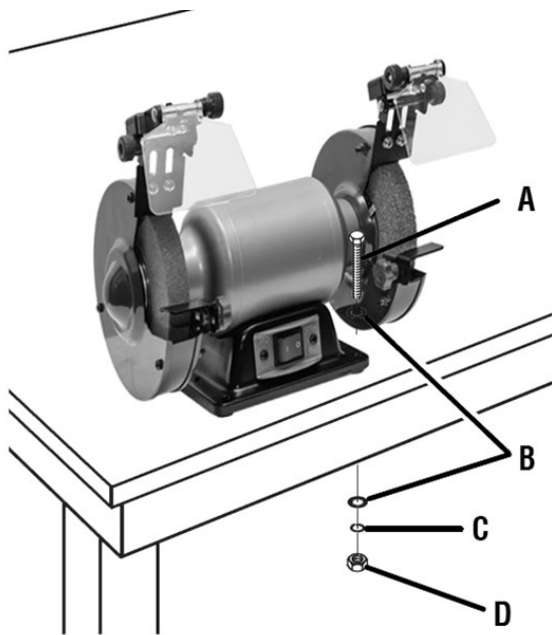
## Mounting grinder to workbench

The bench grinder must be mounted to a firm supporting surface such as a workbench or leg stand. Four bolt holes have been provided in the tool's base for this purpose. Each of the four mounting holes should be bolted securely using machine bolts, lock washers, and hex nuts (not included). Bolts should be of sufficient length to accommodate the saw base, lock washers, hex nuts, and the thickness of the workbench. Tighten all four bolts securely.

# ASSEMBLY INSTRUCTIONS/OPERATION

Carefully check the workbench after mounting to make sure that no movement can occur during use. If any tipping, sliding, or walking is noted, secure the workbench to the floor before operating.

**WARNING:** Always make sure your bench grinder is securely mounted to a workbench. Failure to do so could result in an accident resulting in possible injury.



- A - Bolt
- B - Washers
- C - Lock washer
- D - Hex nut

## Operation

**Warning:** Do not allow familiarity with tools to make you careless remember that a careless fraction of a second is sufficient to inflict serious injury.

Always wear eye protection with side shields marked to comply . Failure to do so could result in objects being thrown into your eyes, resulting in possible serious injury.

Do not use any attachments or accessories not recommended can result in serious personal injury.

Do not use wheels rated less than the speed of this tool. Failure to heed this warning could result in personal injury.

**CAUTION:** Excessive pressure on a cold wheel may cause the wheel to crack.

**NOTICE:** Never sharpen or grind anything made of aluminium, brass, or copper.

# OPERATION & MAINTENANCE AND SERVICE

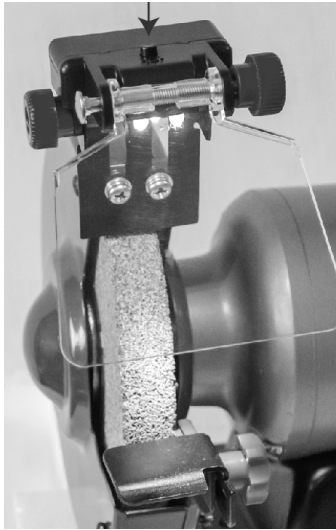
## APPLICATIONS

This product has been designed only for the purposes listed below:

- Sharpening drill bits
- Sharpening lawn mower blades
- Sharpening chisels and flat screwdrivers

## LED LIGHT SWITCH

Use the LED light switch on top of the spark shield assembly to turn the lights on and off.



## BASIC OPERATION

To be efficient and work as designed, your tools should be kept sharp. Dull tools can and will cause accidents. Bench grinders are ideal for sharpening tools such as chisels, scissors, etc., and for removing rust or corrosion. Grinders remove material rapidly so pressure is the key to efficient grinding.

The proper way to sharpen a tool and avoid overheating is:

- Keep the object in constant motion, moving it at an even pace.
- Never force a tool against the grinding wheel.
- Keep the tool cool by using a pan of water.
- The grinding wheel should rotate “into” the object being sharpened.

**NOTE:** Excessive pressure may damage the tool, cause the motor to overheat, and prematurely wear down the grinding wheel.

## ON/OFF SWITCH

The bench grinder features a front access on/off switch for convenience and safety.

## SHARPENING TWIST DRILL BITS

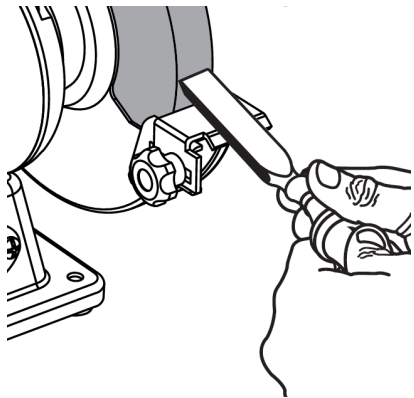
Drill bits are best sharpened on a sharpening jig (available at most hardware stores). Begin on one side of the point at the existing angle, then twist the bit while maintaining contact with the grinding surface. Sharpen only the tip.

This technique requires considerable practice, so take your time and make a few “dry runs” first with the grinder off. Be sure to maintain the original cutting edge angle as this is important to the efficiency of your bits.



## Sharpening chisels and screwdriver blades

When sharpening chisels and screwdrivers, work rest should support the chisel at the correct angle against the wheel.



## Maintenance and Service

### Maintenance and Cleaning

**WARNING:** When servicing, use only identical replacement parts. Use of any other parts could create a hazard or cause product damage.

**WARNING:** Always wear eye protection with side shields marked to comply. Failure to do so could result in objects being thrown into your eyes resulting in possible serious injury.

### GENERAL MAINTENANCE

Avoid using solvents when cleaning plastic parts. Most plastics are susceptible to damage from various types of commercial solvents and may be damaged by their use. Use clean cloths to remove dirt, dust, oil, grease, etc.

**WARNING:** Do not at any time let brake fluids, fuel, petroleum based products, penetrating oils, etc., come in contact with plastic parts. Chemicals can damage, weaken or destroy plastic which could result in serious personal injury.

### Lubrication

All of the bearings in this tool are lubricated with a sufficient amount of high grade lubricant for the life of the unit under normal operating conditions. Therefore, no further lubrication is required.

### Power supply cord replacement

If replacement of the power supply cord is necessary, this must be done by an authorized service centre in order to avoid a safety hazard.



# MAINTENANCE AND SERVICE

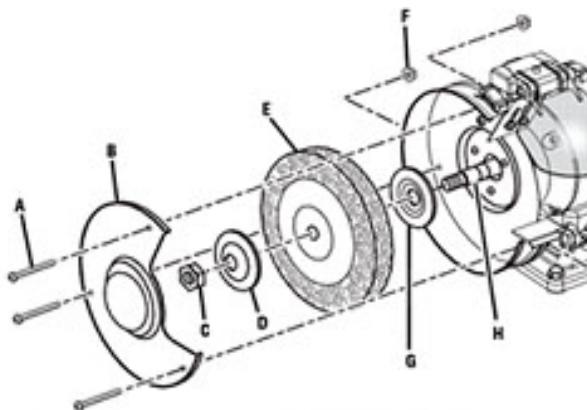
## WHEEL REPLACEMENT

If you must replace a grinding wheel, be sure to obtain one with a safe rated speed at least as high as the “no load speed” RPM marked on the data plate of the grinder and which is marked to comply.

### To replace the grinding wheel:

- Unplug the grinder.
- Remove the flange nuts and screws securing the wheel guard cover.
- Remove the wheel guard cover.
- Loosen the wheel nut in a clockwise direction for the left side and a counter-clockwise direction for the right side.
- Remove the outer flange and grinding wheel.
- To install a new grinding wheel, reverse the above procedure.

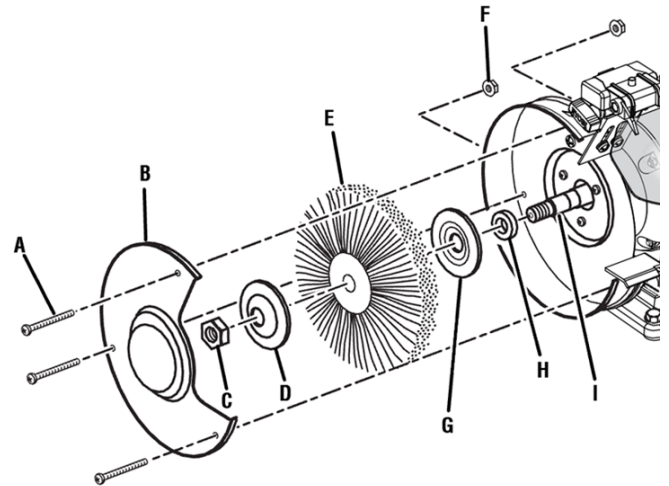
NOTE: Be sure the grinding wheel and outer flange are properly seated on the spindle shaft.



- |                       |                    |
|-----------------------|--------------------|
| A - Screws            | E - Grinding wheel |
| B - Wheel guard cover | F - Flange nut     |
| C - Wheel nut         | G - Inner flange   |
| D - Outer flange      | H - Spacer         |
|                       | I - Spindle shaft  |

## INSTALLING WIRE WHEEL (NOT INCLUDED)

When replacing the grinding wheel with a wire wheel, it is necessary to place a spacer on the spindle shaft. Before installing the inner flange, wheel, outer flange, and wheel nut.



- |                       |                   |
|-----------------------|-------------------|
| A - Screws            | E - Wire wheel    |
| B - Wheel guard cover | F - Flange nut    |
| C - Wheel nut         | G - Inner flange  |
| D - Outer flange      | H - Spacer        |
|                       | I - Spindle shaft |

# LUMBERJACK GUARANTEE

## 1. Guarantee

**1.1** Lumberjack guarantees that for a period of 12 months from the date of purchase the components of qualifying products (see clauses 1.2.1 to 1.2.8) will be free from defects caused by faulty construction or manufacture.

**1.2.** During this period Lumberjack, will repair or replace free of charge any parts which are proved to be faulty in accordance with paragraph 1.1 providing that:

**1.2.1** You follow the claims procedure set out in clause 2

**1.2.2** Lumberjack and its authorised dealers are given reasonable opportunity after receiving notice of the claim to examine the product

**1.2.3** If asked to do so by Lumberjack or its Authorised dealer, you return the product at your own cost to Lumberjack's or supplying Authorised Dealer's premises, for the examination to take place clearly stating the Returns Material Authorisation number given by Lumberjack or an Authorised Dealer.

**1.2.4** The fault in question is not caused by industrial use, accidental damage, fair wear and tear, wilful damage, neglect, incorrect electrical connection, misuse, or alteration or repair of the product without approval.

**1.2.5** The product has been used in a domestic environment only

**1.2.6** The fault does not relate to consumable items such as blades, bearings, drive belts, or other wearing parts which can reasonably be expected to wear at different rates depending on usage.

**1.2.7** The product has not been used for hire purposes.

**1.2.8** The product has been purchased by you as the guarantee is not transferable from a private sale.

## 2. Claims Procedure

**2.1** In the first instance please contact the Authorised Dealer who supplied the product to you. In our experience many initial problems with machines that are thought to be faulty due to faulty parts are actually solved by correct setting up or adjustment of the machine. A good Authorised Dealer should be able to resolve the majority of these issues much more quickly than processing a claim under the guarantee. If a return is requested by the Authorised Dealer or Lumberjack, you will be provided with a Returns Material Authorisation number which must be clearly stated on the returned package, and any accompanying correspondence. Failure to provide a Returns Material Authorisation number may result in item being refused delivery at Authorised Dealer.

**2.2** Any issues with the product resulting in a potential claim under the guarantee must be reported to the Authorised Dealer from which it was purchased within 48 hours of Receipt.

**2.3** If the Authorised Dealer who supplied the product to you has been unable to satisfy your query, any claims made under this Guarantee should be made directly to Lumberjack. The Claim itself should be made in a letter setting out the date and place of purchase, giving a brief explanation of the problem which has led to the claim. This letter should be then sent with proof

# LUMBERJACK GUARANTEE

of purchase to Lumberjack. If you include a contact number with this it will speed your claim up.

**2.4** Please note that it is essential that the letter of claim reaches Lumberjack on the last day of this Guarantee at the latest. Late claims will not be considered.

## **3. Limitation of Liability**

**3.1** We only supply products for domestic and private use. You agree not to use the product for any commercial, business or resale purposes and we have no liability to you for any loss of profit, loss of business, business interruption or loss of business opportunity.

**3.2** This Guarantee does not confer any rights other than these expressly set out above and does not cover any claims for consequential loss or damage. This Guarantee is offered as an extra benefit and does not affect your statutory rights as a consumer.

## **4. Notice**

This Guarantee applies to all product purchased from an Authorised Dealer of Lumberjack within the United Kingdom. Terms of Guarantee may vary in other countries.



## CE DECLARATION OF CONFORMITY

### TOOLSAVE

Unit C, Manders Ind. Est.,  
Old Heath Road, Wolverhampton,  
WV1 2RP.  
Tel: 01902 450 470

**Declares that the Bench Grinder(BG250)**

**Is in compliance with the regulations included in the Directives:2006/95/EC**

## EC DECLARATION OF CONFORMITY

Certificate for EC-type examination delivered by Intertek Testing Services Ltd.,Shanghai,ETL Semko  
Building No.86,1198 Qinzhou Road(North),Caohejing Development Zone,Shanghai 200233,China.

(Verification No.:xxxxxxxxxx)

**Person who declares: Bill Evans**

---

**CE**

25/08/2020

The Director



# Parts List

No.	Description	No.	Description
1	HEX BOLT	30	Right Guard
2	Eyeshield	31	60# Wheel $\Phi$ 150X20X $\Phi$ 12.7
3	Eyeshield Lock Nut	32	I type Hex Nut
4	Phillips Screw spring washer +flat washer Assembly	33	Right Guard Cover
5	Eyeshield mount rod	34	Steel base
6	"TZ" type phillips screw	35	Switch base
7	Left Guard Cover	36	Switch
8	I type Hex Nut	37	Phillips Screw spring washer Assembly
9	Wheel Flange	38	Capacitor
10	36#Wheel $\Phi$ 150X20X $\Phi$ 12.7	39	Galvanized Base plate
11	Phillips Screw spring washer Assembly	40	Phillips Screw flat washer Assembly
12	Left Work rest	41	Rubber foot
13	Left Guard	42	Cushion covers
14	Nut	43	Tapping screw
15	HEX BOLT	44	Light cover
16	Work Rest Lock knob	45	Round head screw
17	Phillips Screw flat washer Assembly	46	LED Box
18	End cap	47	AAA battery
19	Wavy washer	48	Battery Cover
20	Stator	49	Wheel label
21	Toothed Locking washer	50	Brand
22	Phillips Screw spring washer +flat washer Assembly	51	Nut
23	Cable Grommet	52	Phillips Screw
24	Ball bearing	53	Phillips Screw
25	Rotor	54	Strain Relief
26	Rubber sheath	55	Strain Relief cover
27	Cord & Plug	56	Capacitor holder
28	Nut	57	I type Hex Nut
29	Right Work Rest	58	Standard spring washer

# Parts Diagram

