



ORIGINAL INSTRUCTIONS

TABLE OF CONTENTS

Welcome to Lumberjack!

Dear Customer, Congratulations on your purchase. Before using the product for the first time please be sure to read these instructions for use.

They provide you with all information necessary for using the product safely and to ensure its long service life.

Closely observe all safety information in these instructions!

General Power Tool Safety Warnings.....	01
Symbols & Cable Rating Chart	05
Machine Details and Product Features.....	06
Assembly.....	8-7
Operation, Maintenance and Service.....	9-10
Lumberjack Guarantee.....	11-12
Declaration of Conformity.....	11
Parts List.....	14
Parts Diagram.....	15

GENERAL POWER TOOL SAFETY WARNINGS

WARNING Read all safety warnings and all instructions. Failure to follow the warnings and instructions may result in electric shock, fire and/or serious injury.

Save all warnings and instructions for future reference. The term "power tool" in the warnings refers to your electric (corded) power tool or battery-operated (cordless) power tool.

1. Work area safety

a) Keep work area clean and well lit. Cluttered or dark areas invite accidents.

b) Do not operate power tools in explosive atmospheres, such as in the presence of flammable liquids, gases or dust. Power tools create sparks which may ignite the dust or fumes.

c) Keep children and bystanders away while operating a power tool. Distractions can cause you to lose control.

2. Electrical safety

a) Power tool plugs must match the outlet. Never modify the plug in any way. Do not use any adapter plugs with grounded power tools. Unmodified plugs and matching outlets will reduce risk of electric shock.

b) Avoid body contact with grounded surfaces, such as pipes, radiators, ranges and refrigerators. There is an increased risk of electric shock if your body is grounded.

c) Do not expose power tools to rain or wet conditions. Water entering a power tool will increase the risk of electric shock.

d) Do not abuse the cord. Never use the cord for carrying, pulling or unplugging the power tool. Keep cord away from heat, oil, sharp edges or moving parts. Damaged or entangled cords increase the risk of electric shock.

e) When operating a power tool outdoors, use an extension cord suitable for outdoor use. Use of a cord suitable for outdoor use reduces the risk of electric shock.

f) If operating a power tool in a damp location is unavoidable, use a residual current device (RCD) protected supply. Use of an RCD reduces the risk of electric shock.

3. Personal safety

a) Stay alert, watch what you are doing and use common sense when operating a power tool. Do not use a power tool while you are tired or under the influence of drugs, alcohol or medication. A moment of inattention while operating power tools may result in serious personal injury.

b) Use personal protective equipment. Always wear eye protection. Protective equipment such as dust mask, non-skid safety shoes, hard hat, or hearing protection used for appropriate conditions will reduce personal injuries.

c) Prevent unintentional starting. Ensure the switch is in the off position before connecting to power source and/or battery pack, picking up or carrying the tool. Carrying power tools with your finger on the switch or energising power tools that have the switch on invites accidents.

d) Remove any adjusting key or wrench before turning the power tool on. A wrench or a key left attached to a rotating part of the power tool may result in personal injury.

GENERAL POWER TOOL SAFETY WARNINGS

e) Do not overreach. Keep proper footing and balance at all times. This enables better control of the power tool in unexpected situations.

f) Dress properly. Do not wear loose clothing or jewellery. Keep your hair, clothing and gloves away from moving parts. Loose clothes, jewellery or long hair can be caught in moving parts.

g) If devices are provided for the connection of dust extraction and collection facilities, ensure these are connected and properly used. Use of dust collection can reduce dust-related hazards.

4. Power tool use and care

a) Do not force the power tool. Use the correct power tool for your application. The correct power tool will do the job better and safer at the rate for which it was designed.

b) Do not use the power tool if the switch does not turn it on and off. Any power tool that cannot be controlled with the switch is dangerous and must be repaired.

c) Disconnect the plug from the power source and/or the battery pack from the power tool before making any adjustments, changing accessories, or storing power tools. Such preventive safety measures reduce the risk of starting the power tool accidentally.

d) Store idle power tools out of the reach of children and do not allow persons unfamiliar with the power tool or these instructions to operate the power tool. Power tools are dangerous in the hands of untrained users.

e) Maintain power tools. Check for misalignment or binding of moving parts, breakage of parts and any other condition that may affect the power tool's operation. If damaged, have the power tool repaired before use. Many accidents are caused by poorly maintained power tools.

f) Keep cutting tools sharp and clean. Properly maintained cutting tools with sharp cutting edges are less likely to bind and are easier to control.

g) Use the power tool, accessories and tool bits etc. in accordance with these instructions, taking into account the working conditions and the work to be performed. Use of the power tool for operations different from those intended could result in a hazardous situation.

5. Service

a) Have your power tool serviced by a qualified repair person using only identical replacement parts. This will ensure that the safety of the power tool is maintained.

b) If the replacement of the supply cord is necessary, this has to be done by the manufacturer or its agent in order to avoid a safety hazard.

GENERAL POWER TOOL SAFETY WARNINGS

6 Additional Warnings for Bench Grinder

a) Firmly bolt the grinder to a work bench or leg stand at approximately hip height.

b) Never reach to pick up a workpiece, a piece of scrap, or anything else that is in or near the grinding path of the wheel.

c) Avoid awkward operations and hand positions where a sudden slip could cause your hand to move into the wheel. Always make sure you have good balance.

d) Never stand or have any part of your body in line with the path of the wheel.

e) Do not turn the motor switch on and off rapidly. This could cause the wheel to loosen and could create a hazard. Should this ever occur, stand clear and allow the wheel to come to a complete stop. Disconnect your grinder from the power supply and securely retighten the wheel nut.

f) Use only flanges furnished with this bench grinder.

g) If any part of this grinder is missing or should break, bend, or fail in any way, or should any electrical component fail to perform properly, shut off the power switch, remove the machine plug from the power source and have damaged, missing, or failed parts replaced before resuming operation.

h) Do not overtighten the wheel nut. Excessive tightening can cause the wheel to crack during operation.

i) Always use the grinder's wheel guards and safety shields.

j) Inspect grinding wheel for visible defects. Check the wheel for fissures and cracks, and test for normal operation prior to use. Replace cracked wheel immediately.

k) Adjust distance between wheel and work rest to maintain 1/16 in. or less separation as the diameter of the wheel decreases with use. The value of separation used in the marking is to be the separation recommended by the manufacturer but shall not be more than 1/8 in.

l) Always ease the workpiece against the abrasive wheel when starting to grind. A harsh impact can break the wheel. Use light pressure when starting to grind; too much pressure on a cold wheel can cause the wheel to crack.

m) Never start the grinder when the wheel is in contact with the workpiece.

n) Secure work. Always hold workpiece firmly against the work rest.

o) Do not use the bench grinder if the flange nut or clamp nut is missing or if the spindle shaft is bent.

p) Frequently clean grinding dust from beneath grinder.

q) Secure long hair so it is above shoulder level to prevent entanglement in any rotating parts.

r) Stay alert and exercise control. Watch what you are doing and use common sense. do not operate tool when you are tired. do not rush.

GENERAL POWER TOOL SAFETY WARNINGS

s) Do not touch the cut material until it cools or you can be burned.

t) If the power supply cord is damaged, it must be replaced only by the manufacturer or by an authorized service centre to avoid risk.

u) Make sure the grinder is securely mounted as described in the assembly instructions before connecting the tool to a power supply.

w) Save these instructions. Refer to them frequently and use to instruct other users. If you loan someone this tool, loan them these instructions also.

7. Using an Extension Cable.

a) If an extension cable is required, use an approved triple core extension cable suitable for the power input of the tool.

b) Grounded tools always require a three wire extension cable.

c) As the distance from the supply outlet increases you must use a heavier gauge extension cable. Using extension cables with inadequately sized wire causes a serious drop in voltage, resulting in loss of power and possible tool damage.

d) The smaller the gauge number of the wire the greater the capacity of the cord.

f) When using a cable reel, always unwind the cable completely.

SYMBOLS AND POWER RATING CHART



Danger! – Read the operating instructions to reduce the risk of injury.



Caution! Wear safety goggles.



Caution! Wear ear defenders.



Caution! Risk of Injury! Do not reach into the running saw blade.



Caution! Wear a dust mask.

MACHINE DETAILS AND PRODUCT FEATURES

Machine Details

Specifications:

Mains Voltage - 230V / 50Hz
Power Consumption - 550W
No load Speed - 2850rpm
Axle Diameter- 16mm
Stone Diameter - 200 x 25 x 50mm

Gross Weight - 16kg

Nett Weight - 15.2kg

Package Includes:

2 x Stones
Work Light

L_{pA} sound pressure level 86 dB(A)
 K_{pA} uncertainty3 dB
 L_{WA} sound power level...96 dB(A)
 K_{WA} uncertainty3 dB

Load factor:

A load factor of S2 30 min (intermittent periodic duty) means that you may operate the motor continuously at its nominal power level (370/550 W) for no longer than 30 minutes ON period. If you fail to observe this time limit the motor will overheat. During the OFF period the motor will cool again to its starting temperature. Sound and vibration
Sound and vibration values were measured in accordance with EN 61029.

Warning!

The specified vibration value was established in accordance with a standardised testing method. It may change according to how the electric equipment is used and may exceed the specified value in exceptional circumstances.

The specified vibration value can be used to compare the equipment with other electric power tools.

The specified vibration value can be used for initial assessment of a harmful effect.

ASSEMBLY INSTRUCTIONS

Fig. 1

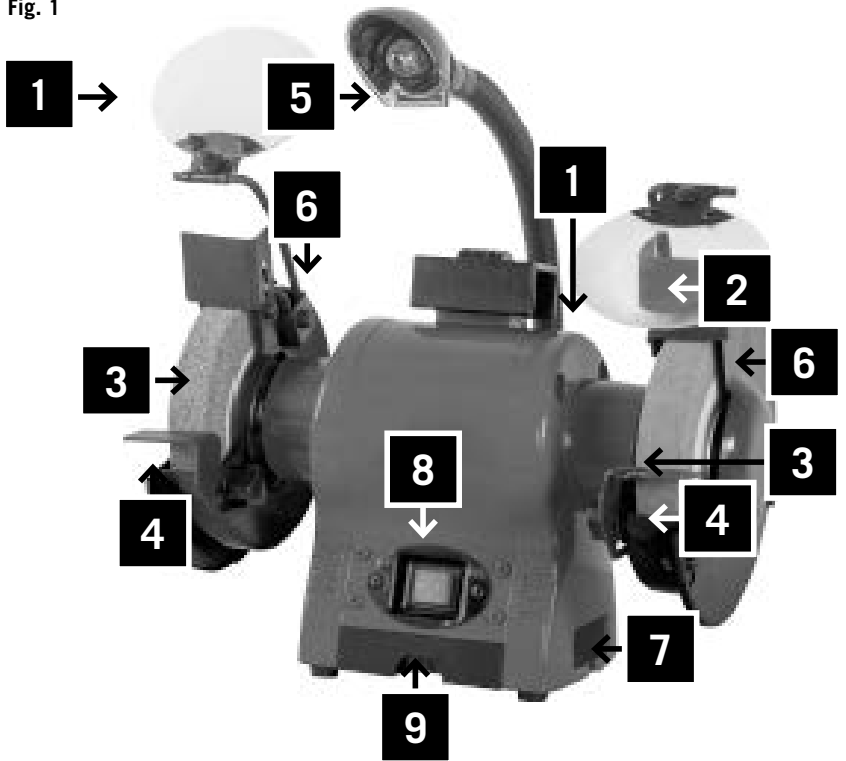


Fig. 2

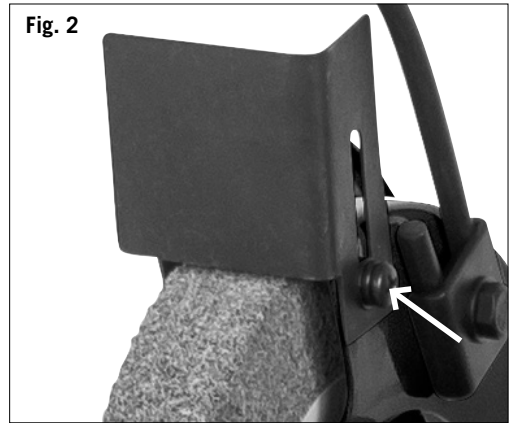


Fig. 3

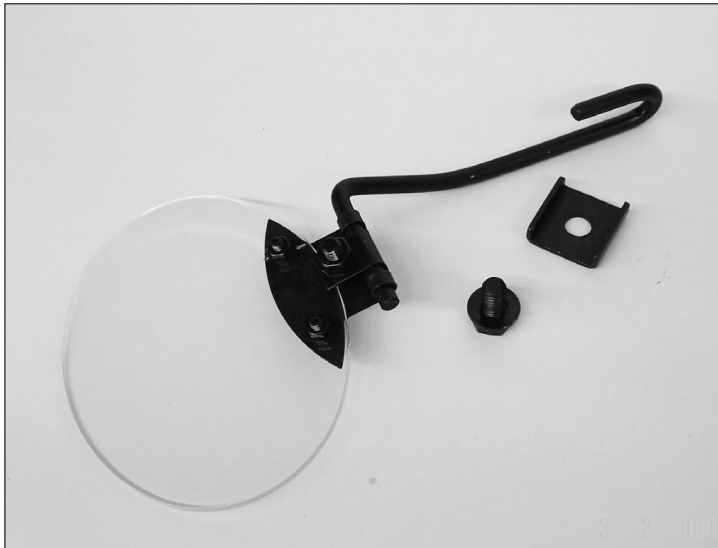


Fig. 4



ASSEMBLY INSTRUCTIONS

Assembly

Before you connect the equipment to the mains supply make sure that the data on the rating plate are identical to the mains data.

Always pull the power plug before making adjustments to the equipment. Pull the power plug before doing any maintenance or assembly work on the equipment.

- The machine must be set up so that it stands firmly, i.e. it must be securely screwed to a work bench or similar.
- All covers and safety devices have to be properly fitted before the equipment is switched on.
- The grinding wheels must rotate freely.
- Check that the voltage on the rating plate is the same as your supply voltage before you connect the equipment to the power supply.

Work Rests (Fig. 1, Nr. 4)

Install the work rest with a star grip screw and a washer to the wheel guard. The distance between wheel and work rest should not exceed 2 mm.

Spark Guards (Fig. 2)

Install the spark guard with a cross-head screw and a washer to the wheel guard. The distance to the wheel guard should not exceed 2 mm.

Wheel Guards (Fig. 3, Fig. 4)

1 Install the eye shield with 2 cross-head screw n M4, 2

washers and 2 hex nuts to the clamping plate.

2 Lead the handle into the clamping plate and fix it with a flat head screw M6, a washer and a nut.

3 Fix the complete unit to the wheel guard with U-handle, hex bolt M6 and a washer.

The guard is individually adjustable, as to protect the users eyes during grinding process.

ASSEMBLY INSTRUCTIONS/OPERATION

Operation

- To switch on the equipment set the On/Off switch (8) to position On.
- Move the On/Off switch (8) to position Off to switch off the equipment.

After switching on, wait for the equipment to reach its maximum speed of rotation. Only then should you begin with the grinding.

Work practice

- Exert only moderate pressure on the workpiece so that it can be machined at constant speed.
- Instead of accelerating your work, high pressure will cause the drive unit to slow down and even stop, thus overloading the motor.
- For your own safety, it is essential to secure small workpieces with a screw clamp or vise.

Grinding

- Place the workpiece onto the workpiece support (4) and slowly guide the workpiece towards the grinding wheel (3) at the desired angle to the point where workpiece and grinding wheel make contact.
- Move the workpiece slightly back and forth to produce an optimal grinding result. This way the grinding wheel (3) will be evenly worn. Allow the workpiece to cool down occasionally.

Important!

If the grinding wheel becomes jammed during operation, remove the workpiece and wait until the tool reaches its top speed again.

CHANGING THE GRINDING WHEELS

IMPORTANT NOTE: In order to prevent injuries from accidentally starting the machine the machine's main switch must be turned off before changing a grinding wheel. Pull power plug!

- Loosen the spark guard and the eye shield and pull out as far as possible.
- Do not remove these parts!
- Loosen work rest and pull out as far as possible.
- Disassemble screws and pull off end plate.
- Take off outside flange and the old grinding wheel, then assemble the new one.

DESPOSAL, MAINTENANCE AND SERVICE

Electrical connection

The installed electric motor is factory connected ready for operation. The connection meets the applicable VDE and DIN regulations.

The connection made by the customer as well as any extension cables used must comply with all relevant regulations.

Connection and repair work on the electric equipment must be carried out by a qualified technician only.

Disposal and recycling

The equipment is supplied in packaging to prevent it from being damaged in transit. The raw materials in this packaging can be reused or recycled. The equipment and its accessories are made of various types of material, such as metal and plastic. Never place defective equipment in your household refuse. The equipment should be taken to a suitable collection centre for proper disposal. If you do not know the whereabouts of such a collection point, you should ask in your local council offices.

Maintenance and Service

Maintenance and Cleaning

WARNING: When servicing, use only identical replacement parts. Use of any other parts could create a hazard or cause product damage.

WARNING: Always wear eye protection with side shields marked to comply. Failure to do so could result in objects being thrown into your eyes resulting in possible serious injury.

GENERAL MAINTENANCE

Avoid using solvents when cleaning plastic parts. Most plastics are susceptible to damage from various types of commercial solvents and may be damaged by their use. Use clean cloths to remove dirt, dust, oil, grease, etc.

WARNING: Do not at anytime let brake fluids, fuel, petroleum based products, penetrating oils, etc., come in contact with plastic parts. Chemicals can damage, weaken or destroy plastic which could result in serious personal injury.

Lubrication

All of the bearings in this tool are lubricated with a sufficient amount of high grade lubricant for the life of the unit under normal operating conditions. Therefore, no further lubrication is required.

Power supply cord replacement

If replacement of the power supply cord is necessary, this must be done by an authorised service centre in order to avoid a safety hazard.

LUMBERJACK GUARANTEE

1. Guarantee

1.1 Lumberjack guarantees that for a period of 12 months from the date of purchase the components of qualifying products (see clauses 1.2.1 to 1.2.8) will be free from defects caused by faulty construction or manufacture.

1.2. During this period Lumberjack, will repair or replace free of charge any parts which are proved to be faulty in accordance with paragraph 1.1 providing that:

1.2.1 You follow the claims procedure set out in clause 2

1.2.2 Lumberjack and its authorised dealers are given reasonable opportunity after receiving notice of the claim to examine the product

1.2.3 If asked to do so by Lumberjack or its Authorised dealer, you return the product at your own cost to Lumberjack's or supplying Authorised Dealer's premises, for the examination to take place clearly stating the Returns Material Authorisation number given by Lumberjack or an Authorised Dealer.

1.2.4 The fault in question is not caused by industrial use, accidental damage, fair wear and tear, wilful damage, neglect, incorrect electrical connection, misuse, or alteration or repair of the product without approval.

1.2.5 The product has been used in a domestic environment only

1.2.6 The fault does not relate to consumable items such as blades, bearings, drive belts, or other wearing parts which can reasonably be expected to wear at different rates depending on usage.

1.2.7 The product has not been used for hire purposes.

1.2.8 The product has been purchased by you as the guarantee is not transferable from a private sale.

2. Claims Procedure

2.1 In the first instance please contact the Authorised Dealer who supplied the product to you. In our experience many initial problems with machines that are thought to be faulty due to faulty parts are actually solved by correct setting up or adjustment of the machine. A good Authorised Dealer should be able to resolve the majority of these issues much more quickly than processing a claim under the guarantee. If a return is requested by the Authorised Dealer or Lumberjack, you will be provided with a Returns Material Authorisation number which must be clearly stated on the returned package, and any accompanying correspondence. Failure to provide a Returns Material Authorisation number may result in item being refused delivery at Authorised Dealer.

2.2 Any issues with the product resulting in a potential claim under the guarantee must be reported to the Authorised Dealer from which it was purchased within 48 hours of Receipt.

2.3 If the Authorised Dealer who supplied the product to you has been unable to satisfy your query, any claims made under this Guarantee should be made directly to Lumberjack. The Claim itself should be made in a letter setting out the date and place of purchase, giving a brief explanation of the problem which has led to the claim. This letter should be then sent with proof

LUMBERJACK GUARANTEE

of purchase to Lumberjack. If you include a contact number with this it will speed your claim up.

2.4 Please note that it is essential that the letter of claim reaches Lumberjack on the last day of this Guarantee at the latest. Late claims will not be considered.

3. Limitation of Liability

3.1 We only supply products for domestic and private use. You agree not to use the product for any commercial, business or resale purposes and we have no liability to you for any loss of profit, loss of business, business interruption or loss of business opportunity.

3.2 This Guarantee does not confer any rights other than these expressly set out above and does not cover any claims for consequential loss or damage. This Guarantee is offered as an extra benefit and does not affect your statutory rights as a consumer.

4. Notice

This Guarantee applies to all product purchased from an Authorised Dealer of Lumberjack within the United Kingdom. Terms of Guarantee may vary in other countries.

CE DECLARATION OF CONFORMITY

TOOLSAVE

Unit C, Manders Ind. Est.,
Old Heath Road, Wolverhampton,
WV1 2RP.

Tel: 01902 450 470

Declares that the **200mm Bench Grinder (BG200)**
is in compliance with the regulations included in the Directives:2006/95/EC

EC DECLARATION OF CONFORMITY

Certificate for EC-type examination delivered by Intertek Testing Services Ltd.,Shanghai,ETL Semko
Building No.86,1198 Qinzhou Road(North),Caohejing Development Zone,Shanghai 200233,China.

(Verification No.:xxxxxxxxxx)

Person who declares: Bill Evans



25/08/2020

The Director

A handwritten signature in black ink, appearing to be 'Bill Evans', written over a light grey rectangular background.

Parts List

Part No.	Description
1	
2	
3	
4	
5	
6	
7	
8	
9	
10	
11	
12	
13	
14	
15	
16	
17	
18	
19	
20	
21	
22	
23	
24	
25	
26	
27	
28	
29	
30	
31	
32	
33	
34	
35	
36	
37	
38	
39	
40	
41	
42	
43	
44	

Part No.	Description
45	
46	
47	
48	
49	
50	
51	
52	
53	
54	
55	
56	
57	
58	
59	
60	
61	
62	
63	
64	
65	
66	
67	
68	
69	

Parts Diagram

