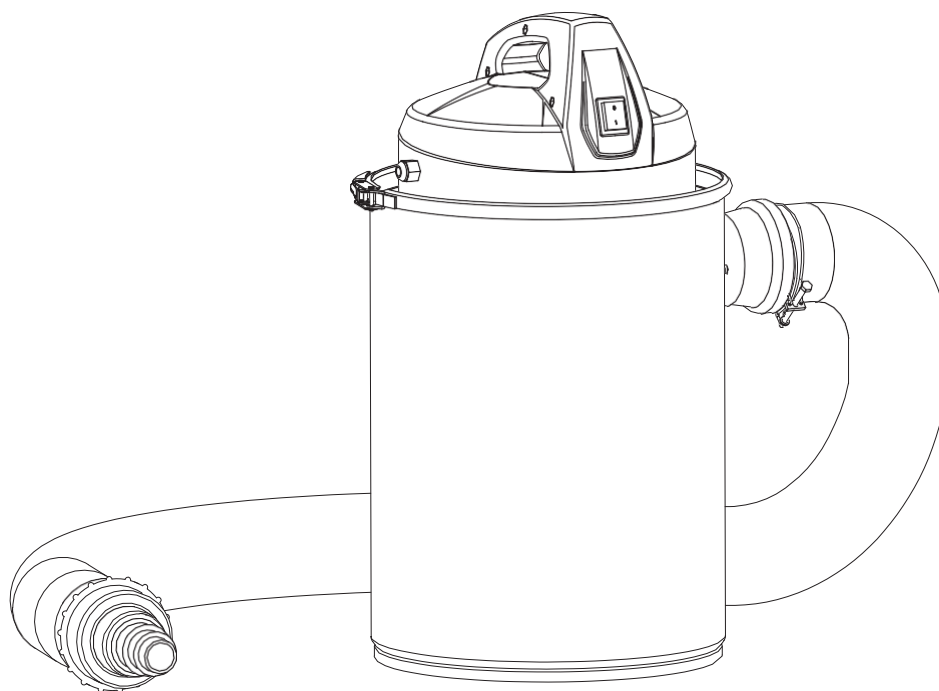




LUMBER JACK



BDE1100 **Dust Collector**

ORIGINAL INSTRUCTIONS

160120 version 1

TABLE OF CONTENTS

Introduction	2
Application Conditions	2
Specifications	2
Symbols	3
Safety	3
General Safety Rules	3
Specific Safety Rules	5
Contents Supplied	7
Assembly	8
Know your Machine	9
Features & Controls	9
Operation	10
Maintenance	10
Transport	11
Storage	11
Trouble Shooting	12
Parts Schedule	14
Parts List	15

INTRODUCTION

Your new Dust Collector will more than satisfy your expectations. It has been manufactured under stringent quality standards to meet superior performance criteria. You will find it easy and safe to operate. With proper care, it will give you many years of dependable service.



Carefully read through this entire operator's manual before using your new Dust Collector. Take special care to heed the cautions and warnings.

APPLICATION CONDITIONS

This Dust Collector is designed for operating under ambient temperatures between +5°C and 40°C and for installation at altitudes no more than 1000m above M.S.L. The surrounding humidity should be less than 50% and 40°C. It can be stored or transported under ambient temperatures between -25°C and 55°C.

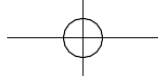
Specifications

Model	21150
Motor	230-240V ~ 50Hz
Power	1100W
Weight	10.5 kg
Flow Rate	183 m ³ /h
Intake Hose Diameter	100 mm
Hose Length	2000 mm
Tank Capacity	50L

RECYCLING AND DISPOSAL



This marking indicates that this product should not be disposed with other household wastes. To prevent possible harm to the environment or human health from uncontrolled waste disposal, recycle it responsibly to promote the sustainable reuse of material resources. To return your used device, please use the return and collection systems or check with your local authority or local stores for advice of environmental safe recycling.



SYMBOLS

The rating plate on your machine may show symbols. These represent important information about the product or instructions on its use.



Read these instructions for use carefully.



Wear eye protection.



Wear hearing protection.



Caution! Wear a breathing mask.



Wear safety shoes with non-slip soles.



Do not wear gloves.



Do not touch parts that are hot from operation.



Do not place your hand or tools near the open inlet while operating.



Caution! Keep long hair tied back. Use a hair net.



Keep visitors at a safe distance from work area. Do not let the open inlet face people while operating.



Disconnect the mains plug prior to only repair, cleaning, or maintenance of the dust collector!

SAFETY

General Safety Rules

GB

Understand your Machine

Read this manual and labels affixed to the machine to understand its limitations and potential hazards.

Be thoroughly familiar with the controls and their proper operation. Know how to stop the machine and disengage the controls quickly.

Do not attempt to operate the machine until you fully understand how to properly operate and maintain the machine and how to avoid accidental injuries and/or property damage.

If the unit is to be used by someone other than original purchaser or loaned, rented, or sold, always provide this manual and any needed safety training before operation. The user can prevent and is responsible for accidents or injuries that may occur to themselves, other people, and property.

Do not force the machine. Use the correct machine for your application. The correct machine will do the job more efficiently and safer at the rate it was designed.

Personal Safety

Do not permit children to operate this machine at any time.

Keep children, pets, and other people not using the unit away from the work area. Be alert and shut off the unit if anyone enters the work area. Keep children under the watchful care of a responsible adult.

Do not operate the machine while under the influence of drugs, alcohol, or any medication that could affect your ability to use it properly.

Dress properly. Wear heavy long trousers and, boots. Do not wear loose clothing, short pants, or jewelry of any kind. Secure long hair so it is above shoulder level. Keep your hair, clothing, away from moving parts.

Protect eyes, face, and head from objects that may be thrown from the unit. Always wear safety goggles or safety glasses with side shields when operating.

Wear appropriate hearing protection. Wear respiratory protection to avoid the risk of inhaling harmful dust.

Always keep hands and feet away from all moving parts during operation. Moving parts can cut or crush body parts.

Always keep hands and feet away from all pinch points.

Do not touch parts that might be hot from operation. Allow parts to cool before attempting to maintain, adjust, or service.

Stay alert, watch what you are doing, and use common sense when operating the machine.

Do not overreach. Do not operate the machine while barefoot or when wearing sandals or similar lightweight footwear. Wear protective footwear that will protect your feet and improve your footing on slippery surfaces. Keep proper footing and balance at all times. This enables better control of the machine in unexpected situations.

Inspect your Machine

Check your machine before starting it. Keep guards in place and in working order. Make sure all nuts, bolts, etc., are securely tightened.

Never operate the machine when it is in need of repair or is in poor mechanical condition. Replace damaged, missing, or failed parts before using it. Keep the machine in safe working condition. Regularly check to see that keys and adjusting wrenches are removed from the machine area before starting it. A wrench or a key that is left attached to a rotating part of the machine may result in personal injury. Avoid accidental starting. Be sure the motor switch is off before transporting the machine or performing any maintenance or service on the unit.

Transporting or performing maintenance or service on a machine with its switch on invites accidents. If the machine should start to vibrate abnormally, stop the motor and check immediately for the cause. Vibration is generally a warning sign of trouble.

Electric Safety

Protect yourself from electric shock. Do not plug or unplug the motor while standing in or around damp or wet ground. Do not use the unit in wet or damp areas or expose it to rain. Prevent body contact with grounded surfaces: pipes, radiators, ranges, and refrigerator enclosures. Make sure your fingers do not touch the plug's metal prongs when plugging or unplugging the unit.

Avoid inadvertent starting. Make sure that the switch is switched off when plugging the plug into an outlet.

Only use approved and appropriately identified extension cables for use outdoors. Only use cable reels in the unrolled state.

Do not use the cable for purposes for which it is not intended. Do not use the cable to pull the plug out of the outlet. Protect the cable from heat, oil and sharp edges.

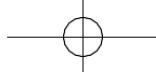
Have your electric tool repaired by a qualified electrician. This electric tool conforms to the applicable safety regulations. Repairs may only be performed by an electrician using original spare parts. Otherwise accidents can occur.

Work Area & Store Area

Keep the work area tidy. Disorder in the work area can lead to accidents.

Take environmental influences into account. Do not expose electric tools to rain. Do not use electric tools in a damp or wet environment. Make sure that the work area is well-illuminated. Do not use electric tools where there is a risk of fire or explosion.

Securely store unused electric tools. Unused electric tools should be stored in a dry, elevated or closed location out of the reach of children.



Specific Safety Rules

Intended Use

Do not force the tool or attachment to do a job for which it was not designed.

- This dust collector is designed to collect sawdust only.
- Never attempt to use this dust collector to vacuum water or any other liquids.
- Never try to use this dust collector to collect large wood pieces.
- Never attempt to use this dust collector to collect flammable or combustible dust/gas. Do not use near any flammable or combustible liquids.
- Never attempt to use this dust collector to collect anything that is burning or smoking.
- Do not use outdoors or on wet surfaces. Rain or moisture entering the dust collector motor housing/canister increases the risk of electrical shock.
- Never attempt to use this dust collector to collect metal materials such as screws, nails or other metal parts.

Please note that our equipment has not been designed for use in commercial, trade or industrial applications. Our warranty will be voided if the machine is used in commercial, trade or industrial businesses or for equivalent purposes.

Safety Instructions for the Handling of Dust Collector

- Know your tool. Learn the tool's operation, application and specific limitations.
- Disconnect the tool when changing the filter cartridge or filter bag.
- Avoid accidental start-up. Make sure that the tool is in the OFF position before plugging in.

- Do not force the tool. It will work most efficiently at the rate for which it was designed
- Leave hands free to operate the machine. Protect hands from possible injury
- Never leave the tool running unattended. Turn the power off and do not leave the tool until it comes to a complete stop.
- Do not overreach. Keep proper footing and balance.
- Never stand on the tool. Serious injury could occur if the tool is tipped over.
- Keep hands away from moving parts.
- Keep visitors at a safe distance from work area.
- Children must always be supervised in order to ensure that they do not play with the equipment.

Maintenance and Repair

- Pull out the mains plug for any adjustment or repair tasks.
- Repairs are to be carried out only by a qualified electrician using original replacement parts or the user may suffer an accident.
- Regularly inspect the filter for damage. Replace damaged filters!
- Check tightness of the casing and of the sealing of filter and filter bag regularly.
- Inspect the power cords for damage on a regular basis. Make sure that during this inspection the power cord is not connected to the mains supply.
- Have damaged switches replaced by a customer service workshop.
- Refit all guards and safety devices immediately after you have completed any repairs or maintenance work.
- Check that the moving parts are in good

GB

working order, that they do not jam, and that no parts are damaged.

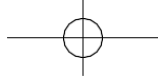
- Make sure that all parts are fitted correctly and that all other operating conditions are properly fulfilled
- Remove adjusting tools. Form a habit of checking to see adjusting tools or accessories are removed before switching the tool on.
- Faults on the machine have to be reported to the person in charge as soon as they are discovered.

Residual Risks

The manufacturer shall not be liable for any changes made to the machine nor for any damage resulting from such changes. Even when the machine is used as prescribed it is still impossible to eliminate certain residual risk factors during work.

- Wear proper apparel. Do not wear loose clothing, gloves, neckties, rings, bracelets or other jewelry which may get caught in moving parts of the tool.
- Wear protective hair covering to contain long hair.
- Wear safety shoes with non-slip soles.
- Wear approved eye protection and respirator when emptying collection canister or changing filter cartridge/bags.
- Be alert and think clearly. Never operate power tools when tired, intoxicated or when taking medications that cause drowsiness.
- There is an electrical hazard when improper electrical connecting cables are being used.
- Furthermore there might be non-obvious residual risks despite all precautions.

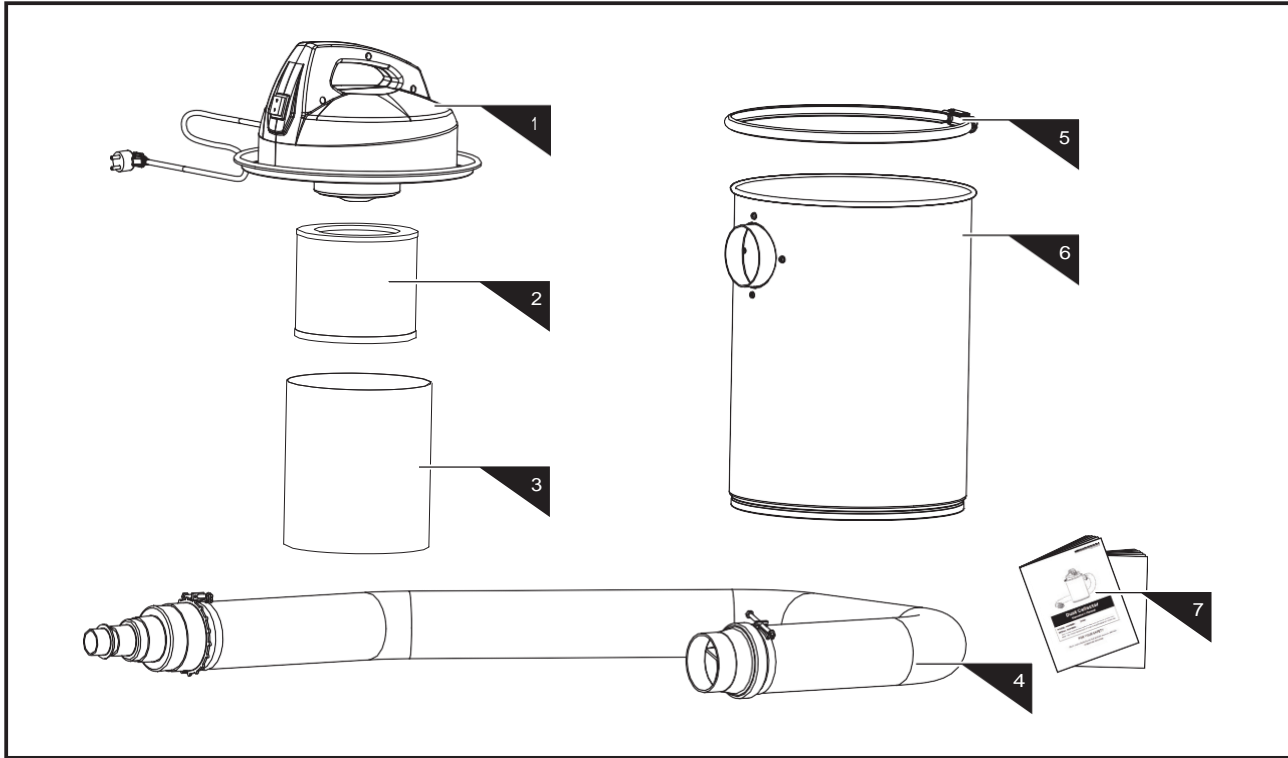
Remaining risks can be minimized by observing the "Safety Instructions" and the "Intended Use" as well as the operating instruction in their entirety.



CONTENTS SUPPLIED

GB

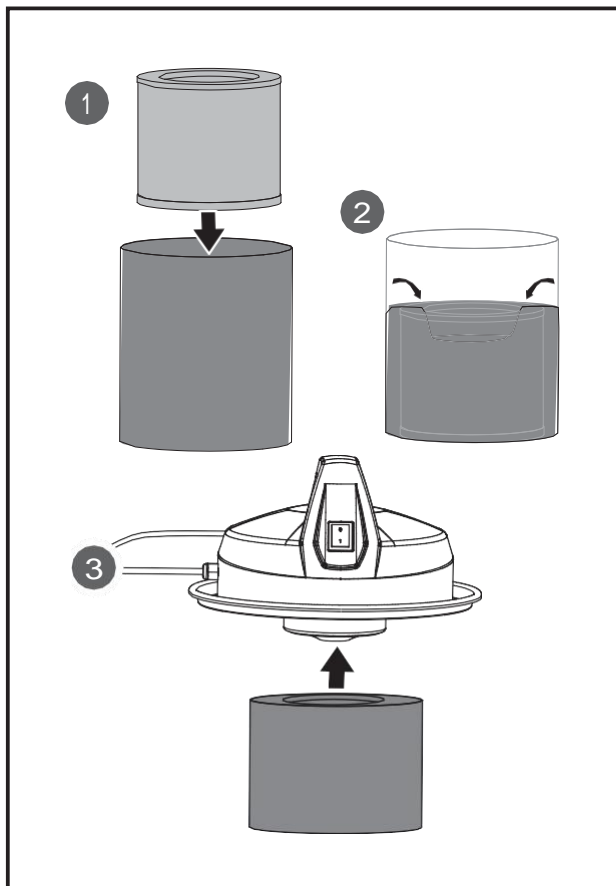
The dust collector comes partially assembled and is shipped in a carefully packed carton. After all the parts have been removed from the carton, you should have:



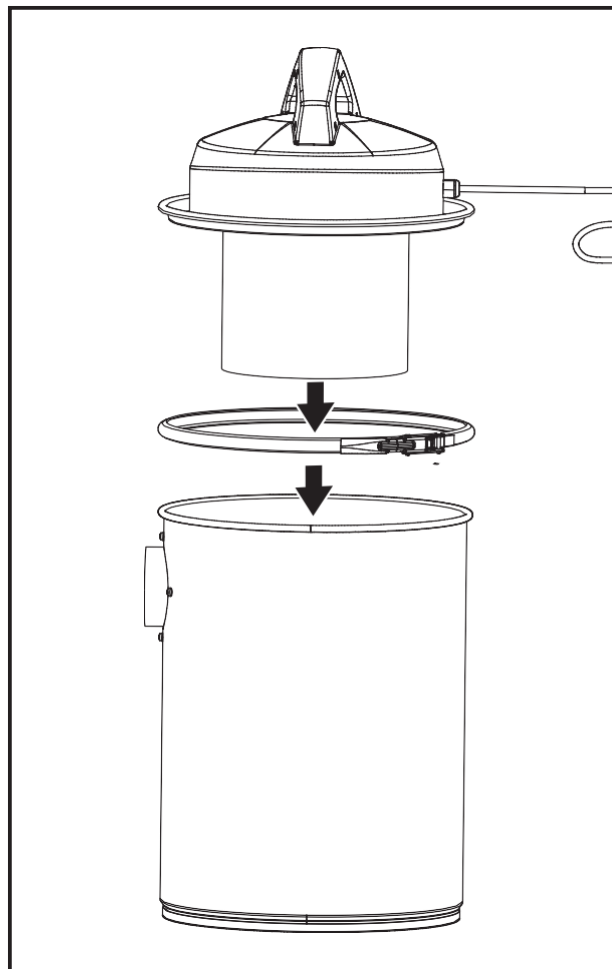
1. Motor Housing
2. Filter Cartridge
3. Filter Bag
4. Suction Hose
5. Locking Strap
6. Collection Canister
7. Operator's Manual

ASSEMBLY

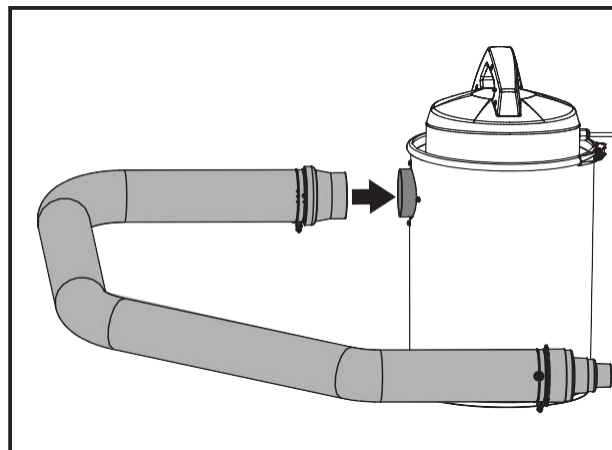
1. Place filter cartridge into filter bag.
2. Fold and tuck the top of the bag into the filter cartridge.
3. Push the filter cartridge/bag onto the motor housing.



Place the motor housing with filter cartridge/bag on to the collection canister and lock in place with the locking strap.



Plug the hose coupling onto the suction inlet. Secure it in place with the supplied hose clamp.

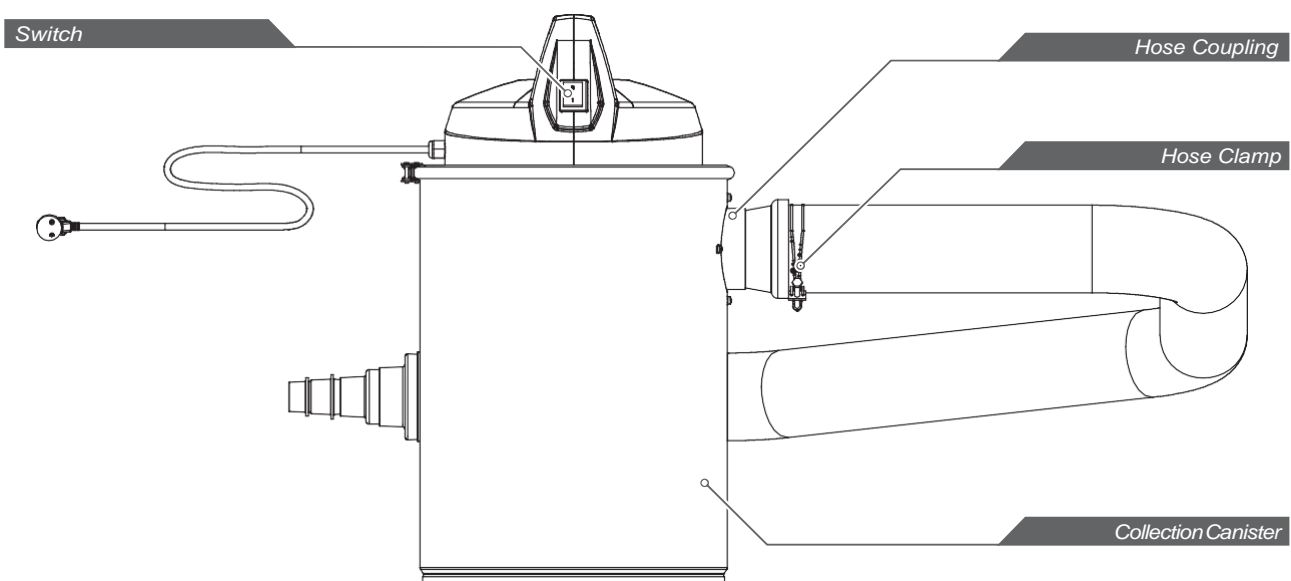
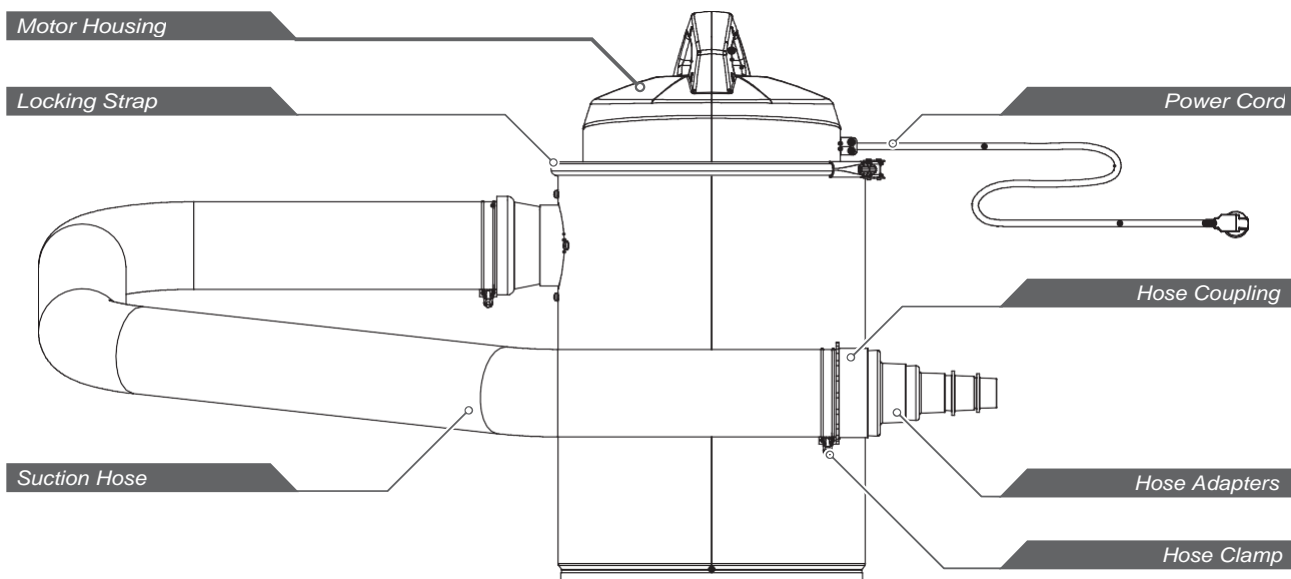




KNOW YOUR MACHINE

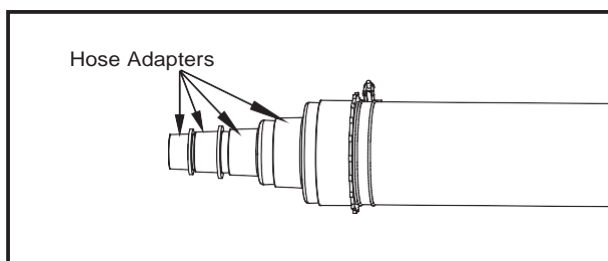
Features and Controls

GB



Before Starting

1. Place the dust collector near the dust producing machine on a flat level surface.
2. There are four hose adapters supplied. Select the hose adapter that best fits the dust producing machine outlet and attach it to the hose coupler.



3. Connect the dust collector adapter to the dust producing machine outlet. Make sure the connection is secure.
4. Make sure the machine is turned OFF.
5. Connect the dust collector's power cord to the correct power source.

To Start



Important: Turn dust collector on before starting dust producing machine.

Place the dust collector's ON/OFF switch in the ON (I) position. Turn the machine ON.

To Stop



Important: ALWAYS turn the dust producing machine OFF before turning the dust collector OFF.

Place the dust collector's ON/OFF switch in the OFF (O) position. Turn the machine OFF.



DANGER: Make sure the machine is turned off and the cord is disconnected from the power source before servicing and removing/replacing any components on the machine.

General Maintenance Measures

Pull the mains plug out before any adjustments, maintenance or repair. Have any work on the device that is not described in this instruction guide performed by a professional. Only use original parts. Allow the device to cool off before any maintenance or cleaning is undertaken.

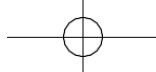
Check the dust collector daily for loose connections, damaged wires, worn switch, full collection canister, dirty filter cartridge/bag and any other unsafe condition.

Clean the equipment regularly with a damp cloth and some soft soap. Do not use cleaning agents or solvents; these could attack the plastic parts of the equipment. Ensure that no water can seep into the device. The ingress of water into an electric tool increases the risk of an electric shock.

Emptying Dust Canister

Check and empty the collection canister on your dust collector regularly. The machine operates at a much higher level of efficiency when the collection canister is empty.

1. Pull out handle of locking strap to release and remove locking strap.
2. Remove motor housing with filter cartridge/bag by lifting the top handle.
3. Empty chips and dust inside drum into a suitable receptacle. Dispose of properly.
4. Replace motor housing with filter cartridge/bag on to the collection canister and lock in place with the locking strap.



Changing Filter Bag and/or Cartridge

Check and clean the filter cartridge/bag regularly. Replace as needed.

1. Pull out handle of locking strap to release and remove locking strap.
2. Remove motor housing with filter cartridge/bag by lifting the top handle.
3. Slide filter cartridge with bag off motor.
4. Remove bag from cartridge. Place new bag over cartridge, folding the bag excess inside the cartridge.
5. Slide cartridge with new bag onto motor until snug.
6. Replace motor housing with filter cartridge/bag onto the collection canister and lock in place with the locking strap.

Lubrication

The sealed bearings in the motor have been permanently lubricated at the factory. They require no further lubrication.

TRANSPORT

Turn off the power tool before any transport and disconnect it from the power supply.

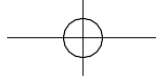
The machine must only be lifted and transported on its top handle. Never lift the machine at the suction hose or the power cord.

STORAGE

Store the equipment and accessories in a dark and dry place at above freezing temperature. The ideal storage temperature is between 5 and 30°C. Store the electric tool in its original packaging. Cover the electric tool in order to protect it from dust and moisture.

TROUBLE SHOOTING

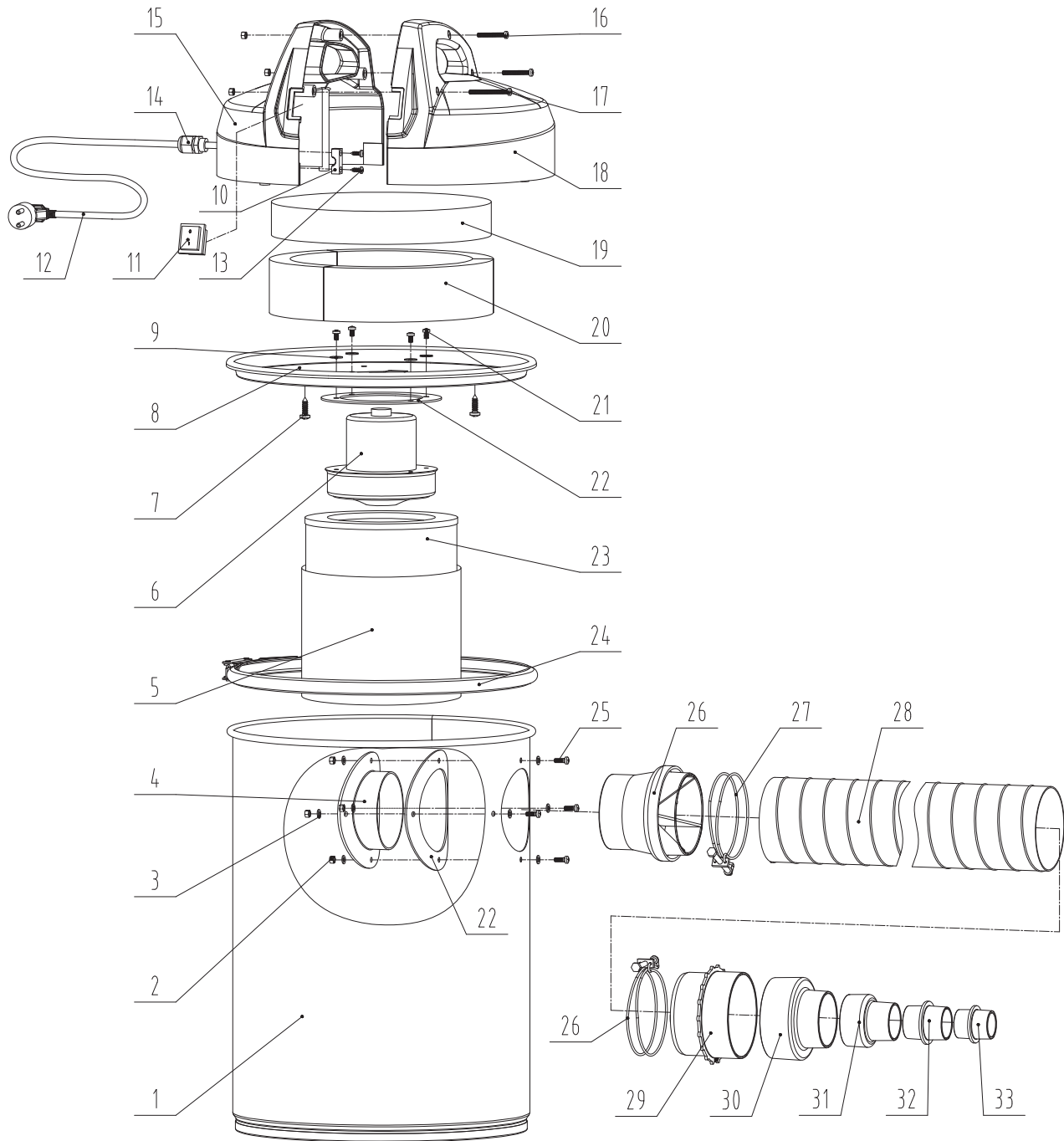
Problem	Cause	Remedy
Device will not start	<ol style="list-style-type: none"> 1. No mains voltage. Main circuit breaker is tripped 2. On switch (green) / Off Switch (red) (1) is broken 3. Motor faulty 	<ol style="list-style-type: none"> 1. Check the socket, mains supply cable, cord, mains plug; if necessary, repair the main fuse 2. Repair by Customer Care 3. Repair by Customer Care
Motor will not run	<ol style="list-style-type: none"> 1. Defective or broken switch 2. Defective or damaged power cord 3. Open circuit, loose connections, or burned out motor 4. Low voltage 	<ol style="list-style-type: none"> 1. Take to a qualified service technician 2. Take to a qualified service technician 3. Take to a qualified service technician 4. Check the power line for the proper voltage.
Motor slow to start or fails to reach full speed	<ol style="list-style-type: none"> 1. Burned or defective motor 2. Worn brushes 	<ol style="list-style-type: none"> 1. Check motor, replace if necessary 2. Inspect brushes, replace if necessary
Motor overheats	<ol style="list-style-type: none"> 1. Motor overload 2. Improper motor cooling 	<ol style="list-style-type: none"> 1. Reduce load by slowing dust production 2. Clean sawdust from motor
Tripping circuit breaker or fuses	<ol style="list-style-type: none"> 1. Motor overloaded 2. Improper capacity of circuit breaker or fuses 	<ol style="list-style-type: none"> 1. Reduce load by slowing dust production 2. Use proper capacity circuit breaker or fuse
Unit has vibration or noisy operation	<ol style="list-style-type: none"> 1. Motor or components are loose 2. Motor bearings faulty 	<ol style="list-style-type: none"> 1. Inspect/replace any stripped or damaged bolts/nuts and retighten 2. Take to a qualified service technician

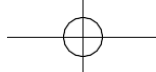


<p>Loud, repetitive noise or excessive vibration coming from dust collector</p>	<ol style="list-style-type: none"> 1. Dust collection canister is full 2. Filter cartridge/bag is dirty or damaged 3. Dust collector hose restricted 4. The extractor is wet and dust is not flowing through the hose smoothly 5. There is a leak in the hose 	<ol style="list-style-type: none"> 1. Empty collection canister 2. Clean filter cartridge/bag or replace 3. Remove hose from dust collector inlet and unblock the restriction in the hose. A plumbing snake may be necessary 4. Process lumber with less than 20% moisture content 5. Inspect and replace hose
<p>Motor stalls</p>	<ol style="list-style-type: none"> 1. Short circuit in motor 2. Incorrect fuses or circuit breakers 3. Overloaded circuit 4. Low Voltage 	<ol style="list-style-type: none"> 1. Take to a qualified service technician 2. Replace with correct fuse or circuit breaker for the circuit 3. Turn off other machines and retry 4. Check the power line for the proper voltage. Use another circuit or have a qualified electrician upgrade the service

GB

PARTS SCHEDULE



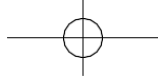


Parts List

GB

No.	Description	Q'ty
1	Drum	1
2	Nut M5	7
3	Flat Washer 5	8
4	Suction Inlet	1
5	Filter Bag	1
6	Motor	1
7	Philips Screw ST6.3x22	3
8	Top Cover	1
9	Large Flat Washer 5	3
10	Cord Press Block	1
11	Switch	1
12	Power Cord	1
13	Philips Screw ST4.2x13	2
14	Strain Relief M16	1
15	Left Guard	1
16	Philips Screw M5x35	2
17	Philips Screw M5x50	1

No.	Description	Q'ty
18	Right Guard	1
19	Circle Sponge	1
20	Long Sponge	3
21	Philips Screw M5x8	3
22	Seal Gasket	2
23	Filter Cartridge	1
24	Locking Strap	1
25	Philips Screw M5x14	4
26	Hose Coupling 2	1
27	Hose Clamp	2
28	Suction Hose	1
29	Hose Adaptor 1	1
30	Hose Adapter 2	1
31	Hose Adapter 3	1
32	Hose Adapter 4	1
33	Hose Adapter 5	1



CE DECLARATION OF CONFORMITY

TOOLSAVE

Unit C, Manders Ind. Est.,
Old Heath Road, Wolverhampton,
WV1 2RP.
Tel: 01902 450 470

Declares that the Dust Extractor

BD1100

Is in compliance with the regulations included in the Directives:2006/95/EC

EC DECLARATION OF CONFORMITY

Certificate for EC-type examination delivered by BV LCIE China, Building 4, No. 518, Xin Zhuan Road, CaoHejing Songjiang High-Tech Park, Shanghai 201612, China. (Verification No.:1666AF10WAR22482)

Person who declares: Bill Evans

CE

29/08/19

The Director

