



ORIGINAL INSTRUCTIONS

TABLE OF CONTENTS

Welcome to Lumberjack!

Dear Customer, Congratulations on your purchase. Before using the product for the first time please be sure to read these instructions for use.

They provide you with all information necessary for using the product safely and to ensure its long service life.

Closely observe all safety information in these instructions!

General Power Tool Safety Warnings.....	01
Symbols & Cable Rating Chart	05
Machine Details and Product Features.....	06
Assembly.....	08
Operation, Maintenance and Service.....	11
Lumberjack Guarantee.....	14
Declaration of Conformity.....	16
Parts List.....	17
Parts Diagram.....	19

GENERAL POWER TOOL SAFETY WARNINGS

WARNING Read all safety warnings and all instructions. Failure to follow the warnings and instructions may result in electric shock, fire and/or serious injury.

Save all warnings and instructions for future reference. The term "power tool" in the warnings refers to your electric (corded) power tool or battery-operated (cordless) power tool.

1. Work area safety

a) Keep work area clean and well lit. Cluttered or dark areas invite accidents.

b) Do not operate power tools in explosive atmospheres, such as in the presence of flammable liquids, gases or dust. Power tools create sparks which may ignite the dust or fumes.

c) Keep children and bystanders away while operating a power tool. Distractions can cause you to lose control.

2. Electrical safety

a) Power tool plugs must match the outlet. Never modify the plug in any way. Do not use any adapter plugs with grounded power tools. Unmodified plugs and matching outlets will reduce risk of electric shock.

b) Avoid body contact with grounded surfaces, such as pipes, radiators, ranges and refrigerators. There is an increased risk of electric shock if your body is grounded.

c) Do not expose power tools to rain or wet conditions. Water entering a power tool will increase the risk of electric shock.

d) Do not abuse the cord. Never use the cord for carrying, pulling or unplugging the power tool. Keep cord away from heat, oil, sharp edges or moving parts. Damaged or entangled cords increase the risk of electric shock.

e) When operating a power tool outdoors, use an extension cord suitable for outdoor use. Use of a cord suitable for outdoor use reduces the risk of electric shock.

f) If operating a power tool in a damp location is unavoidable, use a residual current device (RCD) protected supply. Use of an RCD reduces the risk of electric shock.

3. Personal safety

a) Stay alert, watch what you are doing and use common sense when operating a power tool. Do not use a power tool while you are tired or under the influence of drugs, alcohol or medication. A moment of inattention while operating power tools may result in serious personal injury.

b) Use personal protective equipment. Always wear eye protection. Protective equipment such as dust mask, non-skid safety shoes, hard hat, or hearing protection used for appropriate conditions will reduce personal injuries.

c) Prevent unintentional starting. Ensure the switch is in the off position before connecting to power source and/or battery pack, picking up or carrying the tool. Carrying power tools with your finger on the switch or energising power tools that have the switch on invites accidents.

d) Remove any adjusting key or wrench before turning the power tool on. A wrench or a key left attached to a rotating part of the power tool may result in personal injury.

GENERAL POWER TOOL SAFETY WARNINGS

e) Do not overreach. Keep proper footing and balance at all times. This enables better control of the power tool in unexpected situations.

f) Dress properly. Do not wear loose clothing or jewellery. Keep your hair, clothing and gloves away from moving parts. Loose clothes, jewellery or long hair can be caught in moving parts.

g) If devices are provided for the connection of dust extraction and collection facilities, ensure these are connected and properly used. Use of dust collection can reduce dust-related hazards.

4. Power tool use and care

a) Do not force the power tool. Use the correct power tool for your application. The correct power tool will do the job better and safer at the rate for which it was designed.

b) Do not use the power tool if the switch does not turn it on and off. Any power tool that cannot be controlled with the switch is dangerous and must be repaired.

c) Disconnect the plug from the power source and/or the battery pack from the power tool before making any adjustments, changing accessories, or storing power tools. Such preventive safety measures reduce the risk of starting the power tool accidentally.

d) Store idle power tools out of the reach of children and do not allow persons unfamiliar with the power tool or these instructions to operate the power tool. Power tools are dangerous in the hands of untrained users.

e) Maintain power tools. Check for misalignment or binding of moving parts, breakage of parts and any other condition that may affect the power tool's operation. If damaged, have the power tool repaired before use. Many accidents are caused by poorly maintained power tools.

f) Keep cutting tools sharp and clean. Properly maintained cutting tools with sharp cutting edges are less likely to bind and are easier to control.

g) Use the power tool, accessories and tool bits etc. in accordance with these instructions, taking into account the working conditions and the work to be performed. Use of the power tool for operations different from those intended could result in a hazardous situation.

5. Service

a) Have your power tool serviced by a qualified repair person using only identical replacement parts. This will ensure that the safety of the power tool is maintained.

b) If the replacement of the supply cord is necessary, this has to be done by the manufacturer or its agent in order to avoid a safety hazard.

6. Additional Safety and Working Instructions

a) Dusts from materials such as lead-containing coatings, some wood types, minerals and metals can be harmful to one's health and cause allergic reactions, leading to respiratory infections and/or cancer. Materials containing asbestos may only be worked by specialists. Observe the relevant regulations in your country for the materials to be worked.

GENERAL POWER TOOL SAFETY WARNINGS

b) Prevent dust accumulation at the workplace.

Dusts can easily ignite.

7 Additional Warnings for BELT / DISC SANDER

a) Do not operate the tool until it is completely assembled and installed according to the instructions.

b) Provide adequate general or localised lighting.

c) Before work, check that the machine is placed on an even surface with sufficient stability. For your own safety, always mount the machine to a work bench using bolts.

d) Keep the surrounding area of the machine well maintained and free of loose materials, such as chips and cut-offs.

e) Make sure the sanding belt is installed in the correct direction. See directional arrow on back of belt.

f) Always have the tracking adjusted properly so the belt does not run off the pulleys.

g) Do not use sanding belts or pads that are damaged, torn, or loose. Use only correct sized sanding belt and pad.

h) Always sand on the downward side of the sanding disc when using the disc sander. Sanding on the upward side of the disc can cause the workpiece to fly out of position, resulting in injury.

i) Never perform layout, assembly or set-up work on the table while the sander is operating.

j) Use clamps or a vise to hold work when practical.

k) To minimize risk of tipping machine, always support long workpiece.

l) Never sand more than one workpiece at a time. Do not stack more than one workpiece on the machine base at a time.

m) Do not sand with the workpiece unsupported. Do not sand pieces of material that are too small to be safely supported.

n) Avoid awkward operations and hand positions where a sudden slip could cause your hand to move into the sanding belt or disc.

o) Avoid kickback by sanding in accordance with directional arrows.

p) Always maintain a clearance of 1.6 mm between the work table and the machine.

q) Never stand or have any part of your body in line with the path of the workpiece.

r) Machine should never be connected to power supply when you are assembling parts, making adjustments, or when not in use.

s) Never leave the machine running unattended and do not leave tool until it has come to a complete stop.

t) If the power supply cord is damaged or otherwise defective, it must only be replaced by the manufacturer or by an authorised repair agent.

u) We recommend the use of a residual current device with a residual current rating of 30mA or less.

GENERAL POWER TOOL SAFETY WARNINGS

8. RESIDUAL RISKS

Even when the product is used as prescribed, it is still impossible to completely eliminate certain residual risk factors. The following hazards may arise and the operator should pay special attention to avoid the following:

- a) Risk of contact with sanding belt or disc.
- b) Burn hazard from contact with hot belt or disc or work piece.
- c) Damage to respiratory system if effective dust mask is not worn.
- d) Damage to hearing if effective hearing protection is not worn.

9. Using an Extension Cable.

- a) If an extension cable is required, use an approved triple core extension cable suitable for the power input of the tool.
- b) Grounded tools always require a three wire extension cable.
- c) As the distance from the supply outlet increases you must use a heavier gauge extension cable. Using extension cables with inadequately sized wire causes a serious drop in voltage, resulting in loss of power and possible tool damage.
- d) The smaller the gauge number of the wire the greater the capacity of the cord.
- f) When using a cable reel, always unwind the cable completely.

SYMBOLS AND POWER RATING CHART



Danger! – Read the operating instructions to reduce the risk of injury.



Caution! Wear safety goggles.



Caution! Wear ear defenders.



Caution! Risk of Injury! Do not reach into the running saw blade.



Caution! Wear a dust mask.

MACHINE DETAILS AND PRODUCT FEATURES

Machine Details

Specifications:

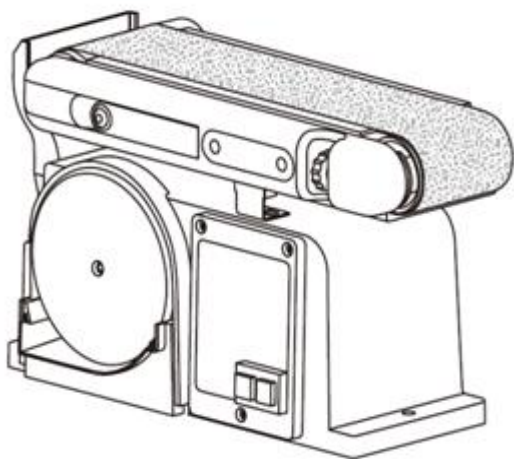
Mains Voltage -	230V / 50Hz
Power Consumption -	370W
Belt Size -	100mm x 914mm
Belt Speed -	7.5 m/s
Belt Tilt -	0° - 90°
Disc Size -	Ø 150mm
Disc Speed -	225mm x 158mm
Table Tilt -	0° - 45°
Gross Weight -	19.5kg
Nett Weight -	18.5kg

Intended Use

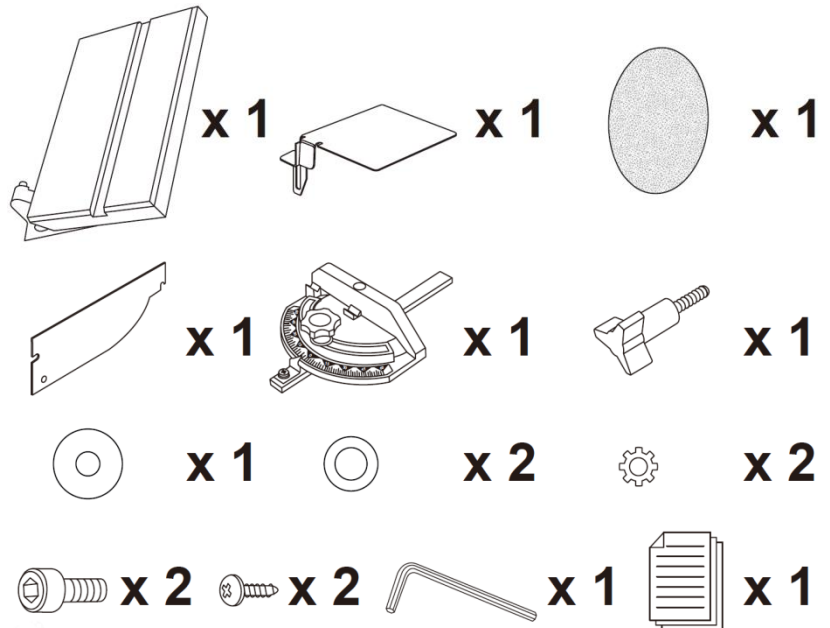
This power tool is intended to remove and collect wood shavings only. Any other use is considered as not intended use and any damages or injuries result from this unintended use is at operators own risk. This item is also not intended to be used for continuous production or production line use.

Package Contents:

Belt & Disc sander



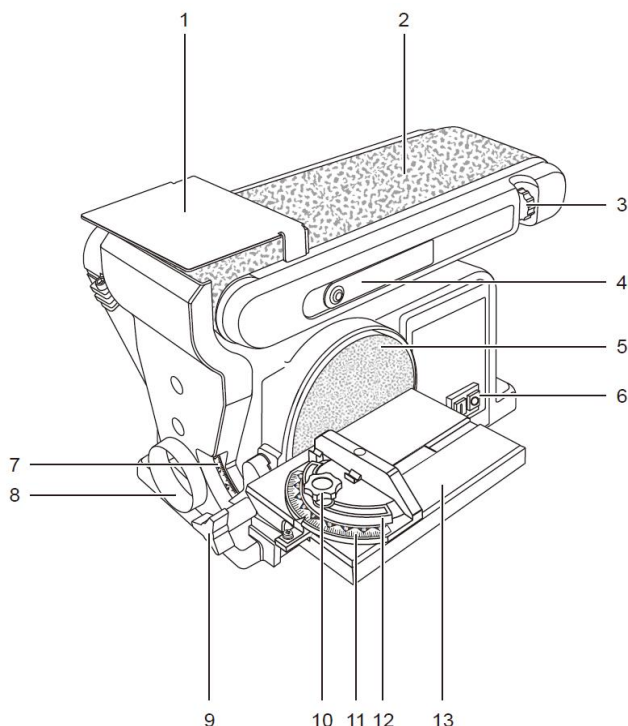
x 1



PRODUCT FEATURES & ASSEMBLY INSTRUCTIONS

Product Features

1. Sanding stopper
2. Sanding belt
3. Tracking control knob
4. Belt tension lever
5. Sanding pad
6. ON/OFF Switch
7. Bevel scale
8. Dust port
9. Table bevel angle adjustment knob
10. Mitre angle adjustment knob
11. Mitre scale
12. Mitre guide
13. Work table



Assembly

Avoid unintentional starting of the machine. During assembly and for all work on the machine, the power plug must not be connected to the mains supply.

Carefully remove all parts included in the delivery from their packaging.

Remove all packaging material from the machine and the accessories provided.

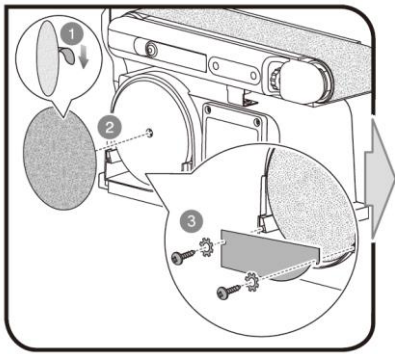
Before starting the operation of the machine for the first time, check if all parts listed in the box content section have been supplied

Note: Check the power tool for possible damage. Before further use of the machine, check that all protective devices are fully functional. Any lightly damaged parts must be carefully checked to ensure flawless operation of the tool. All parts must be properly mounted and all conditions fulfilled that ensure faultless operation.

Damaged protective devices and parts must be immediately replaced by an authorised service centre.

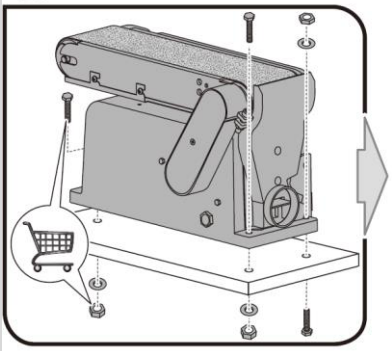
ASSEMBLY INSTRUCTIONS & OPERATION

1



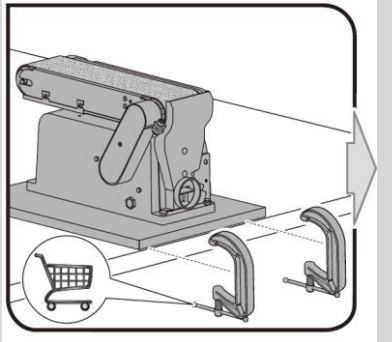
Installing
Sand Disc

2



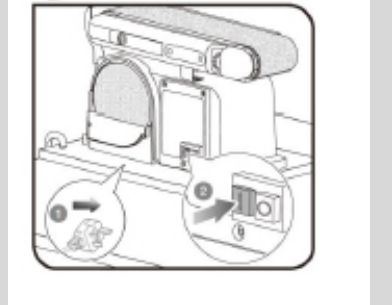
Fix to Mounting
Board
(not supplied)

3



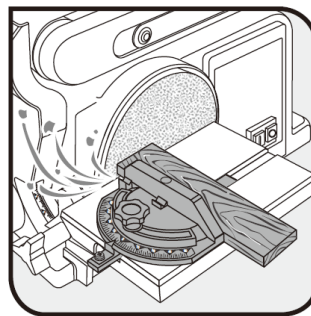
Clamp Mounting
Board to Work
Surface
(not supplied)

4

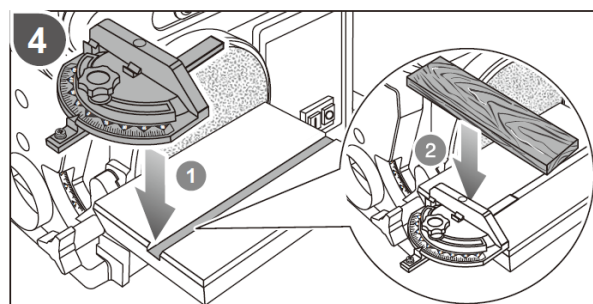
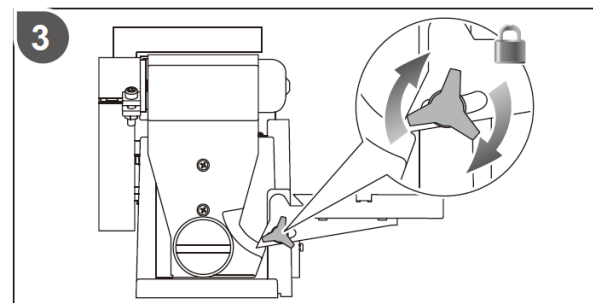
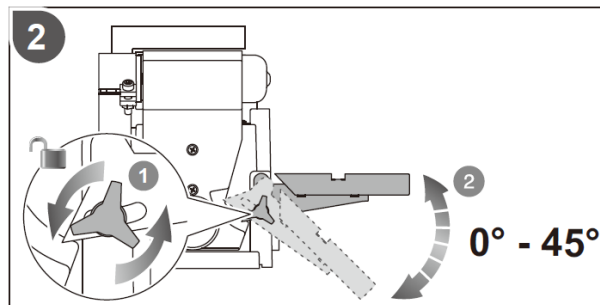
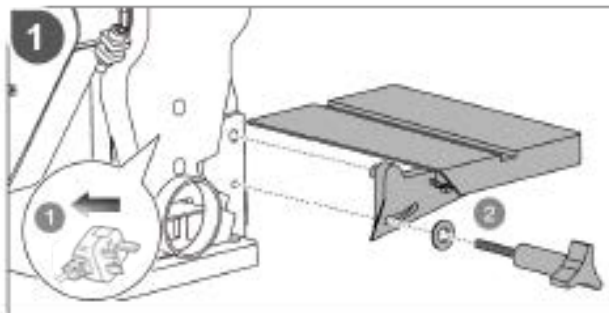


Ready for Use

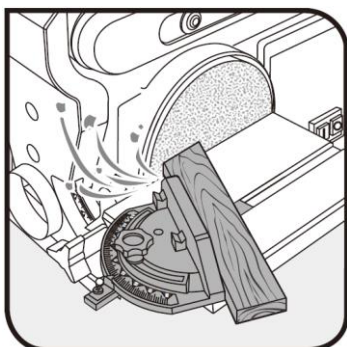
Operation



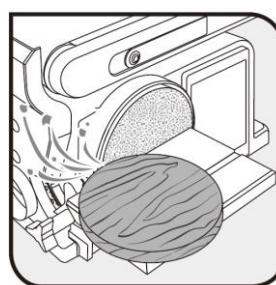
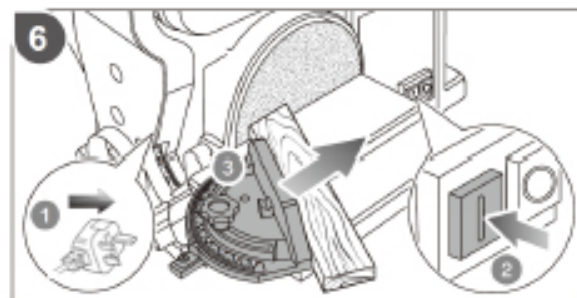
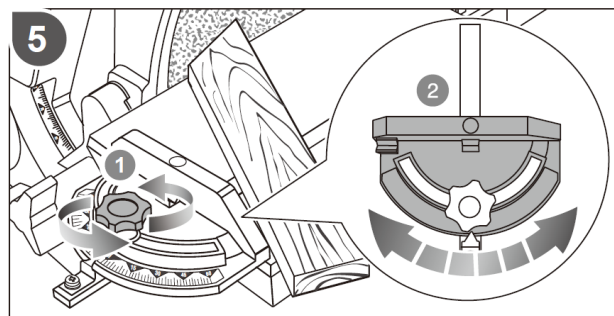
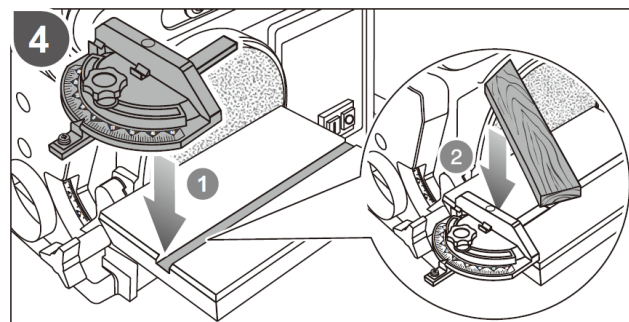
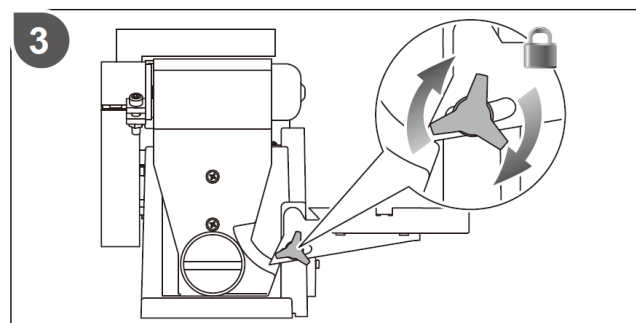
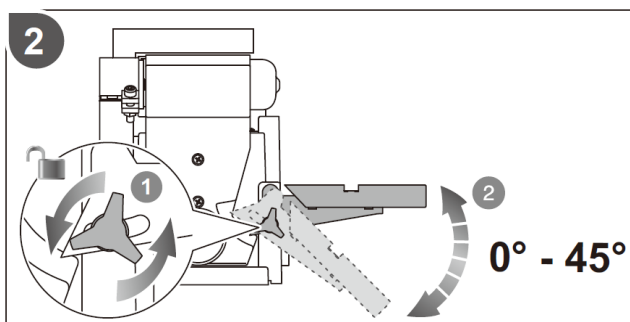
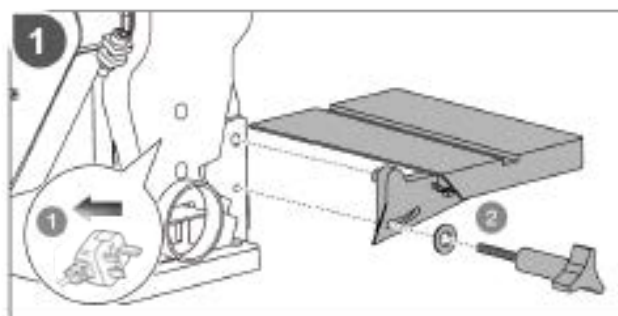
Adjusting Work Table



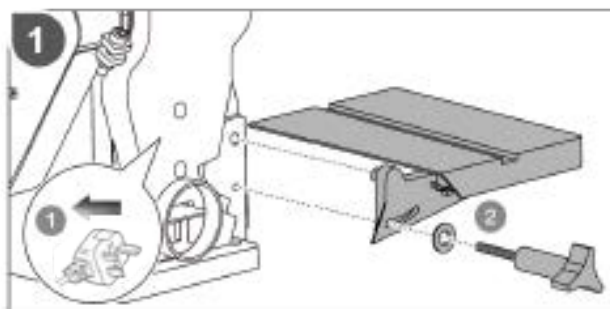
OPERATION



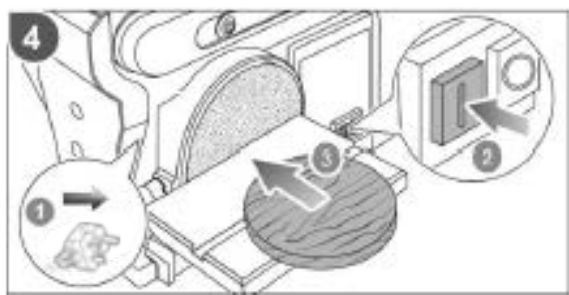
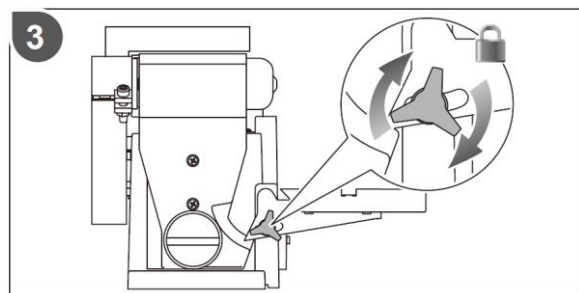
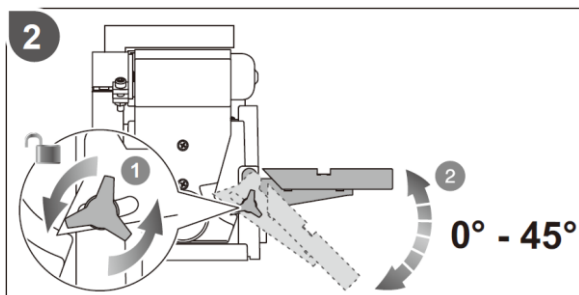
Sanding using
Mitre Gauge



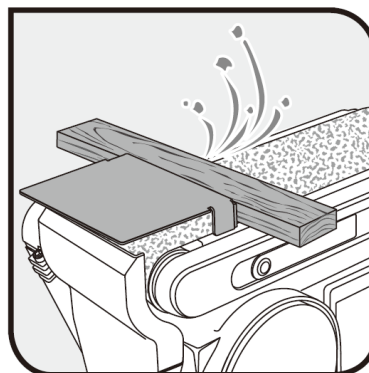
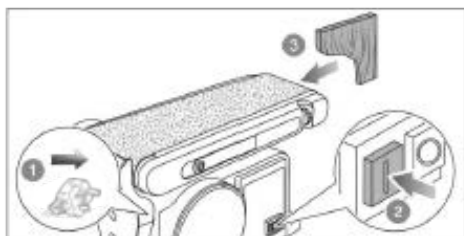
Sanding Outside Curves



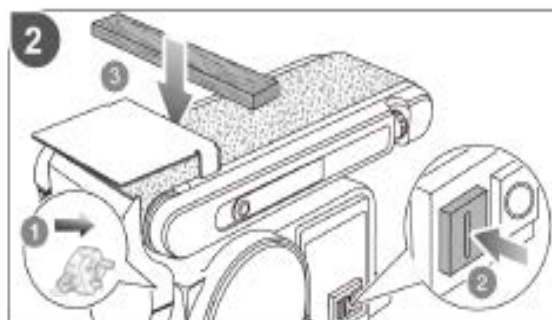
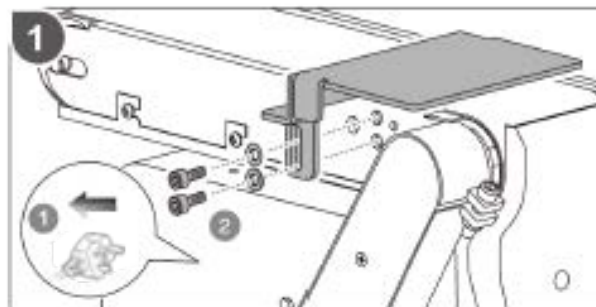
OPERATION

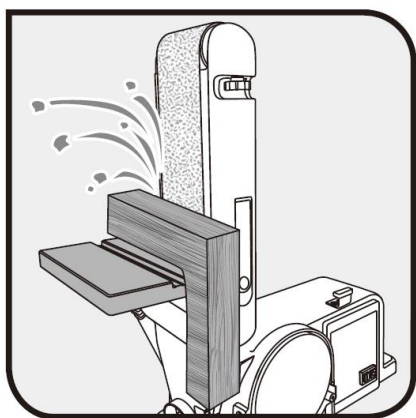


Sanding inside Curves

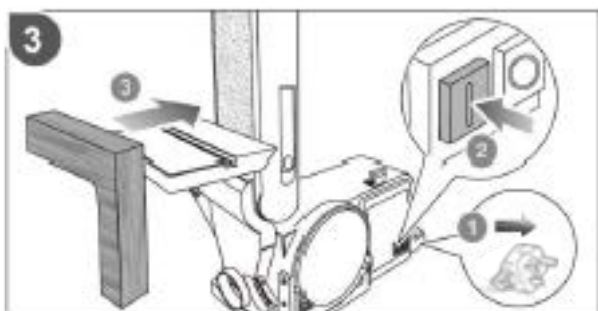
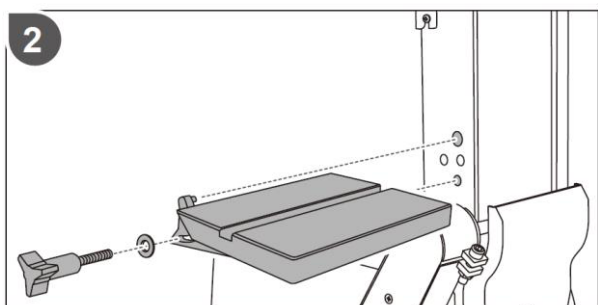
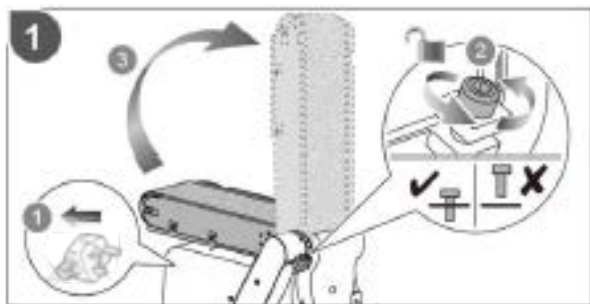


Surface Sanding





Vertical Sanding



Maintenance and Cleaning

Before any work on the belt & disc sander itself, pull the mains plug.

For safe and proper working, always keep the belt & disc sander and ventilation slots clean.

If the replacement of the supply cord is necessary, this has to be done by an authorised service agent in order to avoid a safety hazard.

If the belt and disc sander should fail despite the care taken in manufacturing and testing procedures, repair should be carried out by an authorised service centre.

Do not modify the product in any way or use accessories not approved by the manufacturer. Your safety and that of others may be compromised.

Do not use the product if any switches, guards or other functions does not work as intended. Return to an authorised service centre for professional repair or adjustment.

Do not make any adjustments whilst the product is running.

Always make sure the power plug has been removed from the mains power source before making adjustments, lubricating or when doing any maintenance on the product.

Before and after each use, check the product for damage or broken parts. Keep the product in top working condition by immediately replacing parts with spares approved by the manufacturer.

Clean out accumulated dust using a brush or vacuum cleaner. Do not use compressed air.

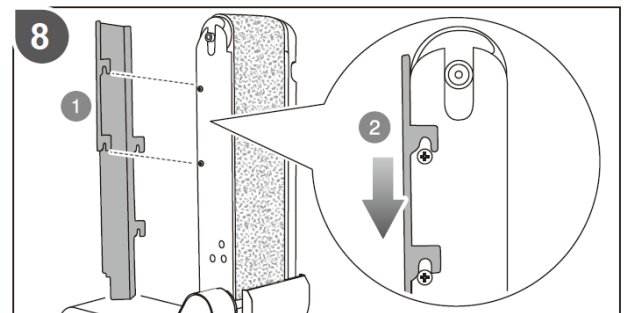
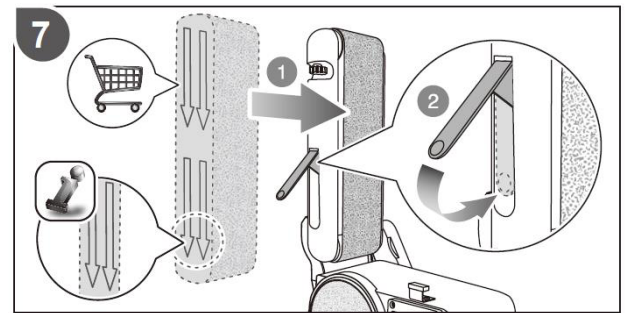
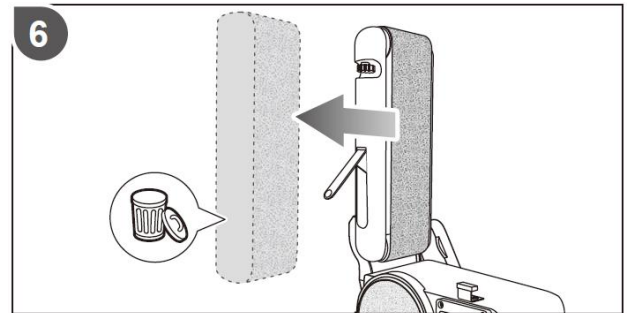
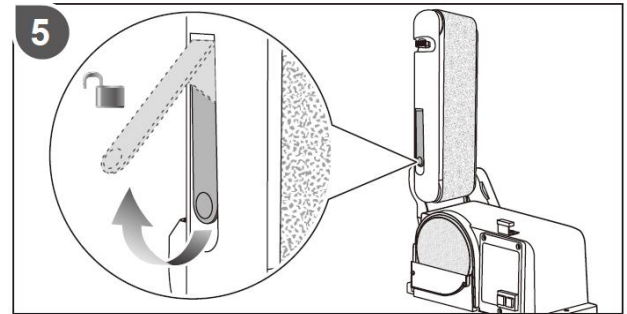
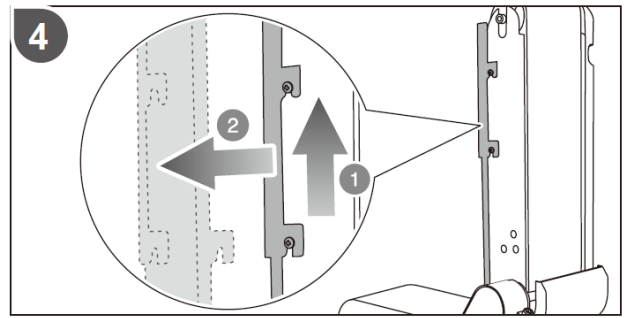
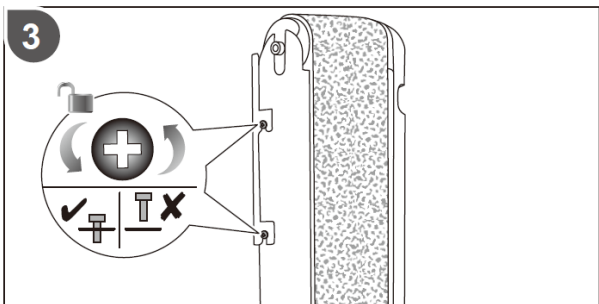
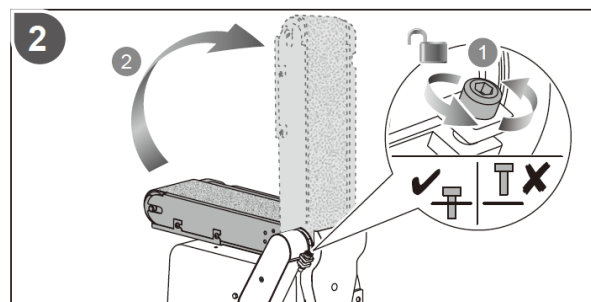
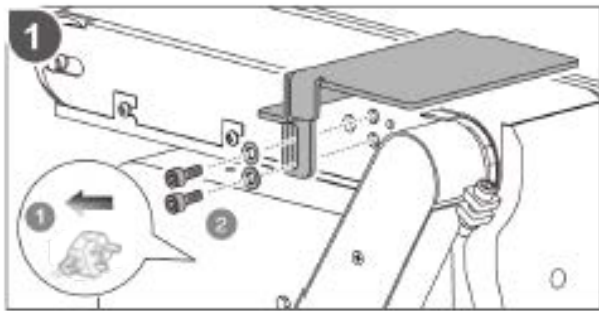
OPERATION

To assure safety and reliability, all repairs, including changing brushes, should be performed by an authorised service centre.

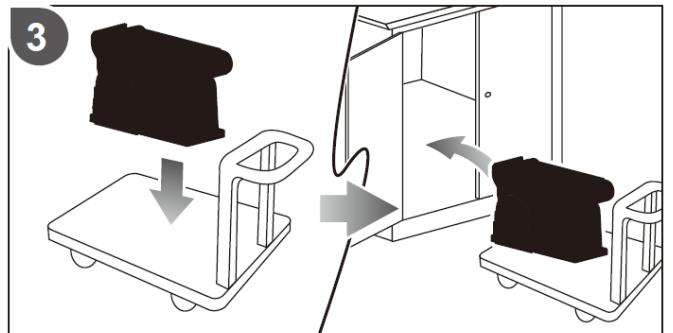
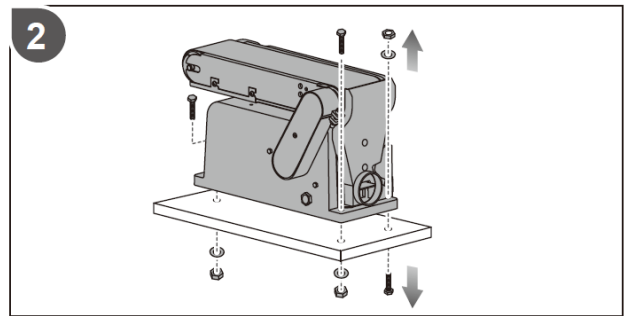
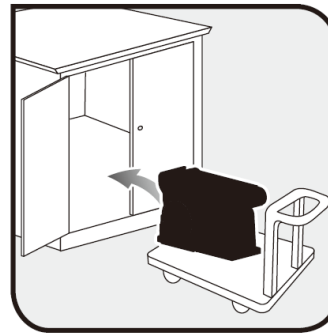
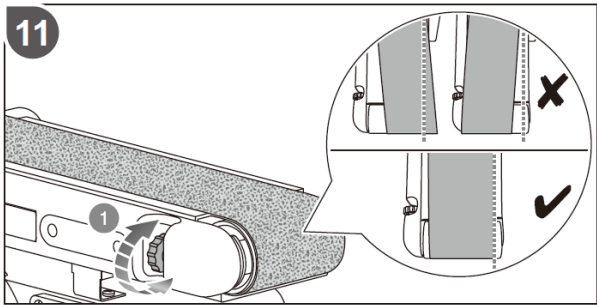
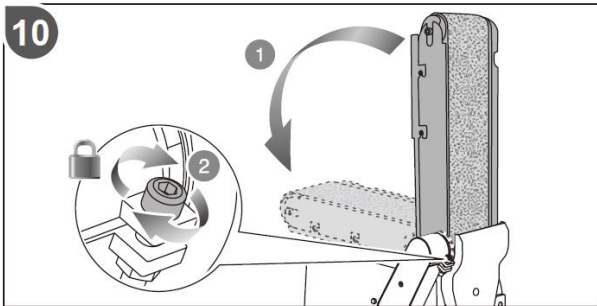
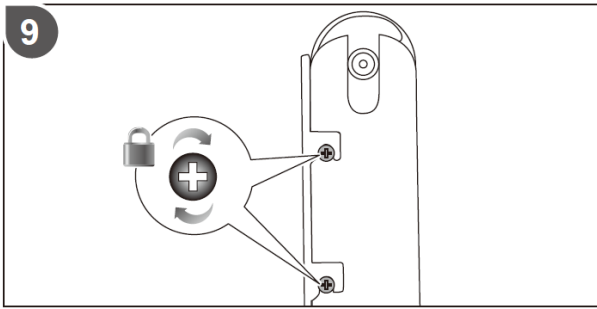
If the power supply cord is damaged, it must be replaced only by the manufacturer or by an authorised service centre to prevent damage to the saw or risk of electrocution.



Changing Sanding Belt



OPERATION



LUMBERJACK GUARANTEE

1. Guarantee

1.1 Lumberjack guarantees that for a period of 12 months from the date of purchase the components of qualifying products (see clauses 1.2.1 to 1.2.8) will be free from defects caused by faulty construction or manufacture.

1.2. During this period Lumberjack, will repair or replace free of charge any parts which are proved to be faulty in accordance with paragraph 1.1 providing that:

1.2.1 You follow the claims procedure set out in clause 2

1.2.2 Lumberjack and its authorised dealers are given reasonable opportunity after receiving notice of the claim to examine the product

1.2.3 If asked to do so by Lumberjack or its Authorised dealer, you return the product at your own cost to Lumberjack's or supplying Authorised Dealer's premises, for the examination to take place clearly stating the Returns Material Authorisation number given by Lumberjack or an Authorised Dealer.

1.2.4 The fault in question is not caused by industrial use, accidental damage, fair wear and tear, wilful damage, neglect, incorrect electrical connection, misuse, or alteration or repair of the product without approval.

1.2.5 The product has been used in a domestic environment only

1.2.6 The fault does not relate to consumable items such as blades, bearings, drive belts, or other wearing parts which can reasonably be expected to wear at different rates depending on usage.

1.2.7 The product has not been used for hire purposes.

1.2.8 The product has been purchased by you as the guarantee is not transferable from a private sale.

2. Claims Procedure

2.1 In the first instance please contact the Authorised Dealer who supplied the product to you. In our experience many initial problems with machines that are thought to be faulty due to faulty parts are actually solved by correct setting up or adjustment of the machine. A good Authorised Dealer should be able to resolve the majority of these issues much more quickly than processing a claim under the guarantee. If a return is requested by the Authorised Dealer or Lumberjack, you will be provided with a Returns Material Authorisation number which must be clearly stated on the returned package, and any accompanying correspondence. Failure to provide a Returns Material Authorisation number may result in item being refused delivery at Authorised Dealer.

2.2 Any issues with the product resulting in a potential claim under the guarantee must be reported to the Authorised Dealer from which it was purchased within 48 hours of Receipt.

2.3 If the Authorised Dealer who supplied the product to you has been unable to satisfy your query, any claims made under this Guarantee should be made directly to Lumberjack. The Claim itself should be made in a letter setting out the date and place of purchase, giving a brief explanation of the problem which has led to the claim. This letter should be then sent with proof

LUMBERJACK GUARANTEE

of purchase to Lumberjack. If you include a contact number with this it will speed your claim up.

2.4 Please note that it is essential that the letter of claim reaches Lumberjack on the last day of this Guarantee at the latest. Late claims will not be considered.

3. Limitation of Liability

3.1 We only supply products for domestic and private use. You agree not to use the product for any commercial, business or resale purposes and we have no liability to you for any loss of profit, loss of business, business interruption or loss of business opportunity.

3.2 This Guarantee does not confer any rights other than these expressly set out above and does not cover any claims for consequential loss or damage. This Guarantee is offered as an extra benefit and does not affect your statutory rights as a consumer.

4. Notice

This Guarantee applies to all product purchased from an Authorised Dealer of Lumberjack within the United Kingdom. Terms of Guarantee may vary in other countries.

CE DECLARATION OF CONFORMITY

TOOLSAVE

Unit C, Manders Ind. Est.,
Old Heath Road, Wolverhampton,
WV1 2RP.
Tel: 01902 450 470

Declares that the Belt & Disc Sander(BD370)

Is in compliance with the regulations included in the Directives:2006/42/EC

EC DECLARATION OF CONFORMITY

Certificate for EC-type examination delivered by Intertek Testing Services Ltd.,Shanghai,Building
No.86,1198 Qinzhou Road(North),Caohejing Development Zone,Shanghai 200233,China. (Verification
No.:V131101555SHA-V1)

Person who declares: Bill Evans

CE

25/08/2020

The Director



Parts List

No.	Description	No.	Description
1	Phillips screw + flat washer	30	Phillips screw (white)
2	Base plate	31	Hex head bolt +Big Flat Washer(Black)
3	Phillips Screw +spring washer +flat washer Assembly	32	Big flat washer(black)
4	Toothed lock washer	33	Work table support
5	Self tapping screw (Black)	34	Mitre gauge handle
6	Disc cover	35	Work table
7	Disc paper	36	Mitre gauge bar
8	Inner hex screw + Toothed lock washer(Black)	37	Mitre gauge angle point
9	Disc	38	Mitre gauge
10	Sanding disc plastic guard	39	Switch
11	Switch plastic guard	40	Spring
12	Phillips screw(black)	41	Bushing
13	Phillips Screw +spring washer (White)	42	Belt tension assembly
14	Tension lever Assembly	43	Block retaining ring for shaft
15	Screw sleeve	44	Bearing
16	Phillips Screw +Toothed lock washer+Big Flat Washer(Black)	45	Idler roller assembly
17	Base	46	Idler shaft
18	Inner hex wrench	47	Phillips screw
19	Wire Connection box cover	48	Capacitor support II
20	Self tapping screw (Black)	49	Capacitor
21	Relay	50	Hex nut (white)
22	Spring	51	Sanding belt
23	Pin	52	Inner hex screw + Flat Washer (Black)
24	Pin shaft	53	Belt support
25	Phillips Screw +spring washer +flat washer (White)	54	Phillips screw(black)
26	Phillips screw(black)	55	Bearing base
27	Hex nut	56	Belt Tracking knob
28	Capacitor	57	Rubber washer
29	Capacitor support I	58	Tracking spring

Parts List

No.	Description	No.	Description
59	Frame assembly	77	Strain relief assembly II
60	Work pieces stop	78	Strain relief assembly III
61	Drive roller	79	Phillips screw (black)
62	Inner hex screw (Black)	80	Dust cover
63	Drive shaft	81	Front end bell
64	Bearing cap	82	Phillips screw(white)
65	Frame cocer	83	Bushing washer
66	Ph Hd screw M5x10	84	Bearing
67	Cog Belt guard cover	85	Stator
68	Ph Hd screw +Lock washer(Black)	86	Rotor
69	Driving pulley	87	Wave washer Ø35
70	Cog belt	88	Rear End Bell
71	Idler wheel	89	Spring washer Ø6
72	Phillips Screw +spring washer +flat washer(Black)	90	Hex Net (White)
73	Inner Hex head bolt	91	Hex head bolt+Spring washer (Black)
74	Drive belt cover	92	Phillips Screw (Black)
75	Hex nut (black)	93	Power Cord
76	Strain relief assembly I	94	Protective board

Parts Diagram

